

PACEL™

Bipolar Pacing Catheters

Unshrouded/exposed pin models*



*Available for sale in select OUS geographies.

Information contained herein for DISTRIBUTION outside of the U.S. ONLY. Check the regulatory status of the device in areas where CE marking is not the regulation in force.

©2023 Abbott. All rights reserved. MAT-2112150 v3.0



TABLE OF CONTENTS

Torque Control

PACEL™ Bipolar Pacing Catheter, Ventricular Pacing 60 Degree Curve	3
PACEL™ Bipolar Pacing Catheter, Ventricular Pacing with Right Heart Curve	4
PACEL™ Bipolar Pacing Catheter, Atrial “J” Pacing	5

Flow Directed

PACEL™ Bipolar Pacing Catheter, Straight	6
PACEL™ Bipolar Pacing Catheter, Right Heart Curve	7

Bipolar Pacing Accessories

Epicardial Cable	8
Patient Cable	9
Threshold Cable	10

Information contained herein for DISTRIBUTION outside of the U.S. ONLY. Check the regulatory status of the device in areas where CE marking is not the regulation in force.

VENTRICULAR PACING 60 DEGREE CURVE

Torque Control

Product Highlights

- Designed to provide pacing and sensing in the ventricle from the superior vena cava approach
- Designed to balance maneuverability and mechanical stability
- Solid core enables user to customize the curve
- 10 cm depth markers to enhance placement
- Smooth, hemocompatible polyurethane coating
- Stainless steel center conductor and electrodes
- Clearly marked terminals
- Unshrouded/exposed pin connector leads

Ordering Information

Contents: Pacing Catheter and ECG Adapter (5 units per box)

Kit Contents: Pacing Catheter, ECG Adapter and Needle Peel-Away Introducer (1 unit per box)

PART NUMBER	FRENCH SIZE	ELECTRODE SPACING (CM)	USABLE LENGTH (CM)	RECOMMENDED INTRODUCER SIZE (F)
401664	4	1	110	4
401686	5	2.5	110	5
401665	5	1	110	5
401641 (Kit)	5	1	110	5
401666	6	1	110	6
401642 (Kit)	6	1	110	6
401672	7	1	110	7



Data on file at Abbott.

Information contained herein for DISTRIBUTION outside of the U.S. ONLY. Check the regulatory status of the device in areas where CE marking is not the regulation in force.

VENTRICULAR PACING WITH RIGHT HEART CURVE

Torque Control

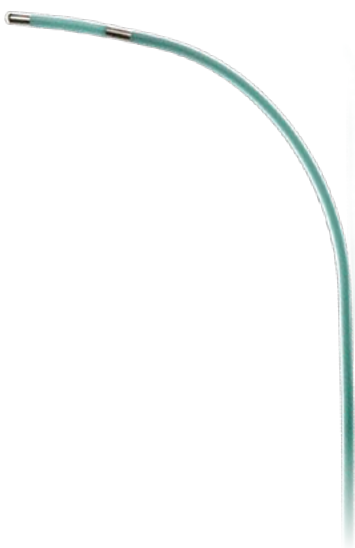
Product Highlights

- Designed to provide pacing and sensing in the ventricle from the inferior vena cava approach
- Designed to balance maneuverability and mechanical stability
- Solid core enables user to customize the curve
- 10 cm depth markers to enhance placement
- Smooth, hemocompatible polyurethane coating
- Stainless steel center conductor and electrodes
- Clearly marked terminals
- Unshrouded/exposed pin connector leads

Ordering Information

Contents: Pacing Catheter and ECG Adapter (5 units per box)

PART NUMBER	FRENCH SIZE	ELECTRODE SPACING (CM)	USABLE LENGTH (CM)	RECOMMENDED INTRODUCER SIZE (F)
401673	4	1	110	4
401674	5	1	110	5
401675	6	1	110	6



Data on file at Abbott.

Information contained herein for DISTRIBUTION outside of the U.S. ONLY. Check the regulatory status of the device in areas where CE marking is not the regulation in force.

©2023 Abbott. All rights reserved. MAT-2112150 v3.0

ATRIAL “J” PACING Torque Control

Product Highlights

- Designed to provide pacing and sensing in the right atrium from the superior vena cava approach
- Designed to balance maneuverability and mechanical stability
- Solid core enables user to customize the curve
- 10 cm depth markers to enhance placement
- Smooth, hemocompatible polyurethane coating
- Stainless steel center conductor and electrodes
- Clearly marked terminals
- Unshrouded/exposed pin connector leads

Ordering Information

Contents: Pacing Catheter and ECG Adapter (5 units per box)

PART NUMBER	FRENCH SIZE	ELECTRODE SPACING (CM)	USABLE LENGTH (CM)	RECOMMENDED INTRODUCER SIZE (F)
401680	5	1	110	5



Data on file at Abbott.

Information contained herein for DISTRIBUTION outside of the U.S. ONLY. Check the regulatory status of the device in areas where CE marking is not the regulation in force.

STRAIGHT Flow Directed

Product Highlights

- Designed to provide temporary pacing from the superior vena cava approach
- Flexible design for delicate placement of catheter
- 10 cm depth markers to enhance placement
- Smooth, hemocompatible polyurethane surface
- Clearly marked terminals
- Unshrouded/exposed pin connector leads

Ordering Information

Contents: Pacing Catheter, Syringe and ECG Adapter (1 unit per box)

Kit Contents: Pacing Catheter, Syringe, ECG Adapter and Needle Peel-Away Introducer (1 unit per box)

PART NUMBER	FRENCH SIZE	ELECTRODE SPACING (CM)	USABLE LENGTH (CM)	RECOMMENDED INTRODUCER SIZE (F)
401615	5	1	110	6
401616 (Kit)	5	1	110	6



Data on file at Abbott.

Information contained herein for DISTRIBUTION outside of the U.S. ONLY. Check the regulatory status of the device in areas where CE marking is not the regulation in force.

©2023 Abbott. All rights reserved. MAT-2112150 v3.0

RIGHT HEART CURVE

Flow Directed

Product Highlights

- Designed to provide temporary pacing from the inferior vena cava approach
- Flexible design for delicate placement of catheter
- 10 cm depth markers to enhance placement
- Smooth, hemocompatible polyurethane surface
- Clearly marked terminals
- Unshrouded/exposed pin connector leads

Ordering Information

Contents: Pacing Catheter, Syringe and ECG Adapter (1 unit per box)

Kit Contents: Pacing Catheter, Syringe, ECG Adapter and Needle Peel-Away Introducer (1 unit per box)

PART NUMBER	FRENCH SIZE	ELECTRODE SPACING (CM)	USABLE LENGTH (CM)	RECOMMENDED INTRODUCER SIZE (F)
401623	5	1	110	6
401624 (Kit)	5	1	110	6



Data on file at Abbott.

Information contained herein for DISTRIBUTION outside of the U.S. ONLY. Check the regulatory status of the device in areas where CE marking is not the regulation in force.

©2023 Abbott. All rights reserved. MAT-2112150 v3.0

EPICARDIAL CABLE

Bipolar Pacing Accessories

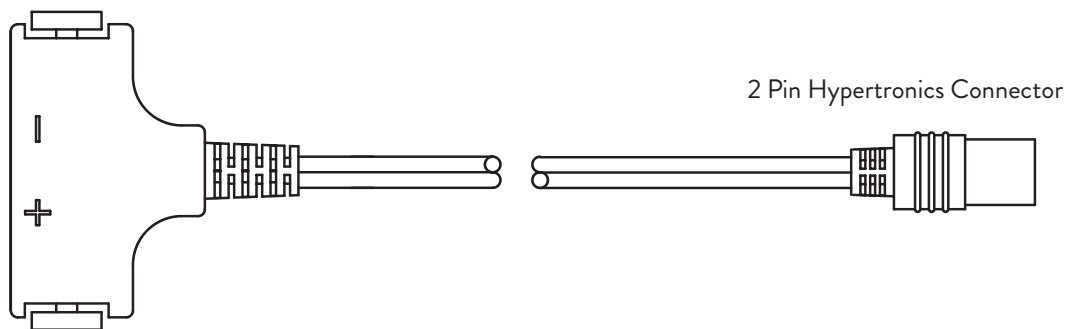
Product Highlights

- Designed to provide a connection between an external pulse generator or pacing system analyzer and the epicardial (myocardial) wire(s)
- Reusable (sterilizable up to 10 times)
- Thumb wheel screw connections
- Recessed receptacle ports

Ordering Information

Contents: Epicardial Cable and Pin Adapters (5 units per box)

REORDER NUMBER	DESCRIPTION	USABLE LENGTH
401777*	2 Pin Hypertronics Connector	2.4 meters (8 feet) – Yellow



Data on file at Abbott.

* Compatible with External Pulse Generators (EPGs) containing a 2-pin Hypertronics receptacle.

Information contained herein for DISTRIBUTION outside of the U.S. ONLY. Check the regulatory status of the device in areas where CE marking is not the regulation in force.

©2023 Abbott. All rights reserved. MAT-2112150 v3.0

PATIENT CABLE

Bipolar Pacing Accessories

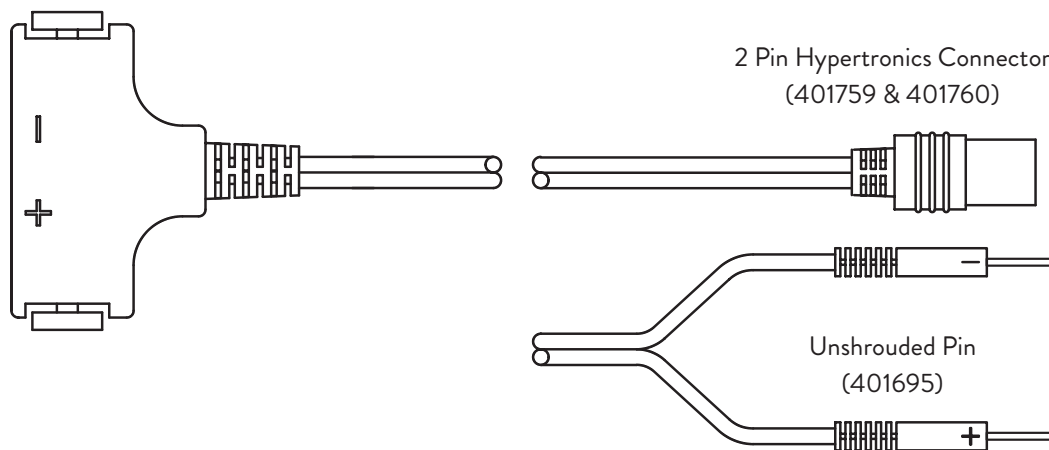
Product Highlights

- Designed to provide a connection between the external pulse generator or pacing system analyzer and the pacing catheter(s) and to provide the ability to extend the distance between the pacing leads and the pacing device.
- Reusable (sterilizable up to 10 times)
- Thumb wheel screw connections
- Recessed receptacle ports

Ordering Information

Contents: Patient Cable (5 units per box)

REORDER NUMBER	DESCRIPTION	USABLE LENGTH
401695^	Unshrouded Pins	2.4 meters (8 feet) – Black
401759*	2 Pin Hypertronics Connector	2.4 meters (8 feet) – White
401760*	2 Pin Hypertronics Connector	2.4 meters (8 feet) – Blue



Data on file at Abbott.

^ Compatible with External Pulse Generators (EPGs) containing unshrouded pin receptacles.

* Compatible with External Pulse Generators (EPGs) containing a 2-pin Hypertronics receptacle.

Information contained herein for DISTRIBUTION outside of the U.S. ONLY. Check the regulatory status of the device in areas where CE marking is not the regulation in force.

THRESHOLD CABLE

Bipolar Pacing Accessories

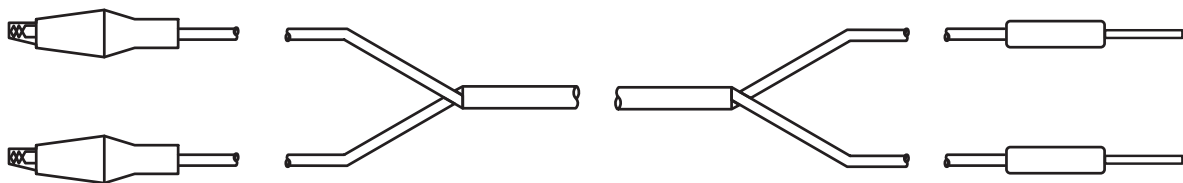
Product Highlights

- Designed to provide a connection between the external pulse generator or pacing system analyzer and the pacing catheter(s) or permanent pacing leads during threshold testing
- Reusable (sterilizable up to 10 times)
- 8 foot usable length
- Unshrouded/exposed pin connector leads

Ordering Information

Contents: Threshold Cable (5 units per box)

REORDER NUMBER	DESCRIPTION	USABLE LENGTH
401690	Unshrouded Pins	2.4 meters (8 feet) – Black



Data on file at Abbott.

CAUTION: These products are intended for use by or under the direction of a physician. Prior to use, reference the Instructions for Use, inside the product carton (when available) or at vascular.eifu.abbott or at medical.abbott/manuals for more detailed information on Indications, Contraindications, Warnings, Precautions and Adverse Events. This material is intended for use with healthcare professionals only.

Information contained herein for DISTRIBUTION outside of the U.S. ONLY. Check the regulatory status of the device in areas where CE marking is not the regulation in force.

Illustrations are artist’s representations only and should not be considered as engineering drawings or photographs. Photos on file at Abbott.

Abbott International BVBA
 Park Lane, Culliganlaan 2B, 1831 Diegem, Belgium, Tel: 32.2.714.14.11

™ Indicates a trademark of the Abbott Group of Companies.

www.cardiovascular.abbott

©2023 Abbott. All rights reserved. MAT-2112150 v3.0

