

2019 U.S.
ELECTROPHYSIOLOGY
PRODUCT CATALOG

A – ABLATION THERAPY

Ablation Catheter Curve Reference Charts.....	A.3-A.16
Standard Ablation Catheters	
Livewire™ TC Ablation Catheters.....	A.17-A.19
Safire™ Ablation Catheters.....	A.20-A.21
Safire™ TX Ablation Catheters.....	A.22
Therapy™ Ablation Catheters.....	A.23-A.26
Sensor Enabled™ Ablation Catheters	
FlexAbility™ Ablation Catheters, Sensor Enabled™.....	A.27
Irrigated Ablation Catheters	
FlexAbility™ Ablation Catheters.....	A.28
TactiCath™ Contact Force Ablation Catheter, Sensor Enabled™.....	A.29
TactiCath™ Quartz Contact Force Ablation Catheters.....	A.30
Therapy™ Cool Path™ Ablation Catheters.....	A.31
Hardware	
Ampere™ RF Ablation Generator.....	A.32
Cool Point™ Irrigation Pump.....	A.33
TactiSys™ Quartz Equipment.....	A.34
Service Plans.....	A.35
Connecting Cables	
Connecting Cables for Livewire™ TC Ablation Catheters.....	A.36
Connecting Cables for Safire™ Ablation Catheters.....	A.37
Connecting Cables for Safire™ TX Ablation Catheters.....	A.38
Connecting Cables for Therapy™ Ablation Catheters.....	A.39

B – ACCESS

EP Short Introducers	
Fast-Cath™ Hemostasis Introducers.....	B.3-B.4
Fast-Cath™ Duo Hemostasis Introducers.....	B.5-B.6
Fast-Cath™ Trio Hemostasis Introducers.....	B.7-B.8
SJM™ Peel-Away Introducers	
SJM™ Peel-Away Introducers.....	B.9-B.11
EP Guiding Introducers, Right Side Access	
Cath-Lock™ Locking Hub Guiding Introducer.....	B.12
Swartz™ SR™ Series Guiding Introducers.....	B.13-B.14
RAMP™ Series Guiding Introducers.....	B.15
SAFL™ Series Guiding Introducers.....	B.16
SEPT™ Series Guiding Introducers.....	B.17
CSTA™ Series Guiding Introducers.....	B.18
Specialty Curve Series 8 F, 10 F Guiding Introducers.....	B.19
EP Epicardial Access	
Epicardial Catheter System.....	B.20
EP Transseptal Access	
Agilis™ NxT Steerable Guiding Introducers.....	B.21-B.25
Swartz™ Braided Transseptal Series Guiding Introducers (SL™ and LAMP™).....	B.26-B.29
Swartz™ SL™ Series Guiding Introducers.....	B.30-B.32
“Mullins” Style Guiding Introducers.....	B.33-B.35
Adaptor.....	B.36
BRK™ and BRK™ XS Transseptal Needles.....	B.37-B.38

C – DIAGNOSTIC

Fixed Diagnostic Catheters (Response,™ Supreme™)

Curve Reference C.3
 4 F Catheters C.4-C.6
 5 F Catheters C.7-C.12
 6 F Catheters C.13-C.23
 7 F Catheters C.24

Steerable Diagnostic Catheters (Livewire,™ Inquiry™)

Curve Reference C.25-C.30
 4 F Catheters C.31-C.32
 5 F Catheters C.33-C.41
 6 F Catheters C.42-C.49
 7 F Catheters C.50-C.61

Circular Mapping Catheters (Advisor™ FL , Advisor™ VL, Reflexion Spiral,™ Inquiry,™ Inquiry Optima™)

Fixed Radius Circular Mapping Catheters C.62-C.66
 Variable Radius Circular Mapping Catheters C.67-C.71

Connecting Cables and Adapters (Reflexion,™ Supreme,™ Inquiry™)

Sensor Enabled™ Diagnostic Connecting Cables C.72
 Inquiry™ Diagnostic Connecting Cables C.73
 Diagnostic Connecting Cables: Livewire,™ Reflexion™ HD, Reflexion Spiral™ Response™ C.74
 Supreme™ Diagnostic Connecting Cables C.75

D – ADVANCED MAPPING CATHETERS

HD Mapping Catheters

Advisor™ HD Grid Mapping Catheters, Sensor Enabled™ D.3
 Inquiry™ Electrophysiology Catheters D.4
 Reflexion™ HD High Density Catheter D.5
 Livewire™ Electrophysiology Catheters D.6

Advanced Mapping Catheter Connecting Cables

Diagnostic Connecting Cables: Livewire™, Reflexion™ HD D.7

Fixed and Steerable Diagnostic Connecting Cable

Inquiry™ Diagnostic Connecting Cable D.8
 Advisor™ HD Grid Mapping Catheter, Sensor Enabled™ D.9

E – INTRACARDIAC IMAGING

Intracardiac Echocardiography (ICE)

ViewMate™ Ultrasound Console E.3
 ViewFlex™ Xtra ICE Catheters E.4

F – MAPPING, VISUALIZATION AND HD MONITOR

Cardiac Mapping System

EnSite Precision™ Cardiac Mapping System F.3
 Expansion Modules for Legacy EnSite™ Velocity™ Cardiac Mapping System F.4

HD Monitor

VantageView™ System F.5

Extended Service Plans

Abbott’s Assurance™ Plus Service and Technology Programs F.6

G – RECORDING AND MONITORING

WorkMate Claris™ System

WorkMate Claris™ System	G.3
EP-4™ Cardiac Stimulator	G.4
WorkMate™ Scribe™ Module	G.5
WorkMate™ Unity™ Module	G.6
WorkMate™ ImageSync™ Advanced Image Acquisition Module	G.7
EnSite™ Derexi™ Module	G.8

Cables and Components – WorkMate Claris™ and WorkMate™ Scribe™ Systems	G.9-G.10
---	-----------------

EP-WorkMate™ Recording System

EP-4™ Cardiac Stimulator	G.11
EP-WorkNet™ EP-WorkMate™ Networking Systems	G.12
LinkMate™ Advanced Image Acquisition Module	G.13
Expansion Module EnSite™ Derexi™ Module	G.14
EP-WorkMate™ Recording System Upgrades	G.15

Cables and Components – EP-WorkMate™ Systems	G.16-G.21
---	------------------

Warranty Programs

Technical Service and Support Abbott’s Assurance Service and Technology Program	G.22
---	------

Devices

Confirm Rx™ Insertable Cardiac Monitor	G.23
--	------

TABLE OF CONTENTS

ABLATION THERAPY

Ablation Catheter Curve Reference Charts. A.3-A.16

Standard Ablation Catheters

Livewire™ TC Ablation Catheters. A.17-A.19

Safire™ Ablation Catheters. A.20-A.21

Safire™ TX Ablation Catheters. A.22

Therapy™ Ablation Catheters. A.23-A.26

Sensor Enabled™ Ablation Catheters

FlexAbility™ Ablation Catheters, Sensor Enabled™ A.27

Irrigated Ablation Catheters

FlexAbility™ Ablation Catheters A.28

TactiCath™ Contact Force Ablation Catheter, Sensor Enabled™ A.29

TactiCath™ Quartz Contact Force Ablation Catheters A.30

Therapy™ Cool Path™ Ablation Catheters A.31

Hardware

Ampere™ RF Ablation Generator A.32

Cool Point™ Irrigation Pump A.33

TactiSys™ Quartz Equipment A.34

Service Plans. A.35

Connecting Cables

Connecting Cables for Livewire™ TC Ablation Catheters A.36

Connecting Cables for Safire™ Ablation Catheters A.37

Connecting Cables for Safire™ TX Ablation Catheters A.39

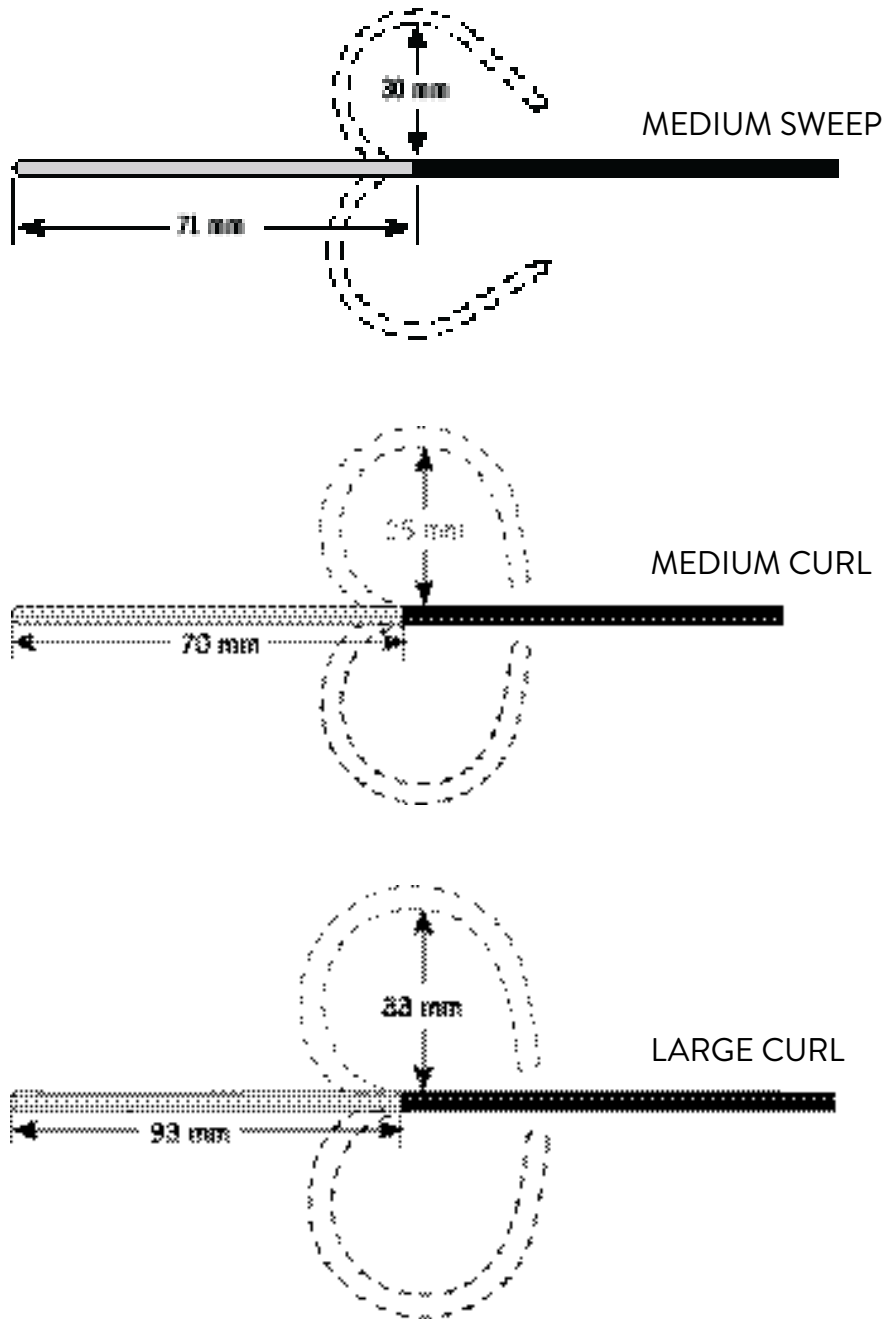
Connecting Cables for Therapy™ Ablation Catheters A.39



CURVE REFERENCE

Livewire™ TC Ablation Catheter

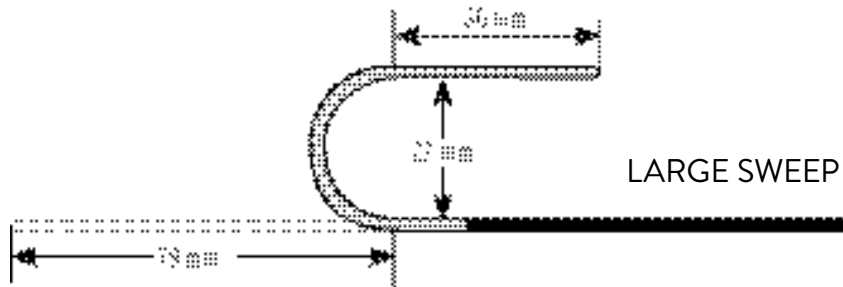
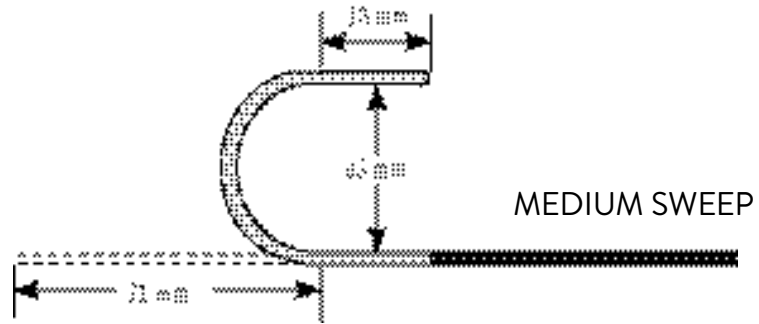
(4 mm bi-directional)
Curve Reference



CURVE REFERENCE

Livewire™ TC Ablation Catheter

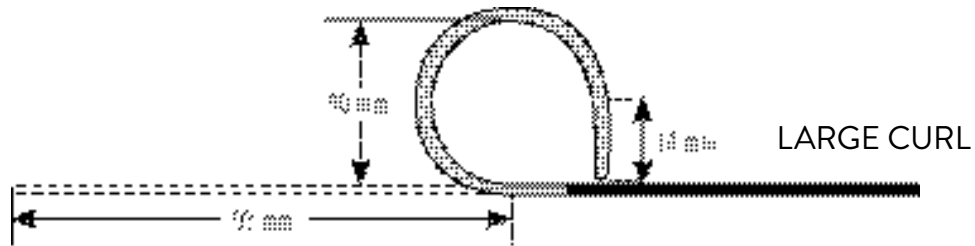
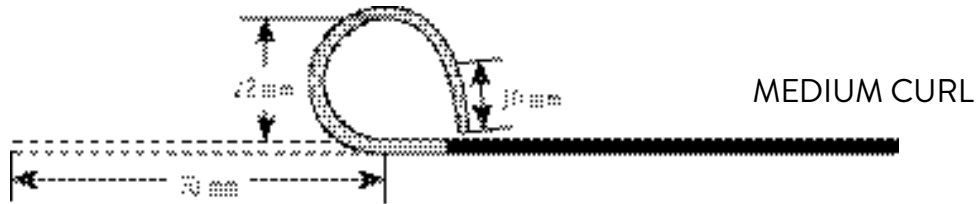
(4 mm uni-directional)
Curve Reference



CURVE REFERENCE

Livewire™ TC Ablation Catheter

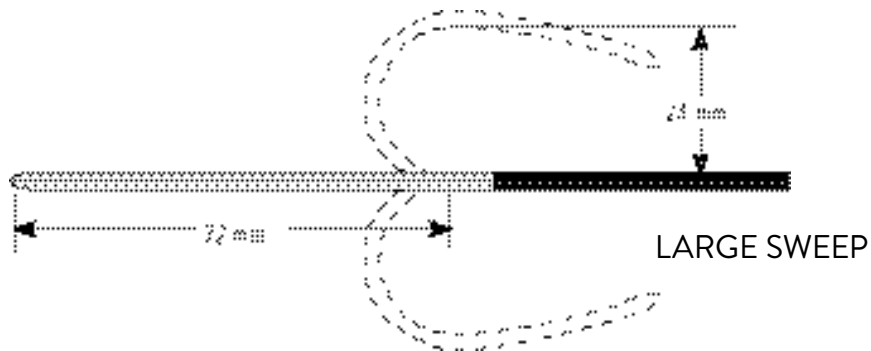
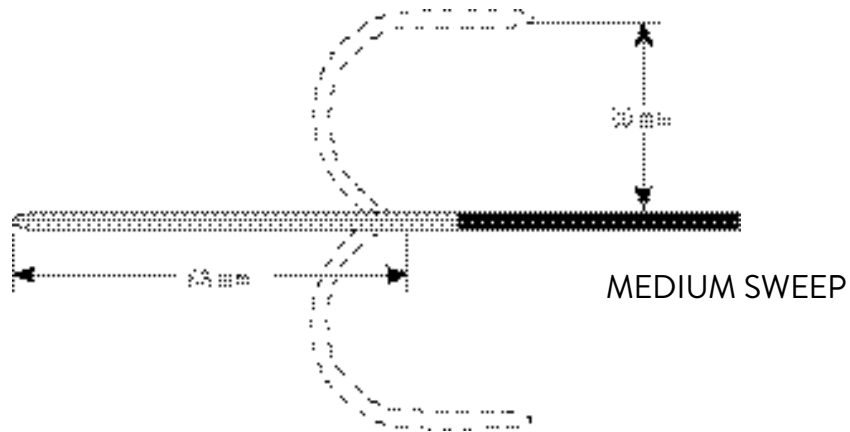
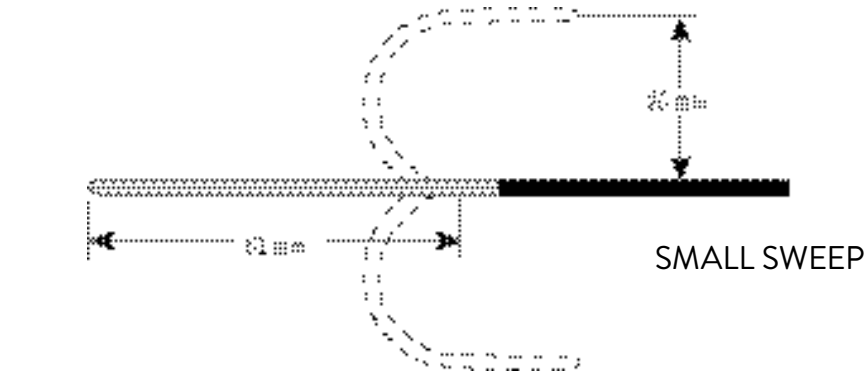
(4 mm uni-directional)
Curve Reference



Safire™ Ablation Catheter

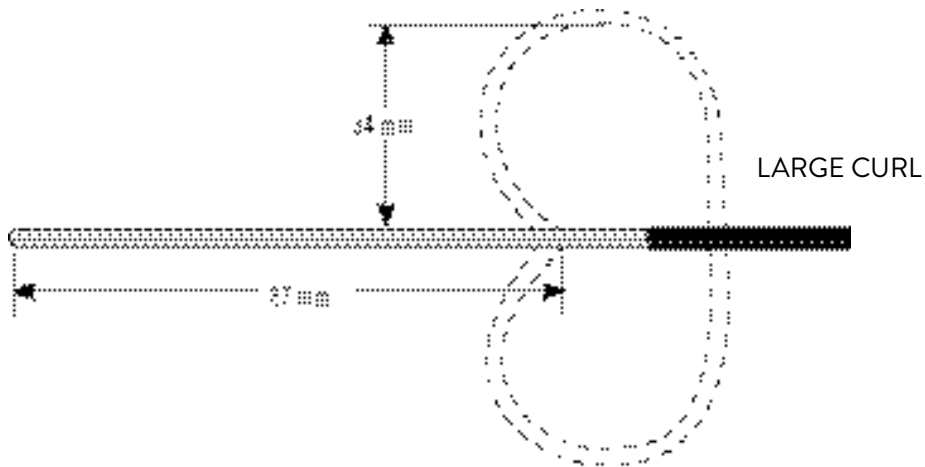
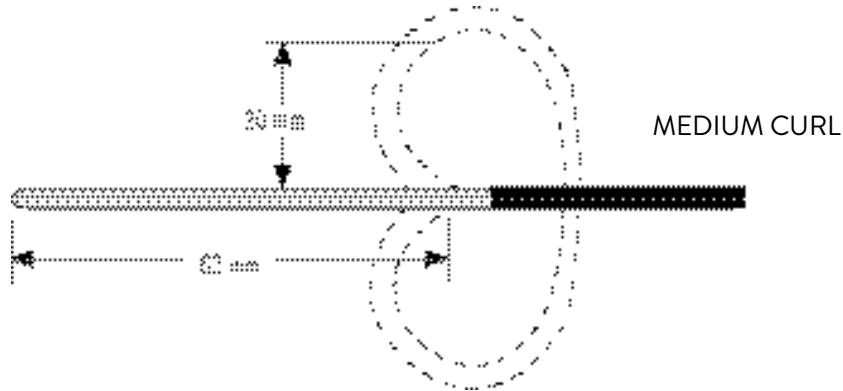
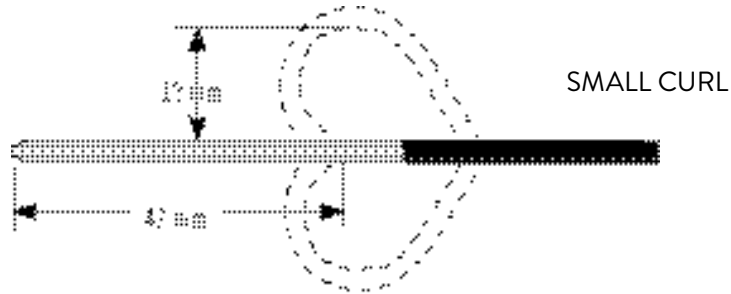
(4 mm bi-directional)

Curve Reference



Safire™ Ablation Catheter

(4 mm bi-directional)
Curve Reference

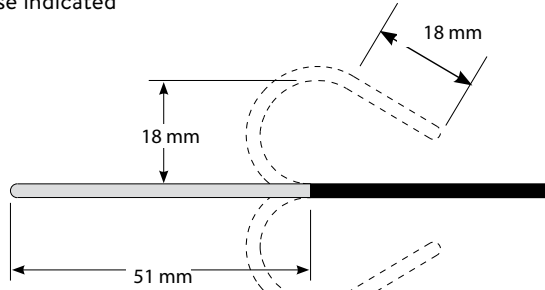


Safire™ TX Ablation Catheter

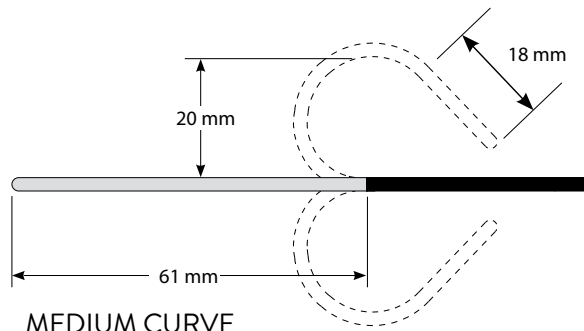
(8 mm bi-directional)

Curve Reference

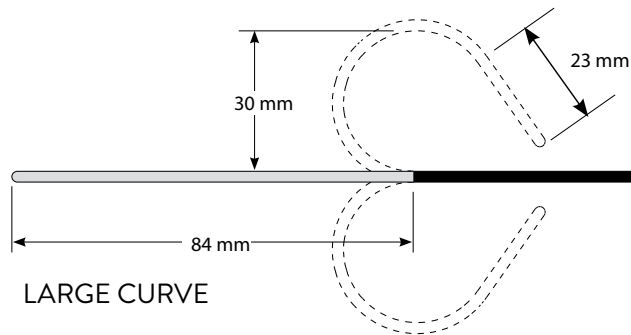
- Electrode spacing is measured edge to edge and reported in millimeters (mm)
- All electrodes are 2 mm wide unless otherwise indicated
- All dimensions approximate
- Usable catheter length is 110 cm



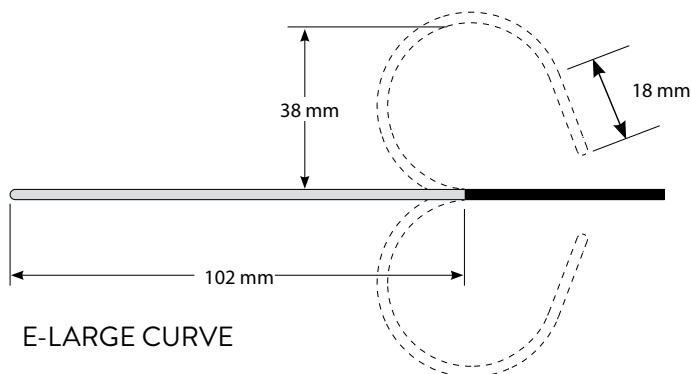
SMALL CURVE



MEDIUM CURVE



LARGE CURVE



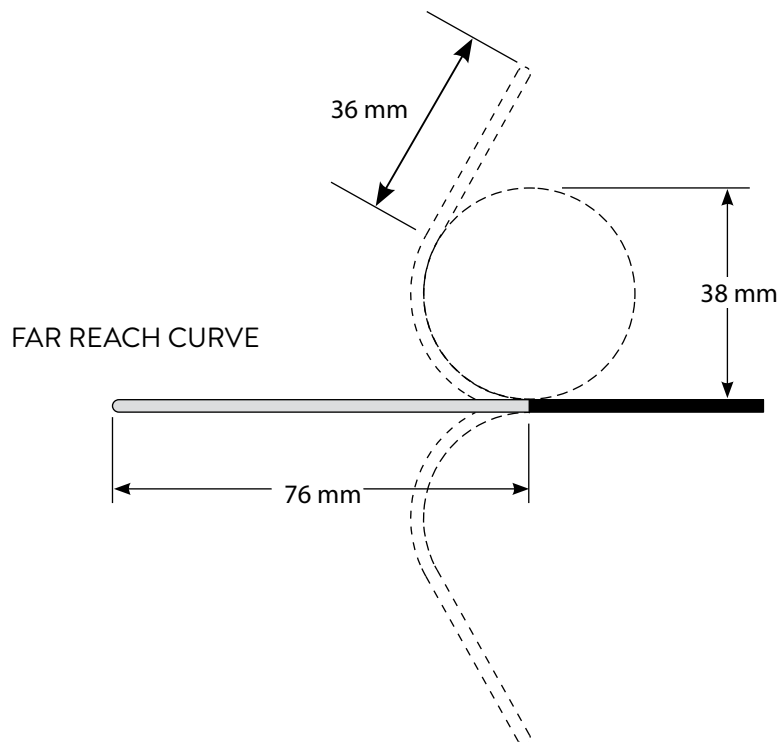
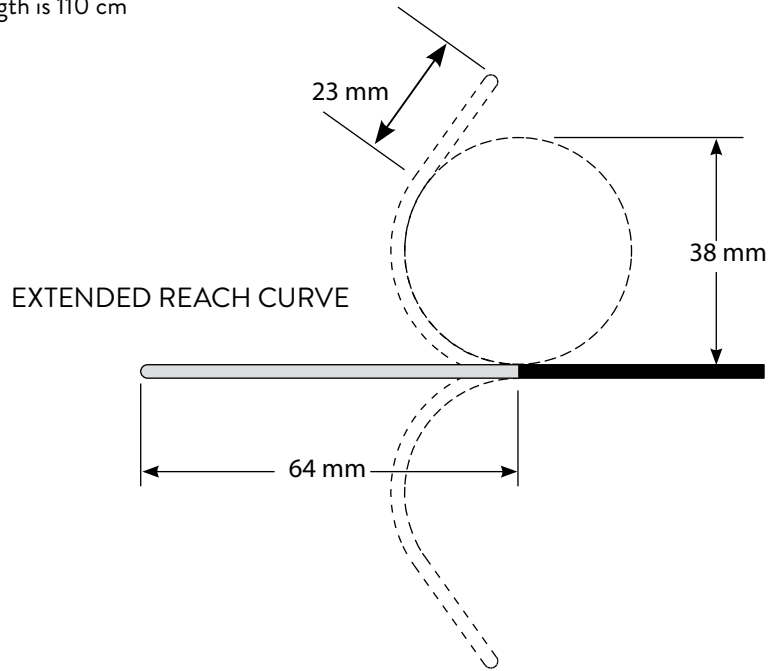
E-LARGE CURVE

Safire™ TX Ablation Catheter

(8 mm bi-directional)

Curve Reference

- Electrode spacing is measured edge to edge and reported in millimeters (mm)
- All electrodes are 2 mm wide unless otherwise indicated
- All dimensions approximate
- Usable catheter length is 110 cm



CURVE REFERENCE

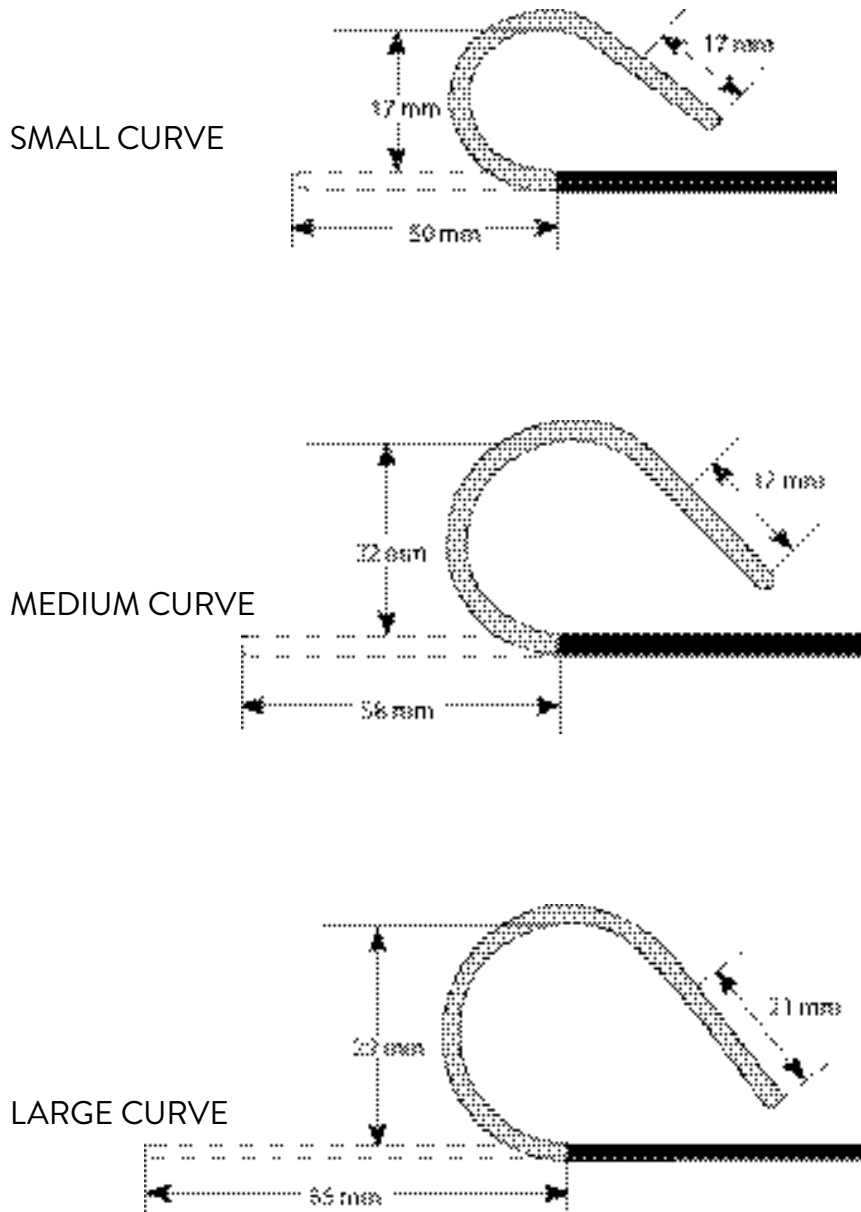
Therapy™ Ablation Catheter

(4 and 8 mm uni-directional) and

Therapy™ Dual-8™ Ablation Catheter

(8 mm uni-directional)

Curve Reference



CURVE REFERENCE

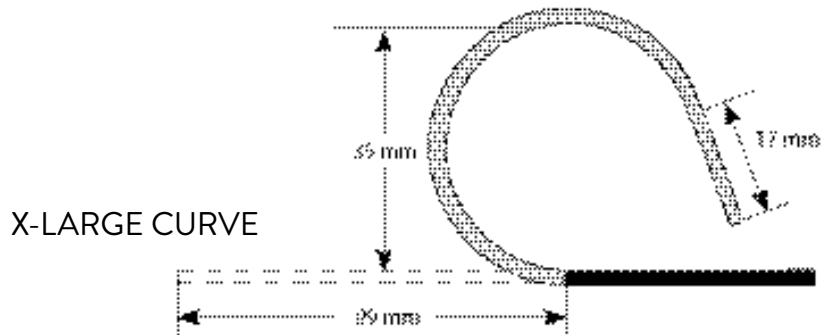
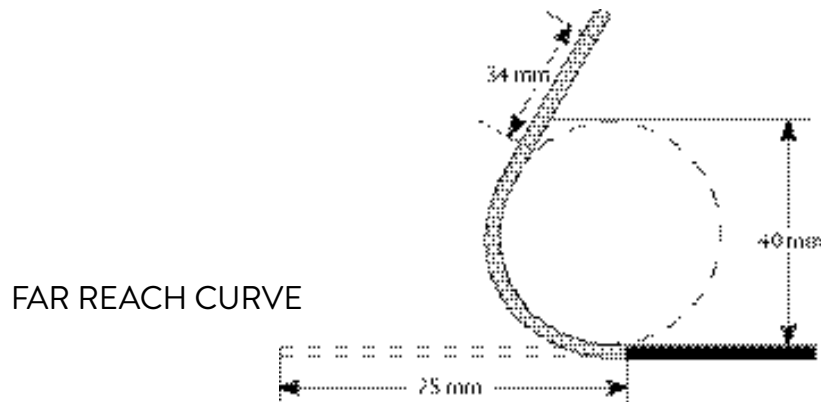
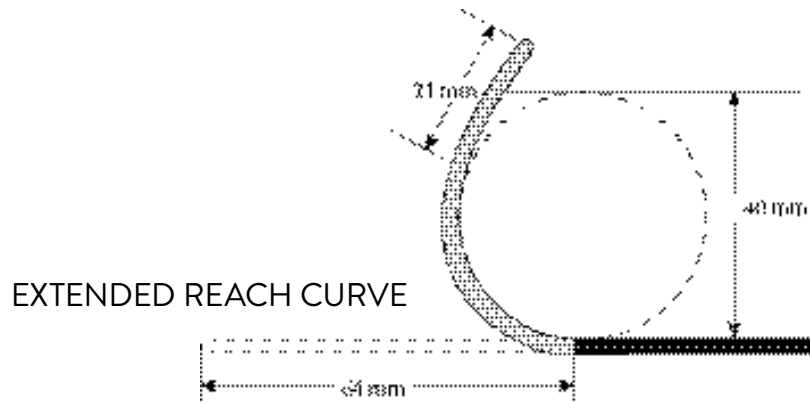
Therapy™ Ablation Catheter

(4 and 8 mm) and

Therapy™ Dual-8™ Ablation Catheter

(8 mm uni-directional)

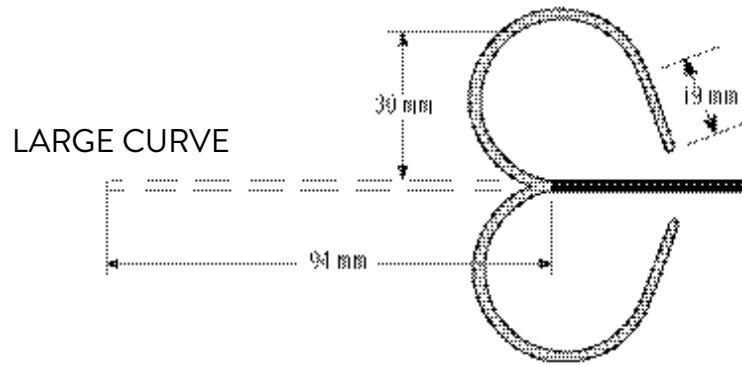
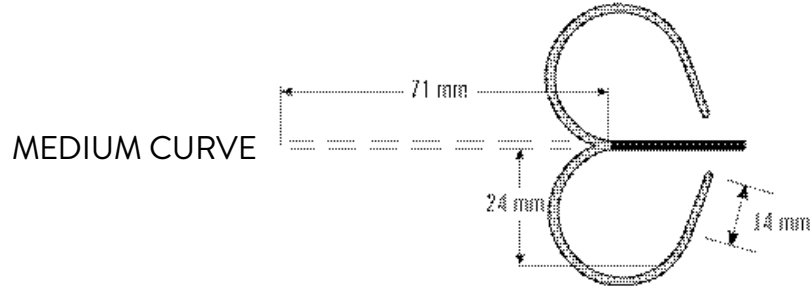
Curve Reference



Therapy™ Ablation Catheter

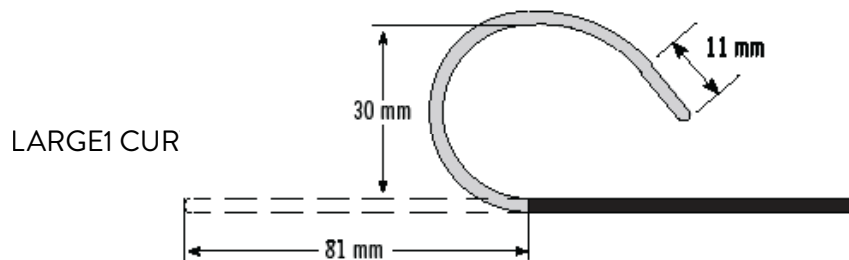
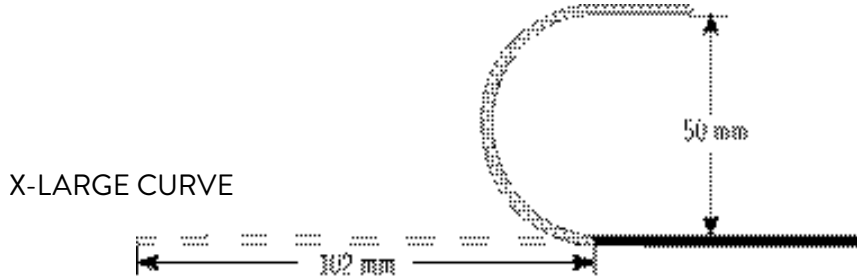
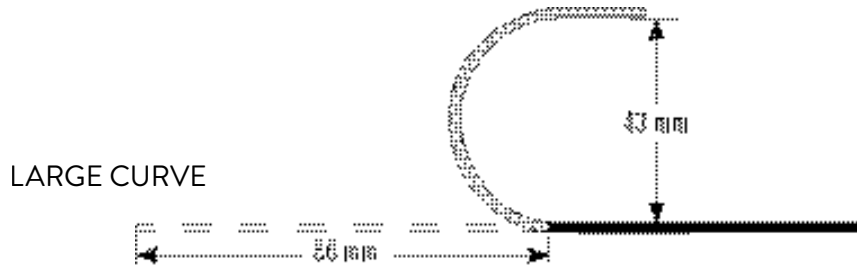
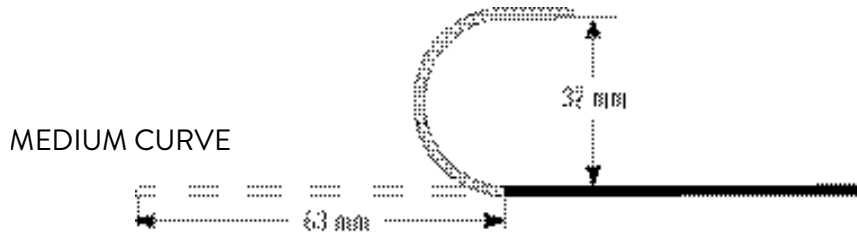
(4 and 8 mm bi-directional)

Curve Reference



Therapy™ Cool Path™ Irrigated Ablation Catheter

(2 and 4 mm uni-directional)
Curve Reference

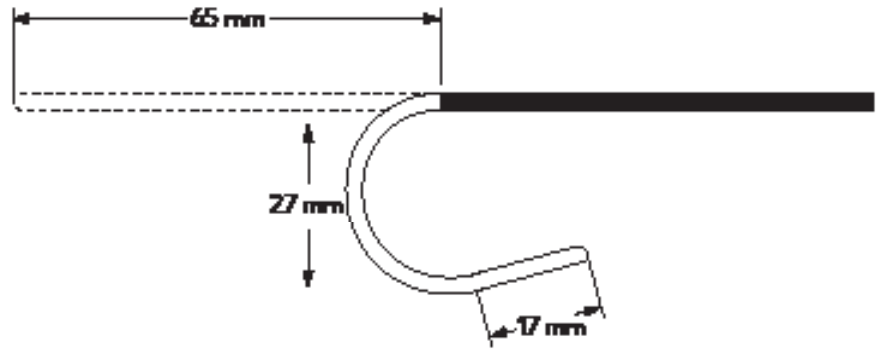


CURVE REFERENCE

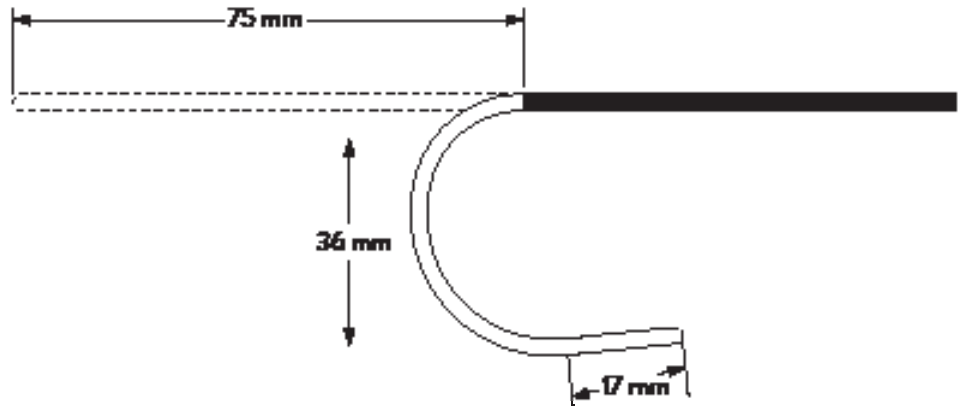
TactiCath™ Quartz Ablation Catheter

Curve Reference

UNI-DIRECTIONAL 65



UNI-DIRECTIONAL 75



FlexAbility™ Ablation Catheter

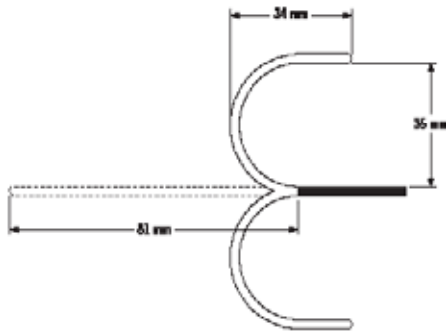
Bi-Directional Curve Reference

FlexAbility™ Irrigated Ablation Catheter, Sensor Enabled™

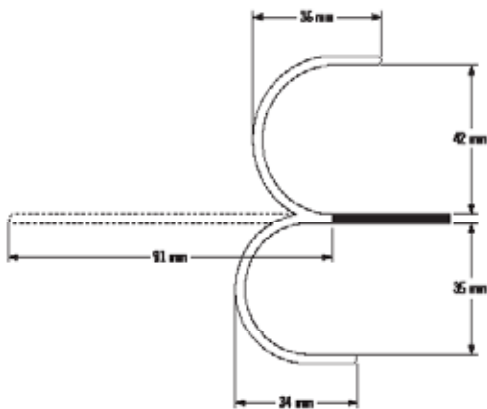
TactiCath™ Contact Force Ablation Catheter, Sensor Enabled™ Curve Reference

Sensor Enabled™ Curve Reference

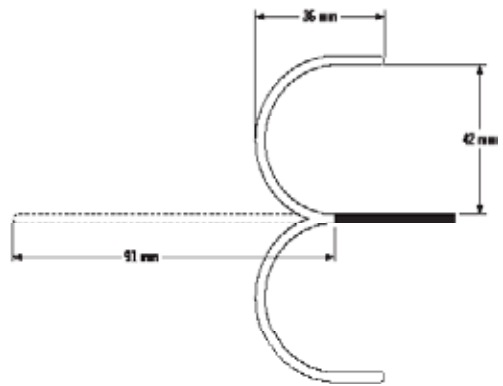
BI-DIRECTIONAL CURVE D-D



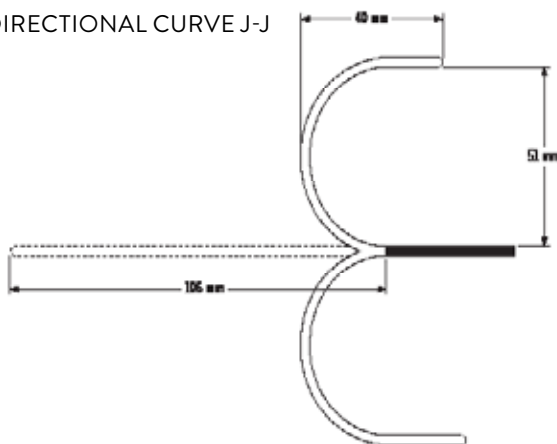
BI-DIRECTIONAL CURVE D-F



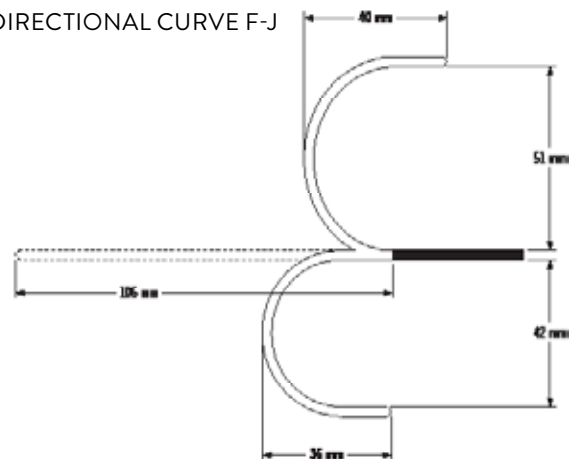
BI-DIRECTIONAL CURVE F-F



BI-DIRECTIONAL CURVE J-J



BI-DIRECTIONAL CURVE F-J



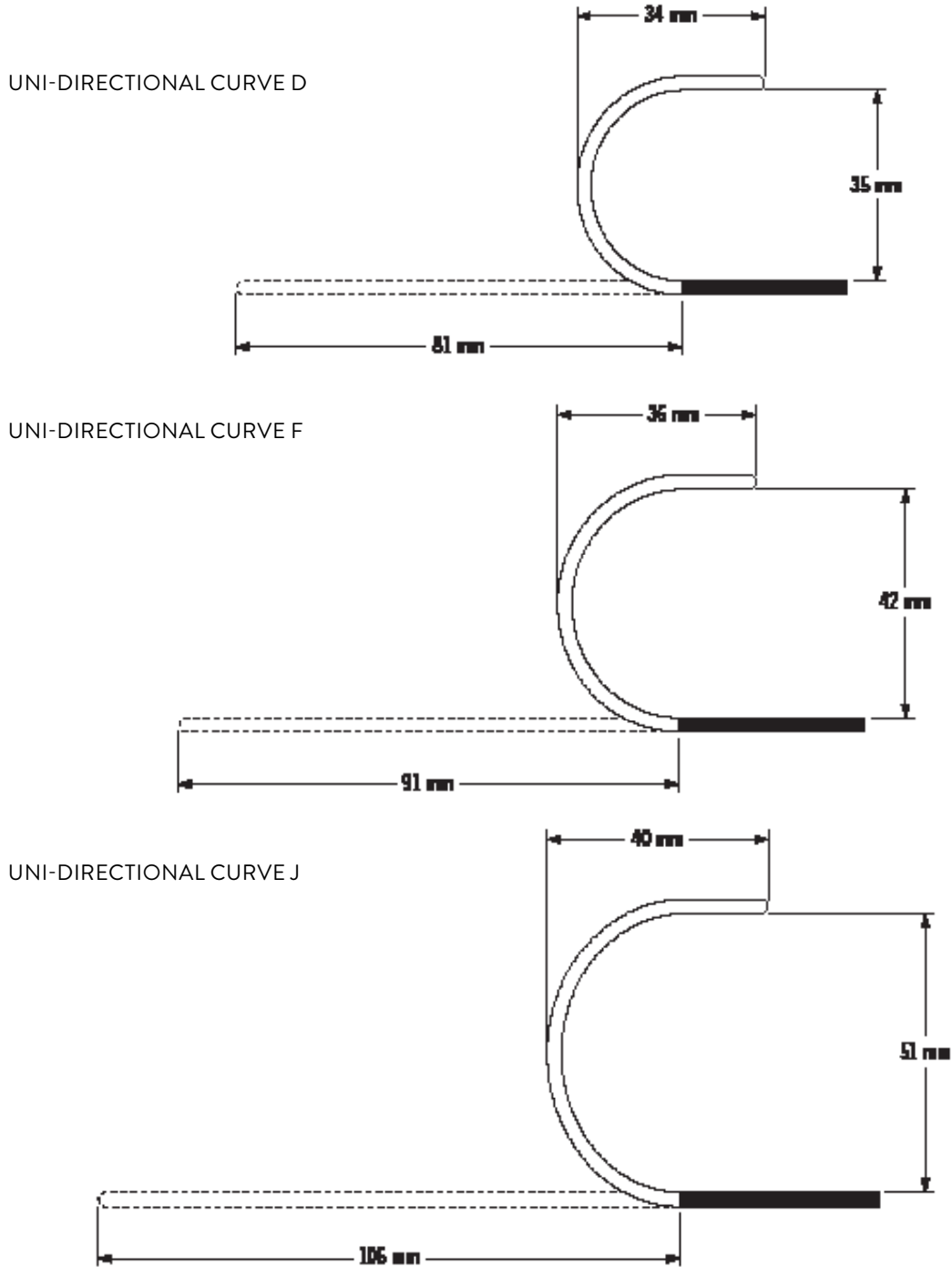
FlexAbility™ Ablation Catheter

Uni-Directional Curve Reference

FlexAbility™ Irrigated Ablation Catheter, Sensor Enabled™

TactiCath™ Contact Force Ablation Catheter, Sensor Enabled™ Curve Reference

Sensor Enabled™ Curve Reference



Livewire™ TC Ablation Catheters

4 mm Tip Universal
 Temperature Monitoring
 Quadripolar
 7 F

Product Highlights

- Bi-Directional tip deflection
- Thermocouple and Thermistor temperature monitoring capability
- Rotary dial designed for fine tip movements
- Extra lateral stability (XLS) incorporated at catheter tip
- Ergonomic handling

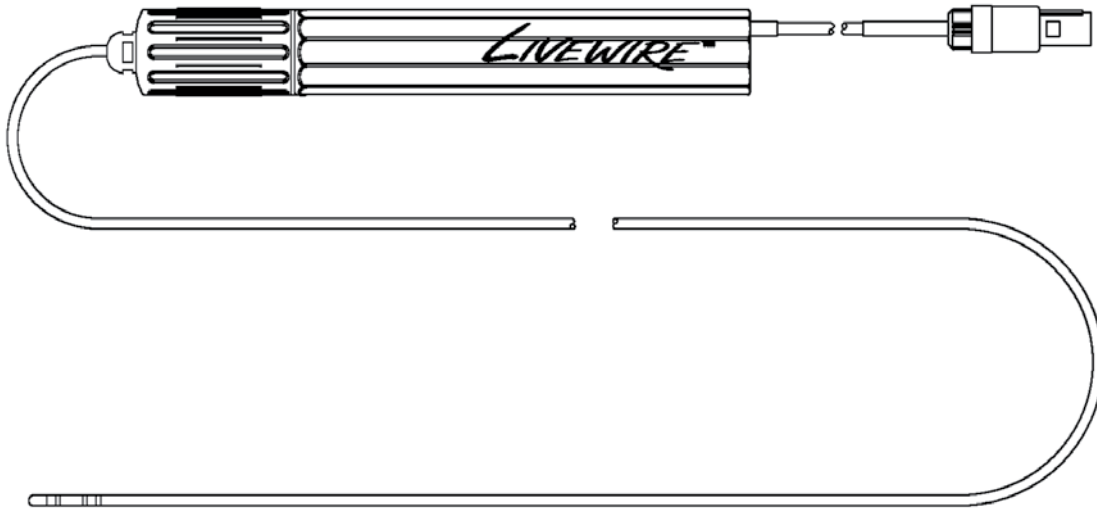
Ordering Information

7 F Quadripolar (XLS) catheter (1 unit per box)

REORDER NUMBER	ELECTRODE SPACING (MM)	TIP ELECTRODE (MM)	BAND ELECTRODE (MM)	DISTAL REACH	USABLE LENGTH (CM)
402271	2-5-2	4	1	Med Sweep	115
402273	2-5-2	4	1	Med Curl	115
402274	2-5-2	4	1	Lrg Curl	115

Required Catheter Extension Cables – Page A.33

Abbott: A402580



STANDARD ABLATION CATHETERS

Livewire™ TC Ablation Catheters

4 mm Tip Universal
Temperature Monitoring
Quadripolar
7 F

Product Highlights

- Thermocouple and Thermistor temperature monitoring capability
- Rotary dial designed for fine tip movements
- Extra lateral stability (XLS) incorporated at catheter tip
- Ergonomic handling
- Uni-directional tip deflection

Ordering Information

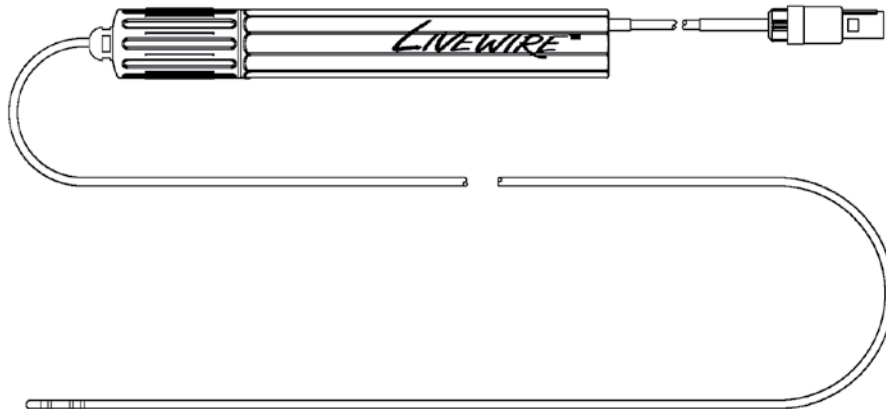
7 F Quadripolar (XLS) catheter (1 unit per box)

REORDER NUMBER	ELECTRODE SPACING (MM)	TIP ELECTRODE (MM)	BAND ELECTRODE (MM)	DISTAL REACH	USABLE LENGTH (CM)
402149	2-5-2	4	1	Med Sweep	115
402150	2-5-2	4	1	Lrg Sweep	115
402151	2-5-2	4	1	Med Curl	115
402152	2-5-2	4	1	Lrg Curl	115

Required Catheter Extension Cables – Page A.33

Abbott: A402580

EPT: 402518



Livewire™ TC Ablation Catheters

5 mm Tip Universal Temperature Monitoring Quadripolar
7 F

Product Highlights

- Thermocouple and Thermistor temperature monitoring capability
- Rotary dial designed for fine tip movements
- Extra lateral stability (XLS) incorporated at catheter tip
- Ergonomic handling
- Uni-directional tip deflection

Ordering Information

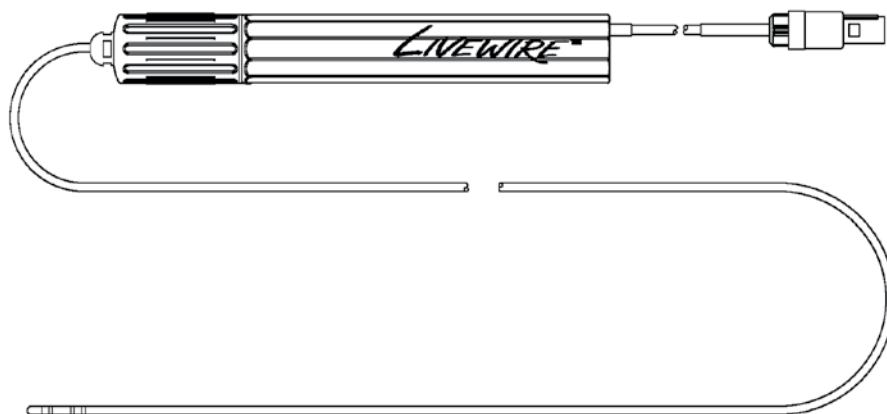
7 F Quadripolar (XLS) catheter (1 unit per box)

REORDER NUMBER	ELECTRODE SPACING (MM)	TIP ELECTRODE (MM)	BAND ELECTRODE (MM)	DISTAL REACH	USABLE LENGTH (CM)
402206	2-5-2	5	1	Lrg Sweep	115
402207	2-5-2	5	1	Med Curl	115
402208	2-5-2	5	1	Lrg Curl	115

Required Catheter Extension Cables – Page A.33

Abbott: A402580

EPT: 402518



Safire™ Bi-directional Ablation Catheters

4 mm Tip Universal
 Temperature Monitoring
 Quadripolar
 7 F

Product Highlights

- Automatic steering lock reduces catheter manipulation
- Bi-directional tip deflection
- Thermocouple and Thermistor temperature monitoring capability
- ComfortGrip™ ergonomic handle

Ordering Information

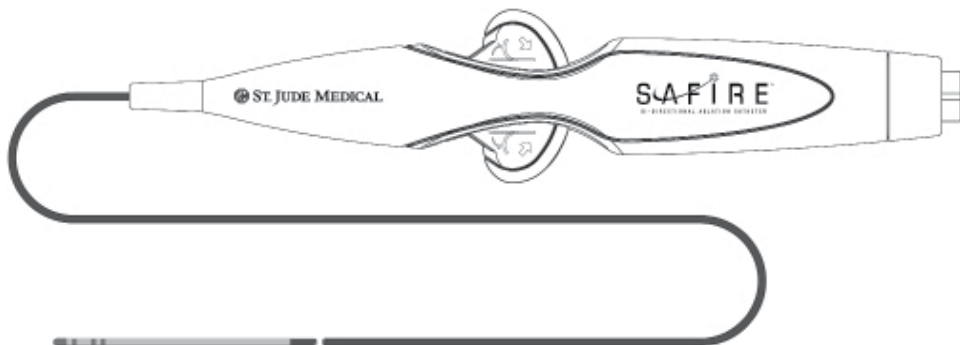
7 F Quadripolar catheter (1 unit per box)

REORDER NUMBER	ELECTRODE SPACING (MM)	TIP ELECTRODE (MM)	BAND ELECTRODE (MM)	DISTAL REACH	USABLE LENGTH (CM)
402806	2-5-2	4	1	Small Sweep	115
402807	2-5-2	4	1	Medium Sweep	115
402808	2-5-2	4	1	Large Sweep	115
402809	2-5-2	4	1	Small Curl	115
402810	2-5-2	4	1	Medium Curl	115
402811	2-5-2	4	1	Large Curl	115

Required Catheter Extension Cables – Page A.34

Abbott: 402569, 402570

EPT: 402549, 402550



Safire™ Bi-directional Ablation Catheters

5 mm Tip Universal Temperature Monitoring Quadripolar
7 F

Product Highlights

- Automatic steering lock reduces catheter manipulation
- Bi-directional tip deflection
- Thermocouple and Thermistor temperature monitoring capability
- ComfortGrip™ ergonomic handle

Ordering Information

7 F Quadripolar catheter (1 unit per box)

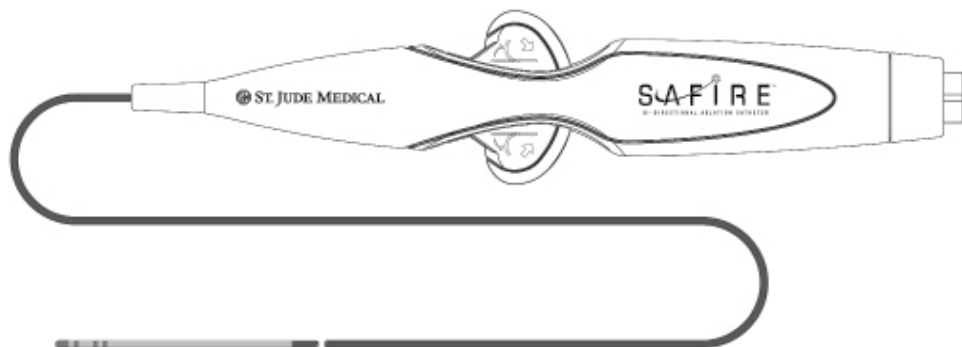
REORDER NUMBER	ELECTRODE SPACING (MM)	TIP ELECTRODE (MM)	BAND ELECTRODE (MM)	DISTAL REACH	USABLE LENGTH (CM)
402813	2-5-2	5	1	Medium Sweep	115
402814	2-5-2	5	1	Large Sweep	115
402815	2-5-2	5	1	Small Curl	115
402816	2-5-2	5	1	Medium Curl	115
402817	2-5-2	5	1	Large Curl	115

Required Catheter Extension Cables – Page A.34

Abbott: 402569, 402570

Stockert: 402553, 402554

EPT: 402549, 402550



Safire™ TX Bi-directional Ablation Catheters

8 mm Tip Universal Temperature Monitoring Quadripolar
7 F

Product Highlights

- Bi-directional tip deflection
- Automatic steering lock reduces catheter manipulation
- Dual Thermocouple and Single Thermistor temperature monitoring capability
- ComfortGrip™ ergonomic handle

Ordering Information

7 F Quadripolar catheter (1 unit per box)

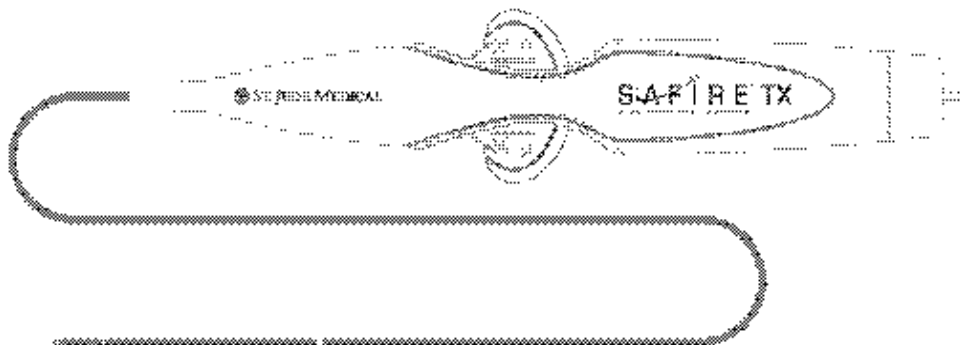
REORDER NUMBER	ELECTRODE SPACING (MM)	TIP ELECTRODE (MM)	BAND ELECTRODE (MM)	DISTAL REACH	USABLE LENGTH (CM)
402839	2-5-2	8	1	Med Curve	110
402840	2-5-2	8	1	Lrg Curve	110
402841	2-5-2	8	1	X-Lrg Curve	110
402842	2-5-2	8	1	Extended Reach Curve	110
402843	2-5-2	8	1	Far Reach Curve	110

Required Catheter Extension Cables – Page A.35

Abbott: 402578

Stockert: 402579

EPT: 402577



Therapy™ Ablation Catheters

4 mm Tip Thermocouple
 Quadripolar
 7 F

Product Highlights

- Uni-directional steering
- Thermocouple temperature measurement
- Push/pull handle

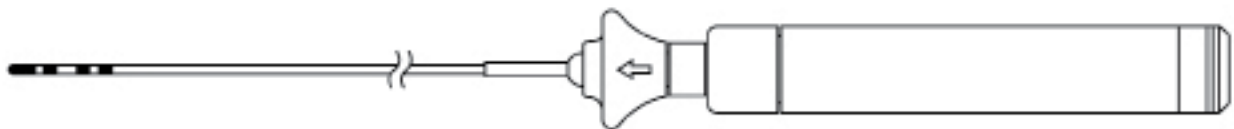
Ordering Information

7 F ablation catheter (1 unit per box)

REORDER NUMBER	DESCRIPTION	ELECTRODE SPACING (MM)	TIP ELECTRODE (MM)	BAND ELECTRODE (MM)	CURVE TYPE	USABLE LENGTH (CM)
IBI-83364	1304-7-25-S	2-5-2	4	2	Small	110
IBI-83365	1304-7-25-M	2-5-2	4	2	Medium	110
IBI-83366	1304-7-25-L	2-5-2	4	2	Large	110
IBI-83368	1304-7-25-E	2-5-2	4	2	Extended Reach	110

Required Catheter Connecting Cable – Page A.36

- Abbott: IBI-85641
- Stockert: IBI-85713, IBI-85709
- Medtronic: IBI-85711



Therapy™ Bi-directional Ablation Catheters

4 mm Tip Thermocouple
 Quadripolar
 7 F

Product Highlights

- Symmetrical bi-directional steering
- Thermocouple temperature measurement
- Push/pull handle

Ordering Information

7 F ablation catheter (1 unit per box)

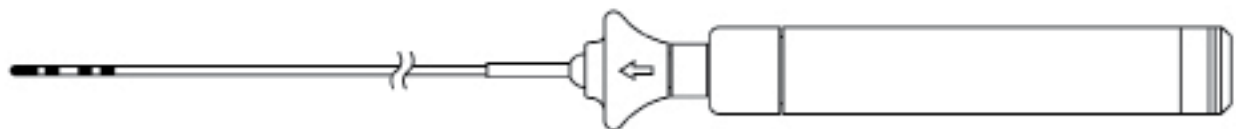
REORDER NUMBER	DESCRIPTION	ELECTRODE SPACING (MM)	TIP ELECTRODE (MM)	BAND ELECTRODE (MM)	CURVE TYPE	USABLE LENGTH (CM)
IBI-83719	1304-7-25-M-BD	2-5-2	4	2	Medium	110
IBI-83720	1304-7-25-L-BD	2-5-2	4	2	Large	110

Required Catheter Connecting Cable – Page A.36

Abbott: IBI-85641

Stockert: IBI-85713

Medtronic: IBI-85711



STANDARD ABLATION CATHETERS

Therapy™ Ablation Catheters

4 and 8 mm Tip Thermistor
 Quadripolar
 7 F

Product Highlights

- Uni-directional steering
- Thermistor temperature measurement
- Compatible with EPT-1000XP† generator
- Push/pull handle

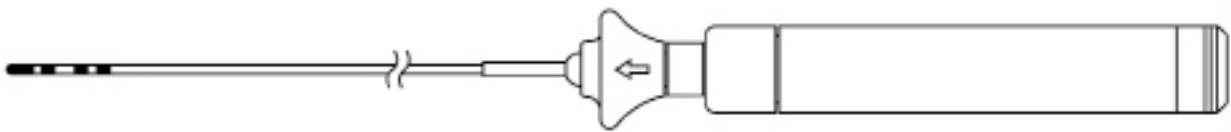
Ordering Information

7 F ablation catheter (1 unit per box)

REORDER NUMBER	DESCRIPTION	ELECTRODE SPACING (MM)	TIP ELECTRODE (MM)	BAND ELECTRODE (MM)	CURVE TYPE	USABLE LENGTH (CM)
IBI-83724	1304-7-25-M-TH	2-5-2	4	2	Medium	110
IBI-83726	1304-7-25-XL-TH	2-5-2	4	2	X-Large	110
IBI-83442	1304-7-25-L-TE8-TH	2-5-2	8	2	Large	110
IBI-83445	1304-7-25-E-TE8-TH	2-5-2	8	2	Entended Reach	110

Required Catheter Connecting Cable – Page A.36

EPT: IBI-85763



EPT-1000 XP is a trademark of Boston Scientific, Inc.



STANDARD ABLATION CATHETERS

Therapy™ Dual-8™ Ablation Catheters

8 mm Tip Dual Thermocouple
Quadripolar
7 F

Product Highlights

- Uni-directional steering
- 8 mm tip electrode with two thermocouples
- High power option up to 100 watts
- Push/pull handle

Ordering Information

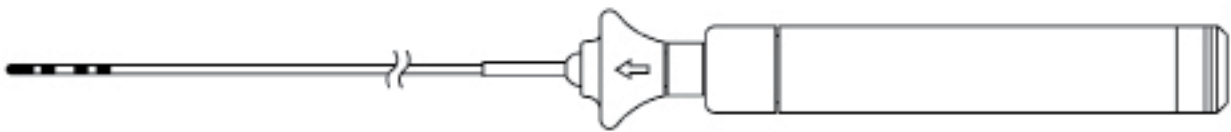
7 F ablation catheter (1 unit per box)

REORDER NUMBER	DESCRIPTION	ELECTRODE SPACING (MM)	TIP ELECTRODE (MM)	BAND ELECTRODE (MM)	CURVE TYPE	USABLE LENGTH (CM)
IBI-83371	1304-7-25-M-TE8TC2	2-5-2	8	2	Medium	110
IBI-83372	1304-7-25-L-TE8TC2	2-5-2	8	2	Large	110
IBI-83373	1304-7-25-XL-TE8TC2	2-5-2	8	2	X-Large	110
IBI-83374	1304-7-25-E-TE8TC2	2-5-2	8	2	Entended Reach	110

Required Catheter Connecting Cable – Page A.36

Abbott: IBI-85641

Stockert: IBI-85739



FlexAbility™ Ablation Catheter Sensor Enabled™

Product Highlights

- Combines unique flexible tip with a handle and shaft designed to navigate the heart with accuracy and consistent performance*†
- D, F and J curve options
- Symmetric or asymmetric options
- Ergonomic uni- and bi-directional handles are designed for consistent performance and fatigue reducing enhancements**
- Integrates with EnSite Precision™ cardiac mapping system and MediGuide™ Technology

Ordering Information

8 F irrigated ablation catheter

REORDER NUMBER	DESCRIPTION	CURVE	FRENCH SIZE	ELECTRODE SPACING (MM)	TIP ELECTRODE (MM)	LENGTH (CM)
A-FASE-DD	Sensor Enabled™ Bi-D Irrigated Ablation Catheter	D-D	8	1-4-1	4	115
A-FASE-DF	Sensor Enabled™ Bi-D Irrigated Ablation Catheter	D-F	8	1-4-1	4	115
A-FASE-FF	Sensor Enabled™ Bi-D Irrigated Ablation Catheter	F-F	8	1-4-1	4	115
A-FASE-FJ	Sensor Enabled™ Bi-D Irrigated Ablation Catheter	F-J	8	1-4-1	4	115
A-FASE-JJ	Sensor Enabled™ Bi-D Irrigated Ablation Catheter	J-J	8	1-4-1	4	115
A-FASE-D	Sensor Enabled™ Uni-D Irrigated Ablation Catheter	D	8	1-4-1	4	115
A-FASE-F	Sensor Enabled™ Uni-D Irrigated Ablation Catheter	F	8	1-4-1	4	115
A-FASE-J	Sensor Enabled™ Uni-D Irrigated Ablation Catheter	J	8	1-4-1	4	115

Required Catheter Connecting Cable: Model A-FASE-CBL4



*Abbott. Data on file. Development report number 90168493.

**Compared to Cool Flex™ ablation catheter; Report 90213554.

† As compared to the Therapy™ Cool Flex™ ablation catheter.

FlexAbility™ Ablation Catheters

Product Highlights

- Combines unique flexible tip with a handle and shaft designed to navigate the heart with accuracy and consistent performance*†
- D, F and J curve options
- Symmetric or asymmetric options
- Ergonomic uni- and bi-directional handles are designed for consistent performance and fatigue reducing enhancements**

Ordering Information

8 F irrigated ablation catheter

REORDER NUMBER	DESCRIPTION	CURVE	FRENCH SIZE	ELECTRODE SPACING (MM)	TIP ELECTRODE (MM)	LENGTH (CM)
A701124	Bi-D Irrigated Ablation Catheter	D-D	8	1-4-1	4	115
A701125	Bi-D Irrigated Ablation Catheter	D-F	8	1-4-1	4	115
A701127	Bi-D Irrigated Ablation Catheter	F-F	8	1-4-1	4	115
A701128	Bi-D Irrigated Ablation Catheter	F-J	8	1-4-1	4	115
A701129	Bi-D Irrigated Ablation Catheter	J-J	8	1-4-1	4	115
A701157	Uni-D Irrigated Ablation Catheter	D	8	1-4-1	4	115
A701158	Uni-D Irrigated Ablation Catheter	F	8	1-4-1	4	115
A701159	Uni-D Irrigated Ablation Catheter	J	8	1-4-1	4	115

Required Catheter Connecting Cable: Model 1641



*Abbott Data on file. Development report number 90168493.

**Compared to Cool Flex™ ablation catheter report number 90168493.

† As compared to the Therapy™ Cool Flex™ ablation catheter

TactiCath™ Contact Force Ablation Catheter, Sensor Enabled™

Product Highlights

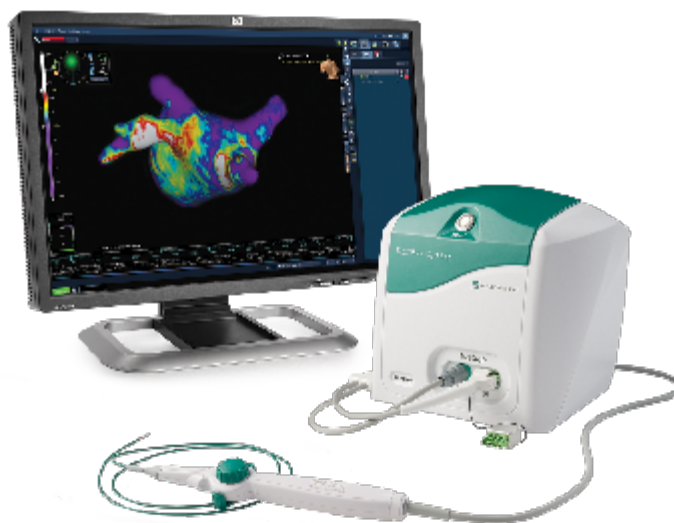
- Fully integrated with the EnSite Precision™ Cardiac Mapping System
- Offers a variety of curve sizes to accommodate size differences in patient anatomy
- Fast, easy setup and enhanced workflow is obtained through an intuitive display of contact force (CF) data
- CF parameters:
 - FTI™ – Force Time Integral parameter measured in real-time during catheter ablation procedures
 - LSI™ Index – Lesion Index combining CF, radio frequency (RF) application duration and RF current*
- Fiber-optic CF technology that provides accurate and reliable readings¹
- Requires TactiSys™ Quartz equipment and EnSite™ Contact Force Module software

Ordering Information

Open-irrigated 8 F ablation catheter

REORDER NUMBER	DESCRIPTION	CURVE	FRENCH SIZE	ELECTRODE SPACING (MM)	TIP ELECTRODE (MM)	LENGTH (CM)
A-TCSE-DD	Bi-D Irrigated Ablation Catheter	D-D	8	2-2-2	3.5	115
A-TCSE-DF	Bi-D Irrigated Ablation Catheter	D-F	8	2-2-2	3.5	115
A-TCSE-FF	Bi-D Irrigated Ablation Catheter	F-F	8	2-2-2	3.5	115
A-TCSE-FJ	Bi-D Irrigated Ablation Catheter	F-J	8	2-2-2	3.5	115
A-TCSE-JJ	Bi-D Irrigated Ablation Catheter	J-J	8	2-2-2	3.5	115
A-TCSE-D	Uni-D Irrigated Ablation Catheter	D	8	2-2-2	3.5	115
A-TCSE-F	Uni-D Irrigated Ablation Catheter	F	8	2-2-2	3.5	115
A-TCSE-J	Uni-D Irrigated Ablation Catheter	J	8	2-2-2	3.5	115

*This parameter was displayed during ablation procedures in a 31-patient supplemental study to the TOCCASTAR clinical trial. However, the clinical utility of this parameter has not been evaluated.



1. Abbott. Data on File. 90223875 Ver 3.

TactiCath™ Quartz Contact Force Ablation Catheters

Product Highlights

- Provides fast, real-time contact force (CF) measurement based on light interferometry technology
- Real-time feedback: Fast 50 Hz (20ms) sample rate streamlines workflow
- Fast, easy setup and enhanced workflow is obtained through an intuitive display of CF data
- CF parameters:
 - FTI™ Index – Force Time Integral parameter measured in real-time during catheter ablation procedures
 - The LSI™ (Lesion Index) is a proprietary index combining contact force, radiofrequency (RF) application duration, and RF current*
- Force sensor just proximal to ablation electrode to measure force as close to the catheter tip as possible
- Fiber optic technology for optimal sensitivity and stability during CF measurement**
- 75 or 65 mm steerable curve
- Requires TactiSys™ Quartz hardware and EnSite™ Contact Force Module software

Ordering Information

Open-irrigated 7 F ablation catheter with 75 or 65 mm steerable curve

REORDER NUMBER	DESCRIPTION	CURVE	FRENCH SIZE	ELECTRODE SPACING (MM)	TIP ELECTRODE (MM)	LENGTH (CM)
PN-004 075	Irrigated Ablation Catheter (6 hole)	75 mm	7	2-5-2	3.5	115
PN-004 065	Irrigated Ablation Catheter (6 hole)	65 mm	7	2-5-2	3.5	115



*This parameter was displayed during ablation procedures in a 31-patient supplemental study to the TOCCASTAR clinical trial. However, the clinical utility of this parameter has not been evaluated.

**Bourier, F., Gianni, C., Dare, M., Deisenhofer, I., Hessling, G., Reents, T., ... Al-Ahmad, A. (2016). Fiberoptic contact-force sensing electrophysiological catheters: how precise is the technology? *J Cardiovasc Electrophysiol*, Sep 22.

Therapy™ Cool Path™ Ablation Catheters

4 mm Tip Thermocouple
 Quadripolar
 7 F

Product Highlights

- All braided shaft
- Double mesh stainless steel braiding to the distal tip
- Six equidistant ports on the distal tip
- Uni-directional steering
- Push/pull handle

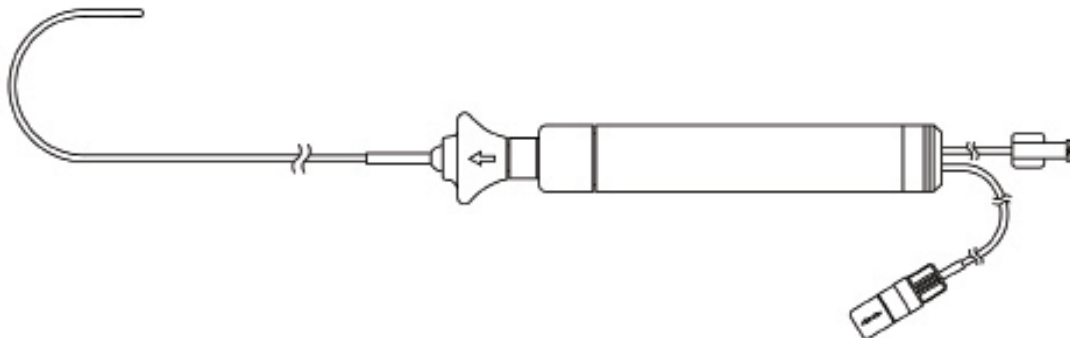
Ordering Information

7 F irrigated ablation catheter (1 unit per box)

REORDER NUMBER	DESCRIPTION	ELECTRODE SPACING (MM)	TIP ELECTRODE (MM)	BAND ELECTRODE (MM)	CURVE TYPE	USABLE LENGTH (CM)
IBI-84308	1304-CP-7-25-M-AB	2-5-2	4	2	Medium	110
IBI-84309	1304-CP-7-25-L-AB	2-5-2	4	2	Large	110
IBI-84310	1304-CP-7-25-XL-AB	2-5-2	4	2	X-Large	110
IBI-84311	1304-CP-7-25-FL-AB	2-5-2	4	2	Flutter	110
IBI-84312	1304-CP-7-25-L1-AB	2-5-2	4	2	Large1	110

Required Catheter Connecting Cable – Page A.36

SJM: IBI-85641



Ampere™ RF Ablation Generator

Product Highlights

- Specifically designed to work alongside the EnSite™ Velocity™ Cardiac Mapping System
- Designed for compatibility with EP-WorkMate™ Recording System, WorkMate Claris™ Recording System, EnSite Precision™ cardiac mapping system, MediGuide™ technology and other major recording systems
- Choice of power or temperature control modes
- Large, colorful screen and buttons for easy reading and programming
- New programming options, including automatic irrigation flow adjustment and variable power ramp-up times
- Up to four presets for easy switching between settings
- Optional full-color screen remote control and footswitch available

Ordering Information

REORDER NUMBER	DESCRIPTION
H700494	Ampere™ RF Generator Kit (includes generator + footswitch, 2.5 m cable, accessories)
H700490	Ampere™ RF Generator Remote Control (includes 15 m fiber cord)
H700498	Ampere™ RF Generator Footswitch, 2.5 m
H700499	Ampere™ RF Generator Footswitch, 5 m
H700500	Ampere™ RF Generator Footswitch, 10 m
H700501	Ampere™ RF Generator Footswitch, 15 m
H700504	Ampere™ Generator Accessories (kit includes U.S. power cord [IEC320], equipotential cable, 4-lead EGM cable, serial mouse DB9 data assembly cable, and cable/conn ablation assembly – amplifier)



Ampere™ RF Ablation Generator



Ampere™ Remote Control

Cool Point™ Irrigation Pump

Product Highlights

- Peristaltic pump
- Two-way communication with the compatible cardiac ablation generator
- Two microliter bubble detectors
- In-line pressure sensor to detect downstream occlusion
- Compact, lightweight design
- Ergonomic carrying handle
- Includes: Irrigation Pump, Power Cord, Tubing Set, Pole Clamp, 1779 Connecting Cable, Operator's Manual

Ordering Information

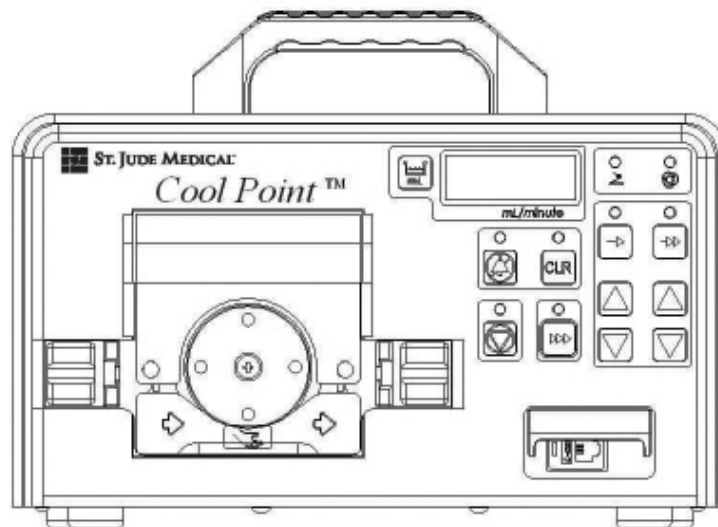
REORDER NUMBER	DESCRIPTION
IBI-89003	Cool Point™ Irrigation Pump

Required Cool Point Tubing Set

REORDER NUMBER	DESCRIPTION	LENGTH (CM)
85785	Cool Point™ Tubing Set (sold individually)	260

Required Cool Point Accessories

REORDER NUMBER	DESCRIPTION	LENGTH (CM)
IBI-85786	Communications cable, 20-feet, between Cool Point™ Irrigation Pump and compatible cardiac ablation generator	609



TactiSys™ Quartz Equipment

Product Highlights

- Fast sampling rate for accurate Contact Force information
- No lengthy startup calibration procedure required
- Proprietary indicators designed to assess lesion formation, including:
 - FTI™ Index – Metric that combines contact force and the duration of ablation
 - LSI™ Index – A proprietary index combining contact force, radiofrequency (RF) application duration and RF current*

Ordering Information

REORDER NUMBER	DESCRIPTION	LENGTH (M)
PN-004 400	TactiSys™ Quartz	
PN-004 511	TactiSys™ Quartz Mount	
PN-004 514	TactiSys™ Quartz Stockert RF Cable	
PN-004 515	TactiSys™ Quartz Ampere RF Cable	
PN-004 516	TactiSys™ Quartz Ethernet	10



*This parameter was displayed during ablation procedures in a 31-patient supplemental study to the TOCCASTAR clinical trial. However, the clinical utility of this parameter has not been evaluated.

Technical Service and Support Abbott Extended Service Plan

Product Highlights

- Maximize your investment with extended coverage on hardware
- Easy access to Technical Telephone Support within 15 minutes so equipment issue can be addressed efficiently
- Quickly receive next day shipment of replacement unit*
- If needed, loaner equivalent is available to minimize downtime

*Next business day delivery dependent on time of part order request and location; remote areas may experience longer delivery times.

Description

Extended Service Plan provides comprehensive and extended service coverage beyond the initial 12-month warranty for Abbott’s capital equipment. Staying current with this program will help ensure that you maximize your capital equipment investment throughout the life of each product.

We provide you with the option to select coverage for specific pieces of equipment or design a comprehensive plan that covers all your Abbott capital equipment. Plans are available in one-, two, or three-year terms.

Ordering Information

Coverage Plans Available

Each piece of capital equipment can count toward any multi-system discounts when creating a master service agreement for all of your St. Jude Medical capital equipment service needs.

Extended service plans are offered on the following capital equipment.

REORDER NUMBER	DESCRIPTION
IBI-CPOINT1YR	Cool Point™ Irrigation Pump
AMPERE1YR	Ampere™ RF Generator
TQ-EXW	TactiSys™ Quartz Equipment

Catheter Extension Cables

Livewire™ TC Ablation Catheters

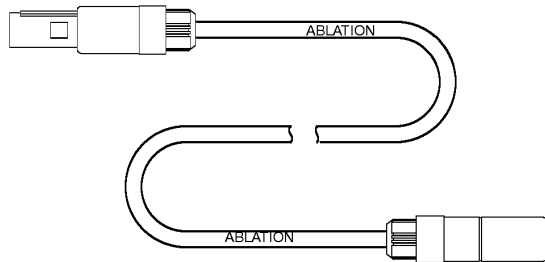
Product Highlights

- Cable clearly identified for ablation
- Connection allows for temperature monitoring
- Guided channel for fast convenient connection

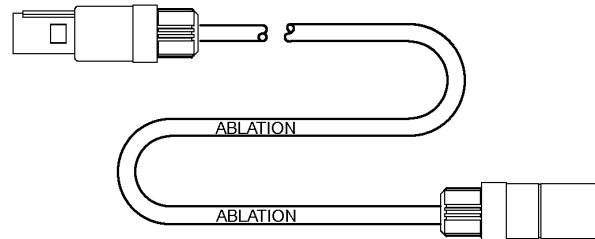
Ordering Information

Extension cable (1 unit per box)

REORDER NUMBER	LENGTH (CM)	RF GENERATOR TYPE
402518	150	Boston Scientific EPT-1000 TC
A402580	150	Ampere™ RF Ablation Generator and 1500T9-CP Cardiac Ablation Generator



Ampere™ RF
and 1500T9-CP



EPT-1000 TC

EPT-1000 TC is a trademark of Boston Scientific, Inc.

Catheter Extension Cables

Safire™ Ablation Catheters

Product Highlights

- Cables are color coded and clearly labeled for ablation
- Connection allows for temperature monitoring
- Guided channel for fast convenient connection

Ordering Information

Extension cable (1 unit per box)

REORDER NUMBER	LENGTH (CM)	RF GENERATOR TYPE
402549	150	Boston Scientific EPT-1000 TC
402553	150	Stockert 70
402550	300	Boston Scientific EPT-1000 TC
402554	300	Stockert 70
402569	150	Ampere™ RF and 1500T9-CP Cardiac Ablation Generators
402570	300	Ampere™ RF and 1500T9-CP Cardiac Ablation Generators

Safire™ to EPT-1000 TC



Safire™ to Stockert 70



Safire™ to Ampere™ RF and 1500T9-CP



EPT-1000 TC is a trademark of Boston Scientific, Inc.
 Stockert 70 is a trademark of Stockert Instrumente GmbH.

CONNECTING CABLES

Catheter Extension Cables

Safire™ TX Ablation Catheter

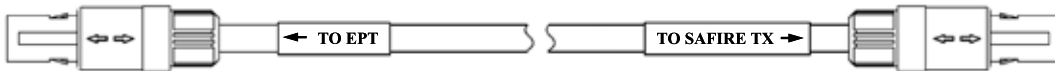
Product Highlights

- Cables are color coded and clearly labeled for ablation
- Connection allows for temperature monitoring
- Guided channel for fast, convenient connection

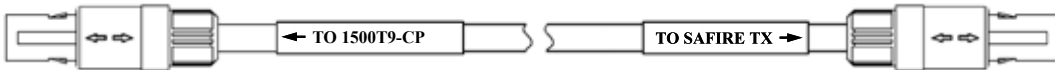
Ordering Information

REORDER NUMBER	LENGTH (CM)	GENERATOR TYPE
402577	250	Boston Scientific PT 1000 TC and Maestro 3000
402578	250	Ampere™ RF Ablation Generator and 1500T9-CP Cardiac Ablation Generator
402579	250	Stockert 70

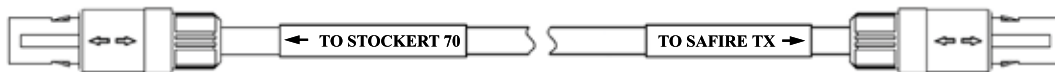
Safire™ TX to EPT 1000 TC and Maestro 3000



Safire™ TX to Ampere™ RF and 1500T9-CP Cardiac Ablation Generator



Safire™ TX to Stockert 70



Catheter Connection Cables

Therapy™ Ablation Catheters

Product Highlights

- Compatible cables for Therapy™ catheters to compatible generators

Ordering Information

REORDER NUMBER	MODEL NUMBER	LENGTH (CM)	CATHETER	GENERATOR
IBI-85641	1641	250	Therapy™ Series Single Thermocouple/Therapy™ Dual-8™/ Therapy™ Cool Path™	Ampere™ RF and 1500T9-CP
IBI-85711	1711-M	250	Therapy™ Series Thermocouple	Medtronic Atakr
IBI-85713	1713-W	250	Therapy™ Series, Single Thermocouple	Stockert 70
IBI-85739	1739-W	250	Therapy™ Dual-8™	Stockert 70
IBI-85763	1763-E	250	Therapy™ Series Thermistor; 4 mm tip	EPT-1000 TC

1711-M



1641, 1713-W, 1739-W, 1763-E



Atakr is a trademark of Medtronic, Inc.
 EPT-1000 TC is a trademark of Boston Scientific, Inc.
 Shuttle is a trademark of Stockert Instrumente GmbH.

ACCESS

EP Short Introducers

Fast-Cath™ Hemostasis Introducers	B.3-B.4
Fast-Cath™ Duo Hemostasis Introducers.....	B.5-B.6
Fast-Cath™ Trio Hemostasis Introducers	B.7-B.8

SJM™ Peel-Away Introducers

SJM™ Peel-Away Introducers	B.9-B.11
----------------------------------	----------

EP Guiding Introducers, Right Side Access

Cath-Lock™ Locking Hub Guiding Introducer.....	B.12
Swartz™ SR™ Series Guiding Introducers	B.13-B.14
RAMP™ Series Guiding Introducers.....	B.15
SAFL™ Series Guiding Introducers	B.16
SEPT™ Series Guiding Introducers	B.17
CSTA™ Series Guiding Introducers.....	B.18
Specialty Curve Series 8 F, 10 F Guiding Introducers	B.19

EP Epicardial Access

Epicardial Catheter System	B.20
----------------------------------	------

EP Transseptal Access

Agilis™ NxT Steerable Guiding Introducers	B.21-B.25
Swartz™ Braided Transseptal Series Guiding Introducers (SL™ and LAMP™)	B.26-B.29
Swartz™ SL™ Series Guiding Introducers.....	B.30-B.32
“Mullins” Style Guiding Introducers	B.33-B.35
Adaptor	B.36
BRK™ and BRK™ XS Transseptal Needles.....	B.37-B.38

Fast-Cath™ Hemostasis Introducers

12 cm Sheath
4 F – 9 F

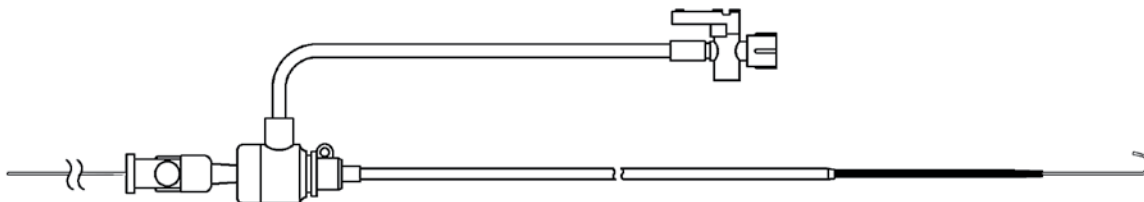
Product Highlights

- Close tolerance extrusion and proprietary tipping process facilitate tracking on a guidewire
- Convenient suture rings to secure sheath during catheter manipulation or during prolonged vascular access
- Valve preserves catheter handling characteristics while minimizing backbleeding and air aspiration
- Snap lock feature secures dilator in sheath during insertion

Ordering Information

Introducer Sheath with Hemostasis Valve and Sideport, Dilator, and 150 cm Double Distal Guidewire with “J” and straight ends (10 units per box)

REORDER NUMBER	FRENCH SIZE	MAXIMUM GUIDEWIRE DIAMETER (IN)	SHEATH USABLE LENGTH (CM)
Standard .038 Guidewire			
406100	5	.038	12
406151	5.5	.038	12
406104	6	.038	12
406153	6.5	.038	12
406108	7	.038	12
406119	7.5	.038	12
406112	8	.038	12
406123	8.5	.038	12
406116	9	.038	12
Small Guidewire Introducers			
406115	4	.025	12
406397	4.5	.025	12
406101	5	.032	12
406105	6	.032	12
406109	7	.032	12



Fast-Cath™ Hemostasis Introducers Cath-Lock™ Locking Hub

12 cm Sheath
4 F – 9 F

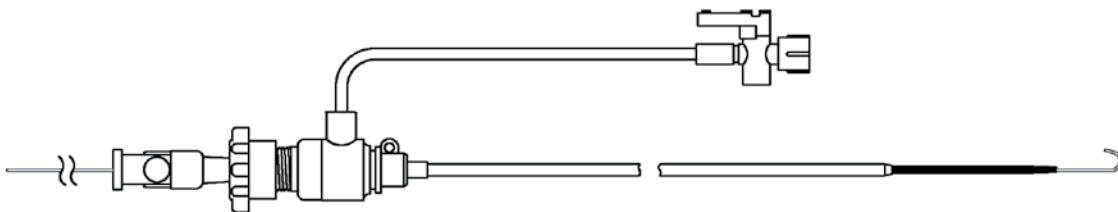
Product Highlights

- Close tolerance extrusion and proprietary tipping process facilitate tracking on a guidewire
- Convenient suture rings to secure sheath during catheter manipulation or during prolonged vascular access
- Valve preserves catheter handling characteristics while minimizing backbleeding and air aspiration
- Cath-Lock™ locking hub secures indwelling catheters in position
- Snap lock feature secures dilator in sheath during insertion

Ordering Information

Cath-Lock™ Introducer Sheath with Hemostasis Valve and Sideport, Dilator, and 50 cm Double Distal Guidewire with “J” and straight ends (10 units per box)

REORDER NUMBER	FRENCH SIZE	MAXIMUM GUIDEWIRE DIAMETER (IN)	SHEATH USABLE LENGTH (CM)
406709	4	.035	12
406700	5	.038	12
406703	5.5	.038	12
406701	6	.038	12
406704	6.5	.038	12
406702	7	.038	12
406705	7.5	.038	12
406706	8	.038	12
406707	8.5	.038	12
406708	9	.038	12



Fast-Cath™ Duo Hemostasis Introducers Cath-Lock™ Locking Hub

12 cm Sheath
8 F – 12 F

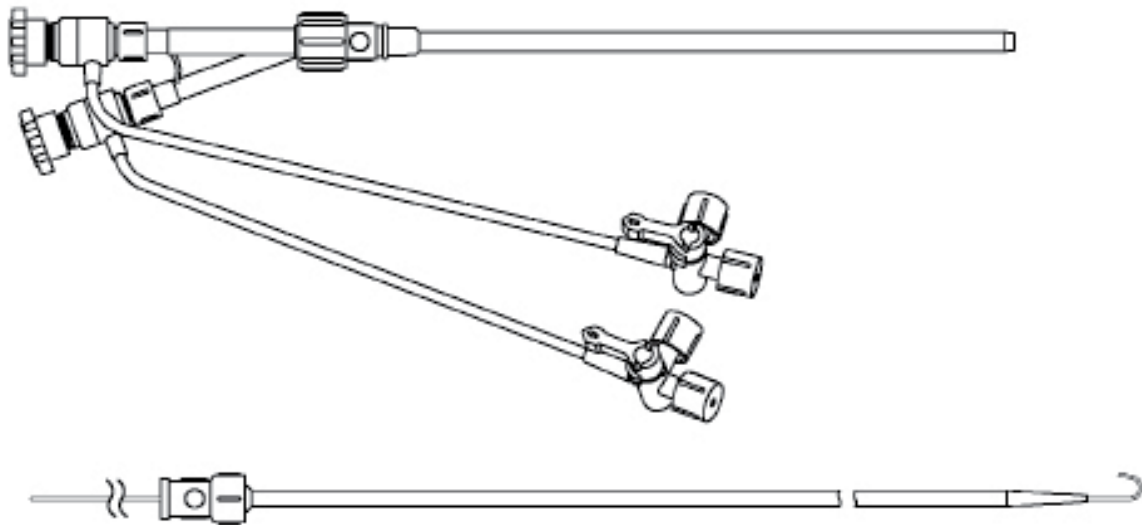
Product Highlights

- All of the advantages of Fast-Cath™ hemostasis introducer technology
- Two catheter access reduces the need for multiple punctures
- Multiple sideports to flush and aspirate prior to catheter insertion
- Color coded Cath-Lock™ caps simplify catheter site identification
- Luer lock feature secures dilator in sheath during insertion
- Cath-Lock™ locking hub secures indwelling catheters in position

Ordering Information

2 Port Hemostasis Adapter with Sideports and Cath-Lock™ sealing mechanism, Venous Sheath, Dilator and 50 cm Double Distal guidewire with “J” and straight ends (5 units per box)

REORDER NUMBER	FRENCH SIZE	MAXIMUM GUIDEWIRE DIAMETER (IN)	SHEATH USABLE LENGTH (CM)	MAXIMUM CATHETER CAPACITY
406331	8	.038	12	(2) 4 F
406307	10	.038	12	(2) 5 F
406301	12	.038	12	(2) 6 F



Fast-Cath™ Duo Hemostasis Introducer Cath-Lock™ Locking Hub

23 cm Sheath
9 F

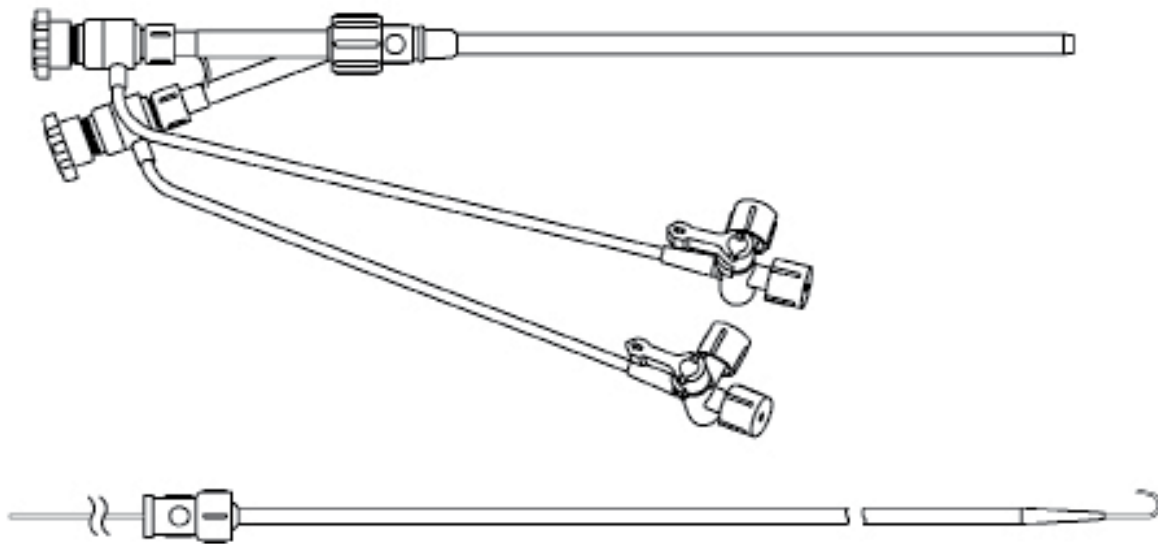
Product Highlights

- All of the advantages of Fast-Cath™ hemostasis introducer technology
- Two catheter access reduces the need for multiple punctures
- Multiple sideports to flush and aspirate prior to catheter insertion
- Color coded Cath-Lock™ caps simplify catheter site identification
- Luer lock feature secures dilator in sheath during insertion
- Cath-Lock™ locking hub secures indwelling catheters in position

Ordering Information

2 Port Hemostasis Adapter with Sideports and Cath-Lock™ sealing mechanism, Venous Sheath, Dilator and 80 cm Double Distal Guidewire with “J” and straight ends (5 units per box)

REORDER NUMBER	FRENCH SIZE	MAXIMUM GUIDEWIRE DIAMETER (IN)	SHEATH USABLE LENGTH (CM)	MAXIMUM CATHETER CAPACITY
406333	9	.038	23	(1) 4 F and (1) 5 F



Fast-Cath™ Trio Hemostasis Introducers Cath-Lock™ Locking Hub

12 cm Sheath
10 F – 14 F

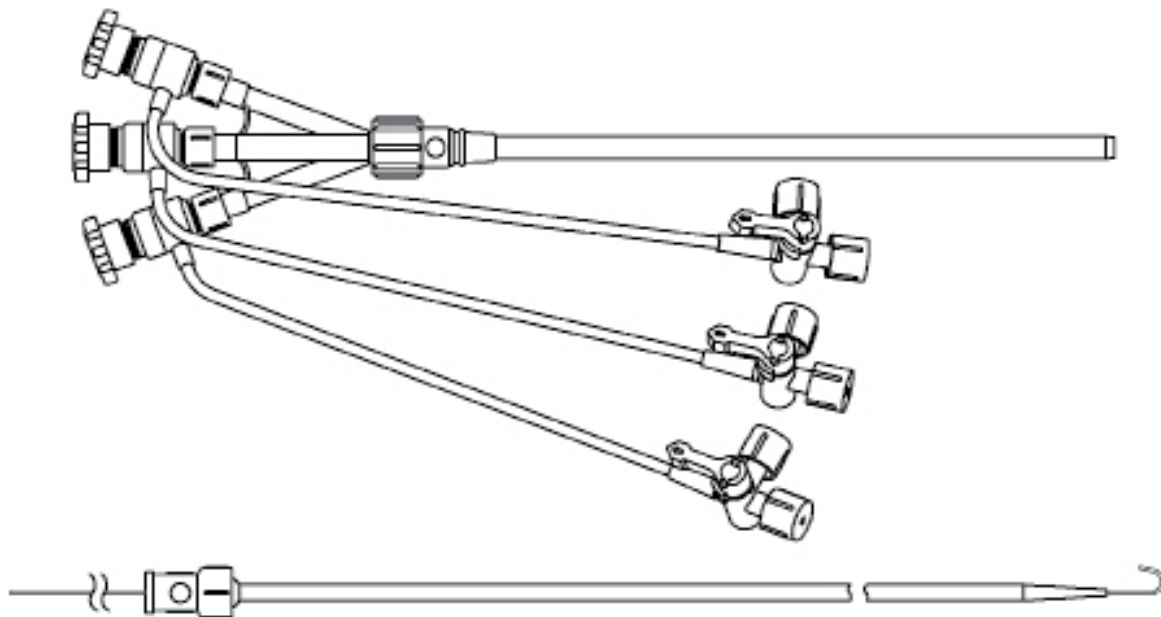
Product Highlights

- All of the advantages of Fast-Cath™ hemostasis introducer technology
- Three catheter access reduces the need for multiple punctures
- Multiple sideports to flush and aspirate prior to catheter insertion
- Color coded Cath-Lock™ caps simplify catheter site identification
- Luer lock feature secures dilator in sheath during insertion
- Cath-Lock™ locking hub secures indwelling catheters in position

Ordering Information

3 Port Hemostasis Adapter with Sideports and Cath-Lock™ sealing mechanism, Venous Sheath, Dilator and 50 cm Double Distal Guidewire with “J” and straight ends (5 units per box)

REORDER NUMBER	FRENCH SIZE	MAXIMUM GUIDEWIRE DIAMETER (IN)	SHEATH USABLE LENGTH (CM)	MAXIMUM CATHETER CAPACITY
406308	10	.038	12	(2) 4 F and (1) 5 F
406306	12	.038	12	(2) 5 F and (1) 7 F
406303	14	.038	12	(2) 6 F and (1) 7 F



Fast-Cath™ Trio Hemostasis Introducer Cath-Lock™ Locking Hub

23 cm Sheath
10 F

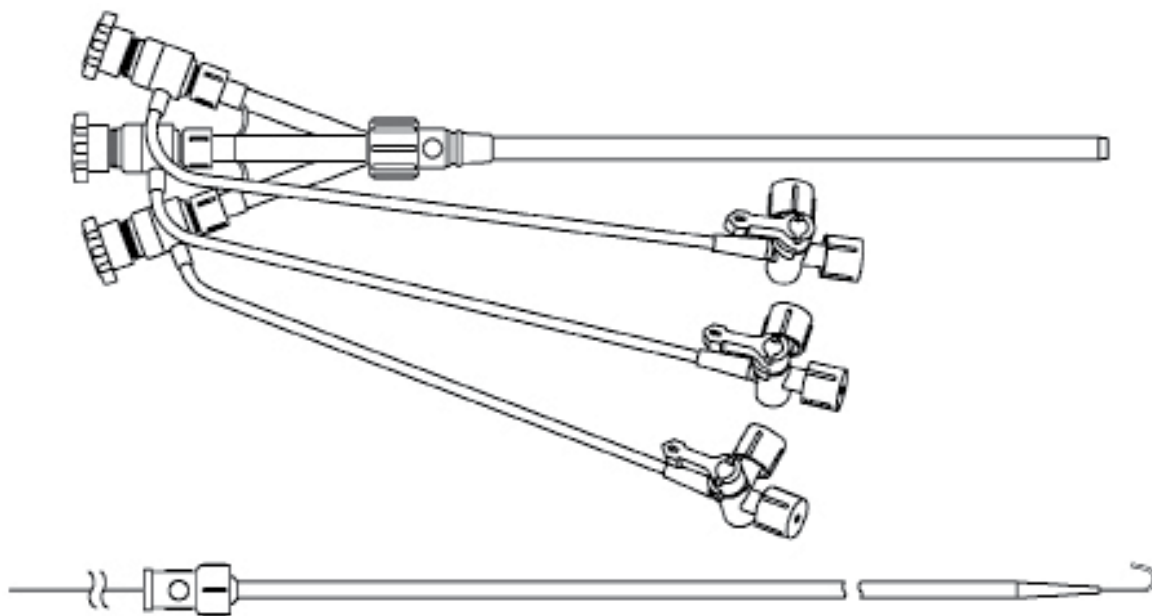
Product Highlights

- All of the advantages of Fast-Cath™ hemostasis introducer technology
- Three catheter access reduces the need for multiple punctures
- Multiple sideports to flush and aspirate prior to catheter insertion
- Color coded Cath-Lock™ caps simplify catheter site identification
- Luer lock feature secures dilator in sheath during insertion
- Cath-Lock™ locking hub secures indwelling catheters in position

Ordering Information

3 Port Hemostasis Adapter with Sideports and Cath-Lock™ sealing mechanism, Venous Sheath, Dilator and 80 cm Double Distal Guidewire with “J” and straight ends (5 units per box)

REORDER NUMBER	FRENCH SIZE	MAXIMUM GUIDEWIRE DIAMETER (IN)	SHEATH USABLE LENGTH (CM)	MAXIMUM CATHETER CAPACITY
406335	10	.038	23	(2) 4 F and (1) 5 F



SJM™ Peel-Away Introducers

14 cm Sheath

5 F – 16 F

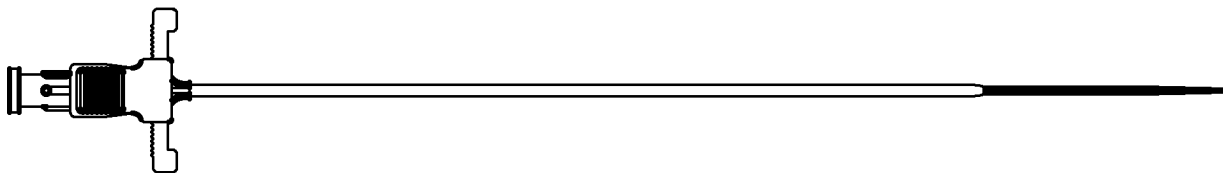
Product Highlights

- Proprietary materials improve insertion characteristics and reduce vessel trauma
- Close tolerance extrusion and proprietary tipping process facilitate tracking on a guidewire
- Reliable peeling characteristics¹
- Sheath can be totally occluded without kinking to prevent air aspiration
- Di-Lock™ feature secures dilator in sheath during insertion

Ordering Information

SJM™ Peel-Away Sheath and Di-Lock™ Dilator (5 units per box)

REORDER NUMBER	FRENCH SIZE	MAXIMUM GUIDEWIRE DIAMETER (IN)	SHEATH USABLE LENGTH (CM)
405404	6	.038	14
405408	7	.038	14
405412	8	.038	14
405416	9	.038	14
405418	9.5	.038	14
405420	10	.038	14
405422	10.5	.038	14
405424	11	.038	14
405428	12	.038	14



1. AFD PD Requirements Trace Matrix 90085231, section 3.1.

SJM™ Peel-Away Introducers

14 cm Sheath
 Introducer Kit
 5 F – 16 F

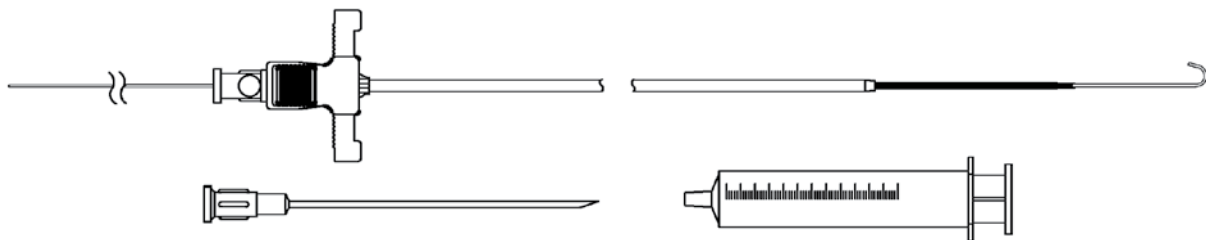
Product Highlights

- Proprietary materials improve insertion characteristics and reduce vessel trauma
- Close tolerance extrusion and proprietary tipping process facilitate tracking on a guidewire
- Reliable peeling characteristics¹
- Sheath can be totally occluded without kinking to prevent air aspiration
- Di-Lock™ feature secures dilator in sheath during insertion

Ordering Information

SJM™ Peel-Away Sheath, Di-Lock™ Dilator, 12 cc syringe, 18 ga. XTW Needle, and 50 cm Guidewire with 3 mm “J”
 (5 units per box)

REORDER NUMBER	FRENCH SIZE	MAXIMUM GUIDEWIRE DIAMETER (IN)	SHEATH USABLE LENGTH (CM)
405104	6	.038	14
405108	7	.038	14
405112	8	.038	14
405116	9	.038	14
405118	9.5	.038	14
405120	10	.038	14
405122	10.5	.038	14
405124	11	.038	14
405128	12	.038	14
405136	14	.038	14



1. AFD PD Requirements Trace Matrix 90085231, section 3.1.

SJM™ Peel-Away Introducers

23 cm Sheath
7 F – 14 F

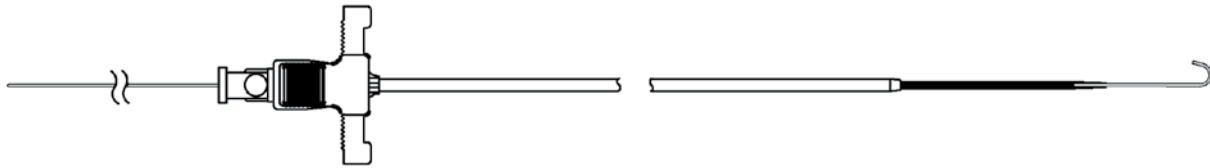
Product Highlights

- Proprietary materials improve insertion characteristics and reduce vessel trauma
- Close tolerance extrusion and proprietary tipping process facilitate tracking on a guidewire
- Reliable peeling characteristics¹
- Sheath can be totally occluded without kinking to prevent air aspiration
- Di-Lock™ feature secures dilator in sheath during insertion

Ordering Information

SJM™ Peel-Away Sheath, Di-Lock™ Dilator, and 80 cm Guidewire with 3 mm “J” (10 units per box)

REORDER NUMBER	FRENCH SIZE	MAXIMUM GUIDEWIRE DIAMETER (IN)	SHEATH USABLE LENGTH (CM)
405269	7	.038	23
405270	8	.038	23
405254	9	.038	23



1. AFD PD Requirements Trace Matrix 90085231, section 3.1.

Fast-Cath™ Guiding Introducer Cath-Lock™ Locking Hub, 135° curve

60 cm Length
8 F – 8.5 F

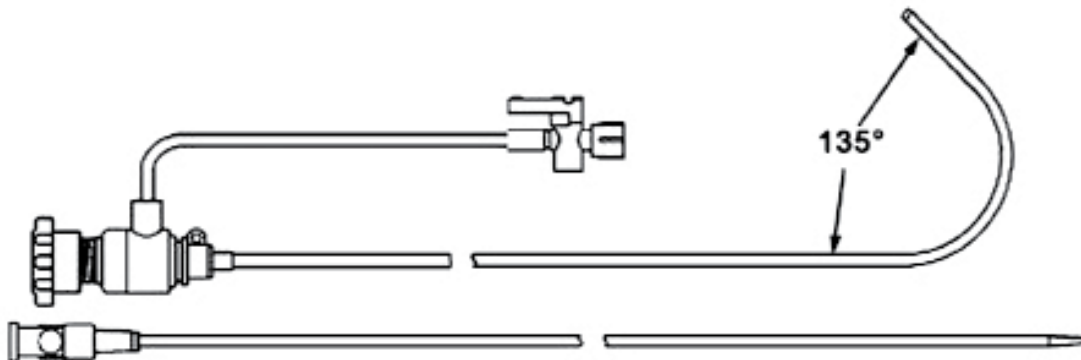
Product Highlights

- All of the advantages of Fast-Cath™ hemostasis introducer technology
- Cath-Lock™ locking hub secures indwelling catheters in position
- Snap lock feature secures dilator in sheath during insertion
- Sideholes and Radiopaque tip marker at distal end of the sheath

Ordering Information

Cath-Lock™ Introducer Sheath with Hemostasis Valve and Sideport, Dilator
(1 unit per box)

REORDER NUMBER	SHEATH FRENCH SIZE	DILATOR FRENCH SIZE	MAXIMUM GUIDEWIRE DIAMETER (IN)	CURVE TYPE	SHEATH USABLE LENGTH (CM)
406886	8	8	.038	135°	60



Fast-Cath™ Guiding Introducers

Swartz™ SR™ Series

63 cm Length
8 F – 8.5 F

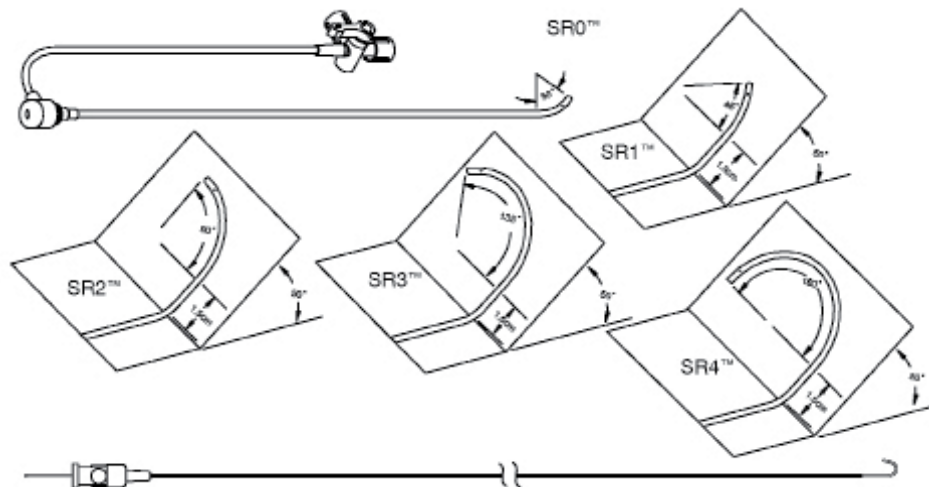
Product Highlights

- All of the advantages of Fast-Cath™ hemostasis introducer technology
- Sideholes and radiopaque tip marker at the distal end of the sheath

Ordering Information

Swartz™ Introducer Sheath with Hemostasis Valve and Sideport, Dilator, and 145 cm Guidewire with Finger Straightenable 3 mm “J” (1 unit per box)

REORDER NUMBER	SHEATH FRENCH SIZE	DILATOR FRENCH SIZE	MAXIMUM GUIDEWIRE DIAMETER (IN)	CURVE TYPE	SHEATH USABLE LENGTH (CM)
406844	8	8	.038	SR0™	63
406845	8	8	.038	SR1™	63
406846	8	8	.038	SR2™	63
406847	8	8	.038	SR3™	63
406848	8	8	.038	SR4™	63
406853	8.5	8.5	.038	SR0™	63
406854	8.5	8.5	.038	SR1™	63
406855	8.5	8.5	.038	SR2™	63
406856	8.5	8.5	.038	SR3™	63
406857	8.5	8.5	.038	SR4™	63



Fast-Cath™ Guiding Introducers

Swartz™ SR™ Series

81 cm Length
8 F

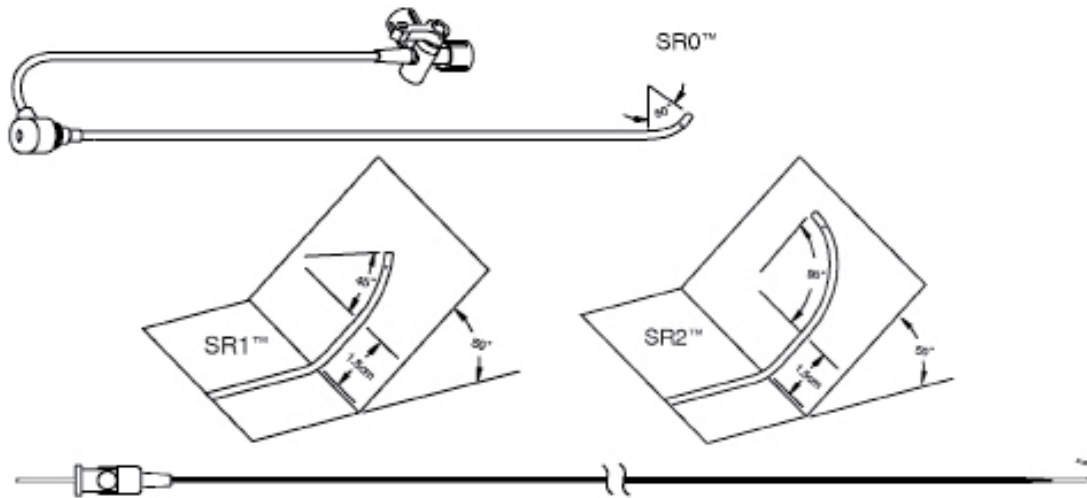
Product Highlights

- Usable sheath length extended to 81 cm
- All of the advantages of Fast-Cath™ hemostasis introducer technology
- Sideholes and radiopaque tip marker at the distal end of the sheath

Ordering Information

Swartz™ Introducer Sheath with Hemostasis Valve and Sideport, Dilator, and 180 cm Guidewire with Finger Straightenable 3 mm “J” (1 unit per box)

REORDER NUMBER	SHEATH FRENCH SIZE	DILATOR FRENCH SIZE	MAXIMUM GUIDEWIRE DIAMETER (IN)	CURVE TYPE	SHEATH USABLE LENGTH (CM)
407404	8	8	.038	SR0™	81
407405	8	8	.038	SR1™	81
407406	8	8	.038	SR2™	81



Fast-Cath™ Guiding Introducers

RAMP™ Series

60 cm Sheath
8 F – 8.5 F

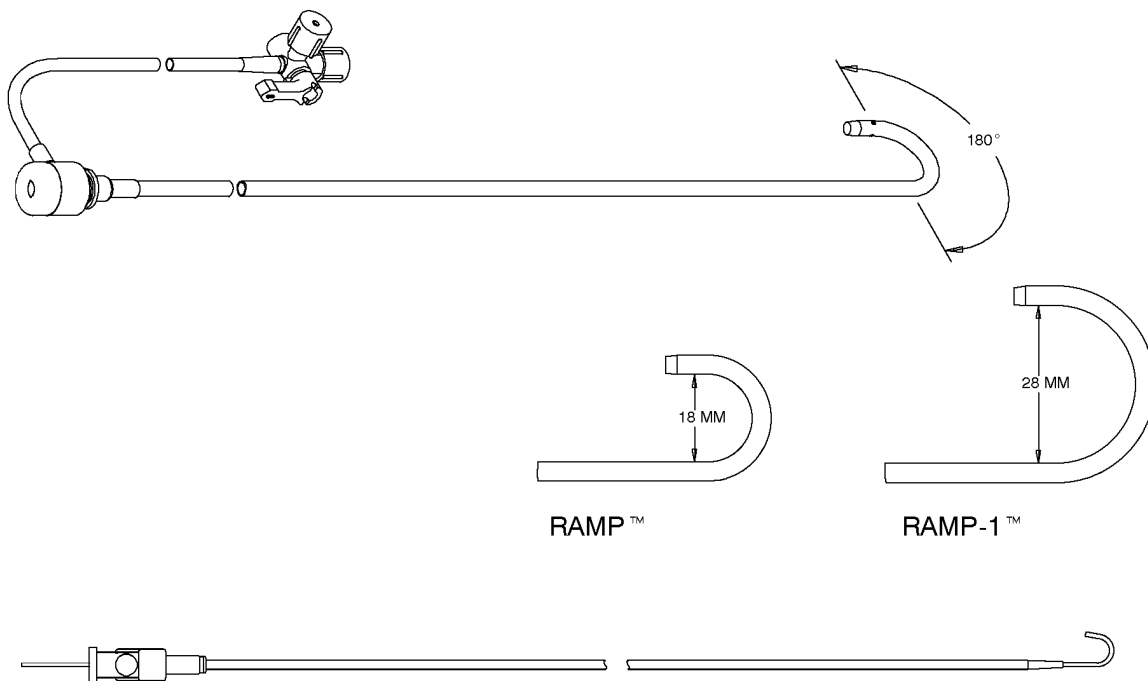
Product Highlights

- All of the advantages of Fast-Cath™ hemostasis introducer technology
- Sideholes and radiopaque tip marker at the distal end of the sheath
- Larger curve diameter of RAMP-1™ model accommodates larger ablation electrodes

Ordering Information

Introducer Sheath with Hemostasis Valve and Sideport, Dilator, and 145 cm Guidewire with 3 mm “J” (1 unit per box)

REORDER NUMBER	FRENCH SIZE	MAXIMUM GUIDEWIRE DIAMETER (IN)	CURVE TYPE	CURVE DIAMETER (MM)	SHEATH USABLE LENGTH (CM)
406898	8	.038	RAMP™	18	60
406965	8.5	.038	RAMP™	18	60
406943	8	.038	RAMP-1™	28	60
406975	8.5	.038	RAMP-1™	28	60



Fast-Cath™ Guiding Introducers

SAFL™ Series

60 cm Sheath
8 F – 8.5 F

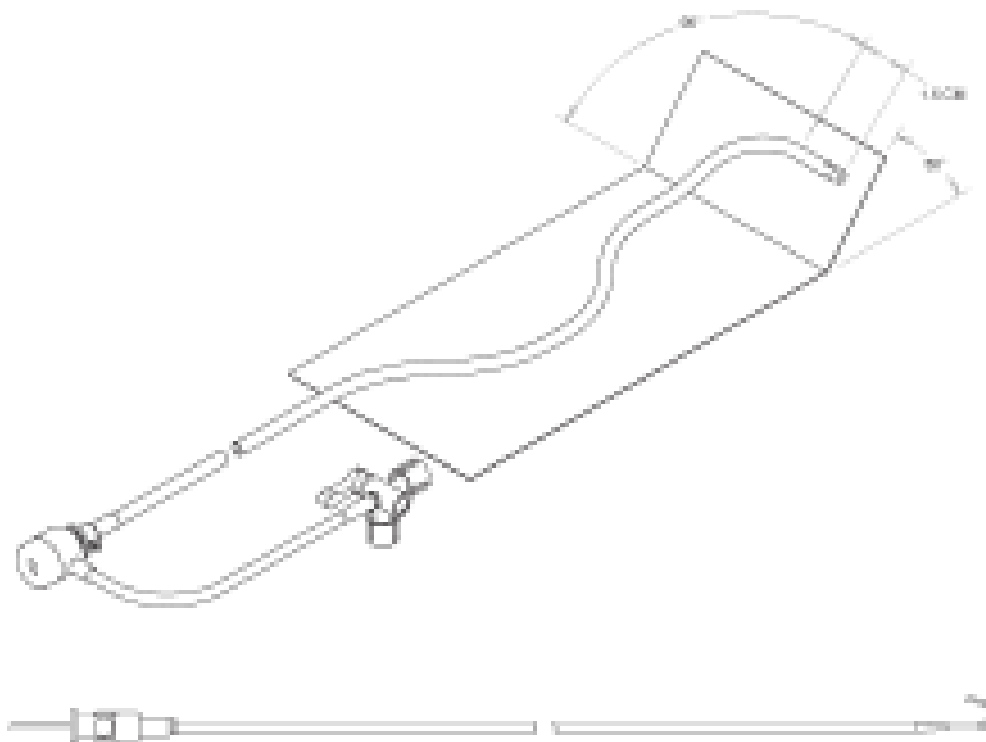
Product Highlights

- All of the advantages of Fast-Cath™ hemostasis introducer technology
- Side holes and radiopaque tip marker at the distal end of the sheath

Ordering Information

Introducer Sheath with Hemostasis Valve and Sideport, Dilator, and 145 cm Guidewire with 3 mm “J” (1 unit per box)

REORDER NUMBER	FRENCH SIZE	MAXIMUM GUIDEWIRE DIAMETER (IN)	SHEATH USABLE LENGTH (CM)
406871	8	.038	60
406868	8.5	.038	60



Fast-Cath™ Guiding Introducers SEPT™ Series

60 cm Sheath
8 F – 8.5 F

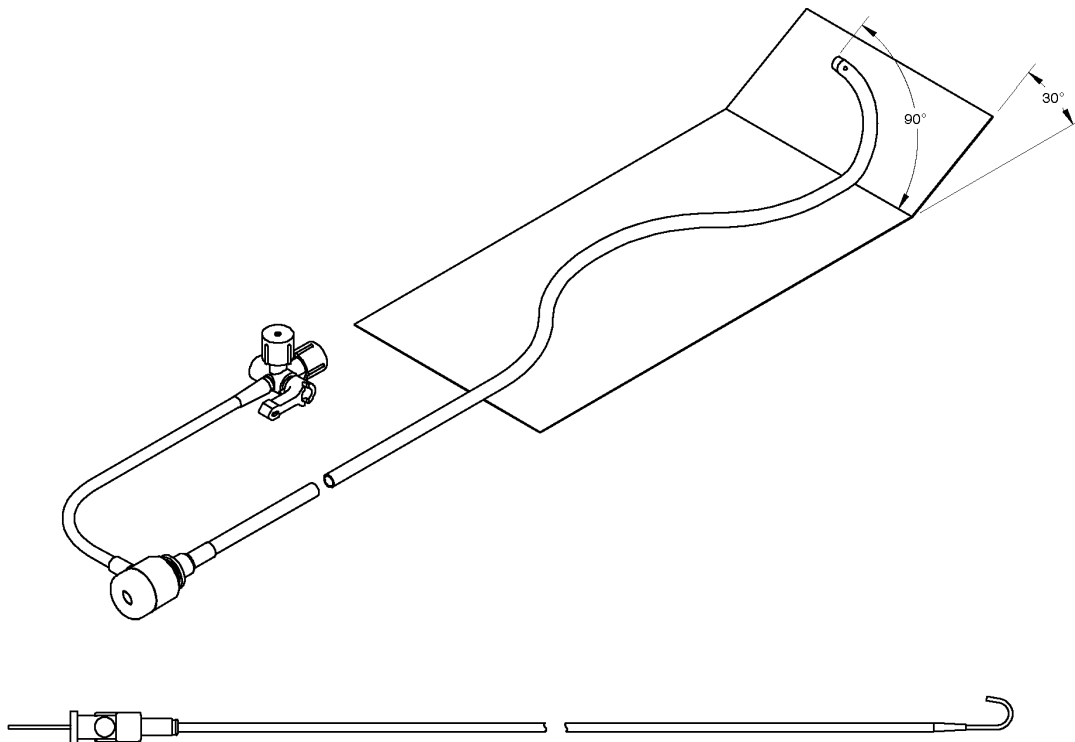
Product Highlights

- All of the advantages of Fast-Cath™ hemostasis introducer technology
- Side holes and radiopaque tip marker at the distal end of the sheath

Ordering Information

Introducer Sheath with Hemostasis Valve and Sideport, Dilator, and 145 cm Guidewire with 3 mm “J” (1 unit per box)

REORDER NUMBER	FRENCH SIZE	MAXIMUM GUIDEWIRE DIAMETER (IN)	SHEATH USABLE LENGTH (CM)
406885	8	.038	60
406894	8.5	.038	60



Fast-Cath™ Guiding Introducers CSTA™ Series

60 cm Sheath
8 F – 8.5 F

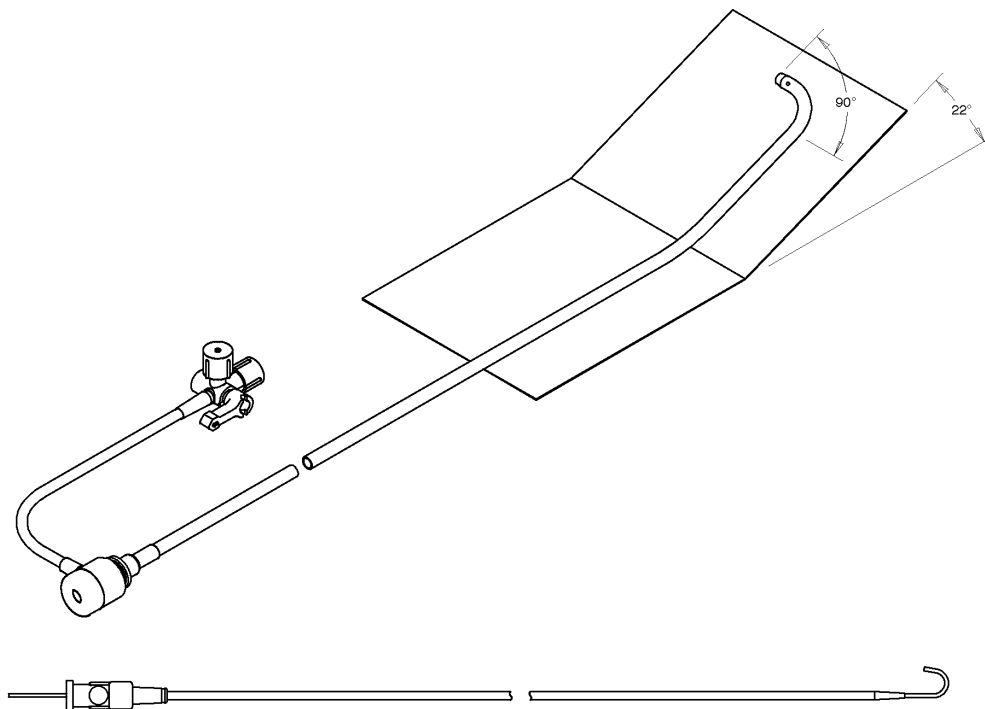
Product Highlights

- All of the advantages of Fast-Cath™ hemostasis introducer technology
- Side holes and radiopaque tip marker at the distal end of the sheath

Ordering Information

Introducer Sheath with Hemostasis Valve and Sideport, Dilator, and 145 cm Guidewire with 3 mm “J” (1 unit per box)

REORDER NUMBER	FRENCH SIZE	MAXIMUM GUIDEWIRE DIAMETER (IN)	SHEATH USABLE LENGTH (CM)
406872	8	.038	60
406870	8.5	.038	60



Fast-Cath™ Guiding Introducers Specialty Series

8 F, 10 F

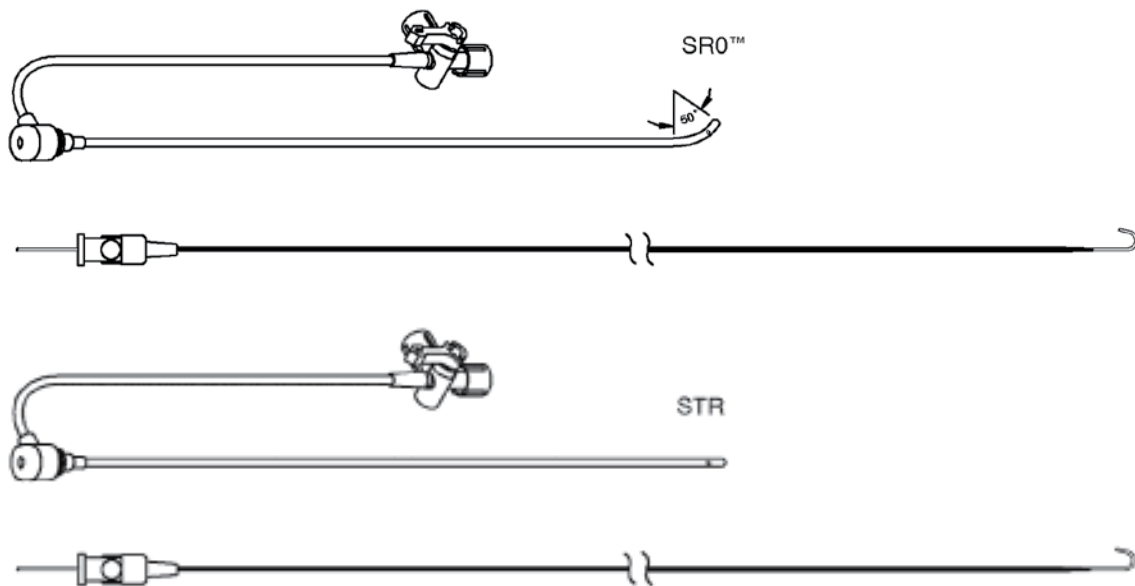
Product Highlights

- All of the advantages of Fast-Cath™ hemostasis introducer technology
- Side holes and radiopaque tip marker at the distal end of the sheath

Ordering Information

Introducer Sheath with Hemostasis Valve and Sideport, Dilator, and Guidewire with Finger Straightenable 3 mm “J” (1 unit per box)

REORDER NUMBER	SHEATH FRENCH SIZE	DILATOR FRENCH SIZE	GUIDEWIRE LENGTH AND TYPE	MAXIMUM GUIDEWIRE DIAMETER (IN)	CURVE TYPE	SHEATH USABLE LENGTH (CM)	DILATOR USABLE LENGTH (CM)
406976	8.5	8.5	145 cm	.038	Straight	63	67
406967	10	10	145 cm	.038	SR0™	63	67



Epicardial Catheter System

Agilis™ NxT Steerable Introducer

40 cm

Response™ CRD Electrophysiology Catheter

17 Gauge, 11.4 cm needle
8.5 F

Product Highlights

Agilis™ NxT Steerable Introducer:

- Precise steering control
- Ergonomic handle
- Dual-Reach™ bi-directional deflection
- Braided introducer shaft
- Atraumatic tip
- Integrated hemostasis valve
- Radiopaque tip marker

Response™ Electrophysiology Catheter:

- Torque control and pushability
- Convenient cable alleviates tedious connections

Needle:

- Tuohy-curve at tip
- Wings to facilitate ease of use
- Stylet - removable with Hub
- Centimeter length markings on needle shaft
- Luer-lock fitting

Ordering Information

8.5 F Agilis™ NxT Steerable Introducer with Tip Marker; 61 cm Lumen Length, 40 cm Usable Length, 62 cm Straight Dilator and 180 cm Super Stiff Guidewire with Finger Straightenable 3 mm “J” (1 unit per box), 6 F Response™ Quadripolar Catheter (1 unit per box), Needle 17 Gauge, 11.4 cm, Tuohy curve at tip (1 unit per box)

Agilis™ NxT Steerable Introducer

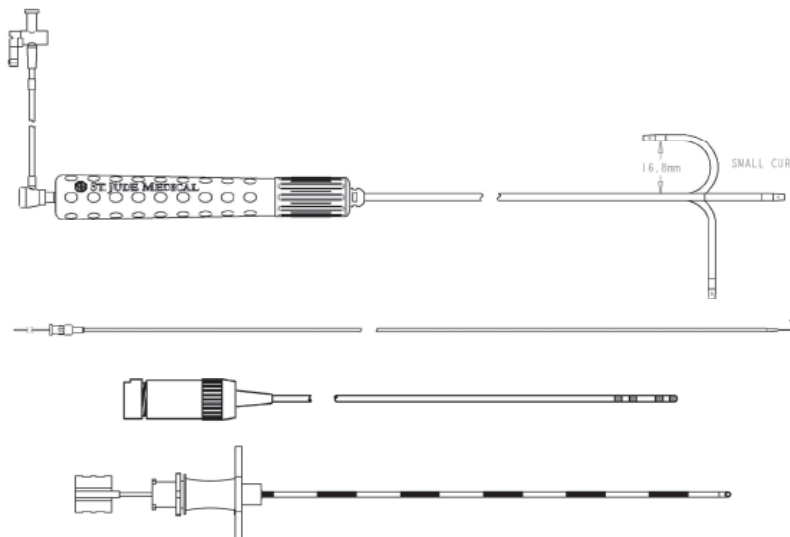
REORDER NUMBER	CURL DIMENSION	SHEATH FRENCH SIZE	DILATOR FRENCH SIZE	MAXIMUM GUIDEWIRE DIAMETER (IN)	CURVE TYPE	SHEATH USABLE LENGTH (CM)
G402047	16.8 mm	8.5	8.5	.032	Small Curl Dual-Reach™ Bi-directional	40

Response™ Electrophysiology Catheter

FRENCH SIZE	ELECTRODE SPACING (MM)	CURVE TYPE	USABLE LENGTH (CM)
6	2-5-2	CRD	120

Needle

GAUGE	LENGTH (CM)	CURVE TYPE
17	11.4	Tuohy



Agilis™ NxT Steerable Introducers Dual-Reach™

61 cm Sheath
8.5 F

Product Highlights

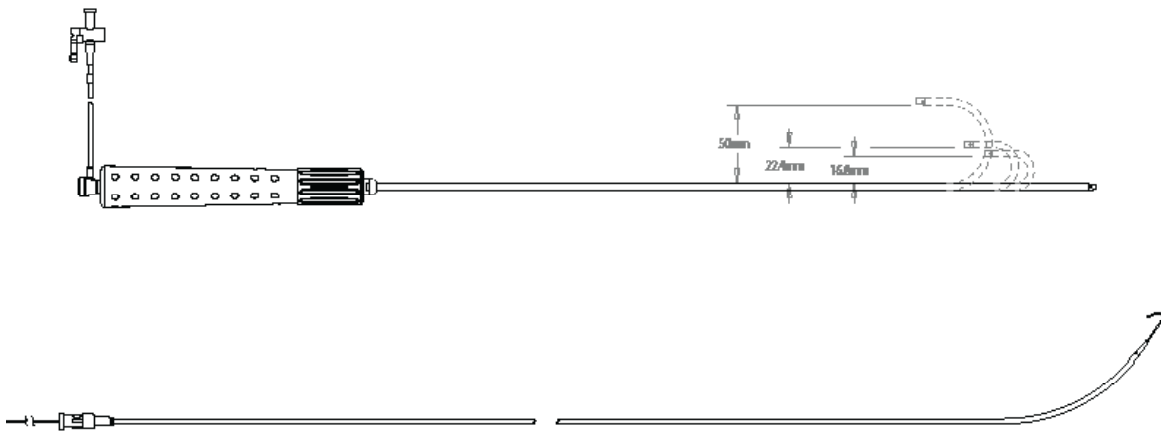
- Precise steering control
- Ergonomic handle
- Dual-Reach™ bi-directional deflection
- Braided introducer shaft with improved kink resistance
- Atraumatic tip
- Integrated hemostasis valve
- Radiopaque tip marker
- Accommodates 89 cm length BRK™ Transseptal Needles, BRK-1™ and XS series versions, see pages B.37 and B.38

Ordering Information

8.5 F Agilis™ NxT Steerable Introducer with Tip Marker; 81 cm Lumen Length, 61 cm Usable Length, Dilator and 180 cm Super Stiff Guidewire with Finger Straightenable 3 mm “J” (1 unit per box)

REORDER NUMBER	CURL DIMENSION	SHEATH FRENCH SIZE	DILATOR FRENCH SIZE	MAXIMUM GUIDEWIRE DIAMETER (IN)	CURVE TYPE	SHEATH USABLE LENGTH (CM)
G408318*	16.8 mm	8.5	8.5	.032	Small Curl Dual-Reach™ Bi-directional	61
G408319*	22.4 mm	8.5	8.5	.032	Medium Curl Dual-Reach™ Bi-directional	61

*Models with improved kink resistance



Agilis™ NxT Steerable Introducers Dual-Reach™

71 cm Sheath
8.5 F

Product Highlights

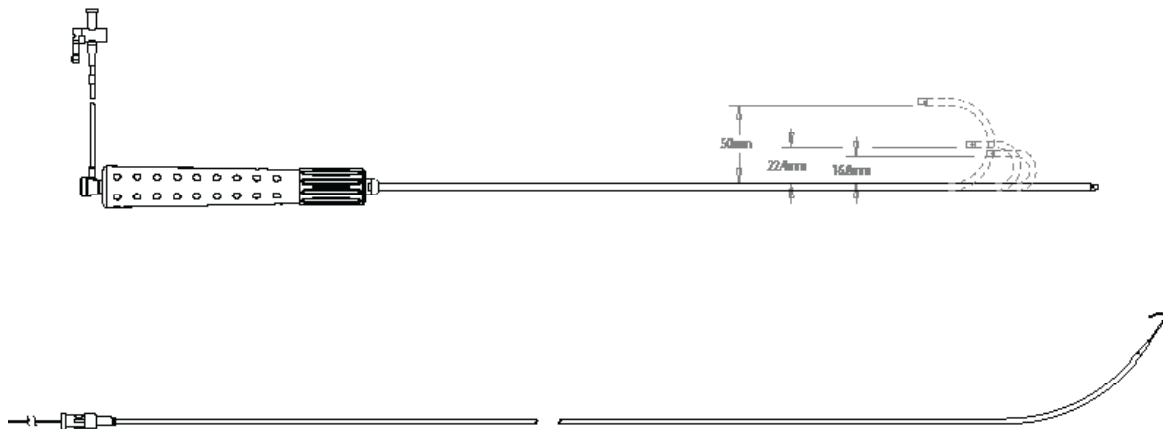
- Precise steering control
- Ergonomic handle
- Dual-Reach™ bi-directional deflection
- Braided introducer shaft
- Select models with improved kink resistance
- Atraumatic tip
- Integrated hemostasis valve
- Radiopaque tip marker
- Accommodates 98 cm length BRK™ Transseptal Needles, BRK-1™ and XS series versions, see pages B.37 and B.38

Ordering Information

8.5 F Agilis™ NxT Steerable Introducer w/Tip Marker; 91 cm Lumen Length, 71 cm Usable Length, Dilator and 180 cm Super Stiff Guidewire with Finger Straightenable 3 mm “J” (1 unit per box)

REORDER NUMBER	CURL DIMENSION	SHEATH FRENCH SIZE	DILATOR FRENCH SIZE	MAXIMUM GUIDEWIRE DIAMETER (IN)	CURVE TYPE	SHEATH USABLE LENGTH (CM)
408309	16.8 mm	8.5	8.5	.032	Small Curl Dual-Reach™ Bi-directional	71
G408320*	16.8 mm	8.5	8.5	.032	Small Curl Dual-Reach™ Bi-directional	71
408310	22.4 mm	8.5	8.5	.032	Medium Curl Dual-Reach™ Bi-directional	71
G408321*	22.4 mm	8.5	8.5	.032	Medium Curl Dual-Reach™ Bi-directional	71
G408324*	50.0 mm	8.5	8.5	.032	Large Curl Dual-Reach™ Bi-directional	71

*Models with improved kink resistance



Transseptal Kits Small Curl

8.5 F

Agilis™ NxT Steerable Introducers Dual-Reach™

71 cm Sheath

BRK™ Transseptal Needle

Product Highlights

Agilis™ NxT Steerable Introducer:

- Precise steering control
- Ergonomic handle
- Dual-Reach™ bi-directional deflection
- Braided introducer shaft
- Atraumatic tip
- Integrated hemostasis valve
- Radiopaque tip marker

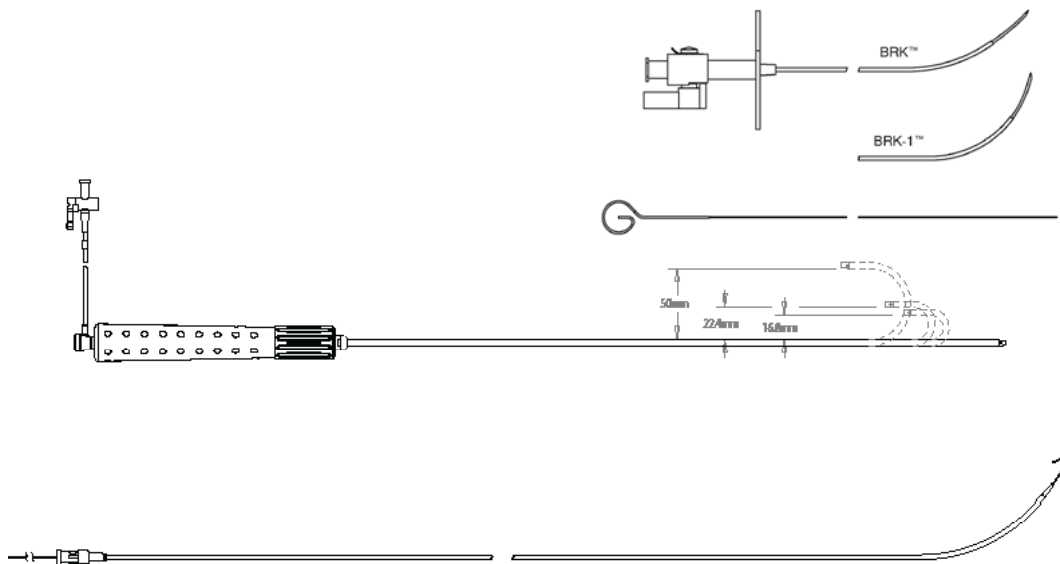
BRK™ Transseptal Needle:

- 98 cm Transseptal Needle, Adult size
- Pointer on the needle shield shows the direction of the needle curve

Ordering Information

8.5 F Agilis™ NxT Steerable Introducer with Tip Marker; 91 cm Lumen Length, 71 cm Usable Length, Dilator and 180 cm Super Stiff Guidewire with Finger Straightenable 3 mm “J” (1 unit per box) BRK™ or BRK-1™ Transseptal Needle and Stainless Steel Stylet (1 unit per box) Contents combined in one outer box (1 unit each per outer box)

REORDER NUMBER	SHEATH CURVE TYPE	SHEATH DESCRIPTION	NEEDLE CURVE TYPE	NEEDLE DESCRIPTION
408312	Small Curl	91 cm Lumen Length, 71 cm Usable Length, Dilator, 180 cm Super Stiff Guidewire with Finger Straightenable 3 mm “J”	BRK™	BRK™ Transseptal Needle and Stainless Steel Stylet, Adult 18 Ga., 98 cm Needle Usable Length
408313	Small Curl	91 cm Lumen Length, 71 cm Usable Length, Dilator, 180 cm Super Stiff Guidewire with Finger Straightenable 3 mm “J”	BRK-1™	BRK-1™ Transseptal Needle and Stainless Steel Stylet, Adult 18 Ga., 98 cm Needle Usable Length



Transseptal Kits Medium Curl

8.5 F

Agilis™ NxT Steerable Introducers Dual-Reach™

71 cm Sheath

BRK™ Transseptal Needle

8.5 F

Product Highlights

Agilis™ NxT Steerable Introducer:

- Precise steering control
- Ergonomic handle
- Dual-Reach™ bi-directional deflection
- Braided introducer shaft
- Atraumatic tip
- Integrated hemostasis valve
- Radiopaque tip marker

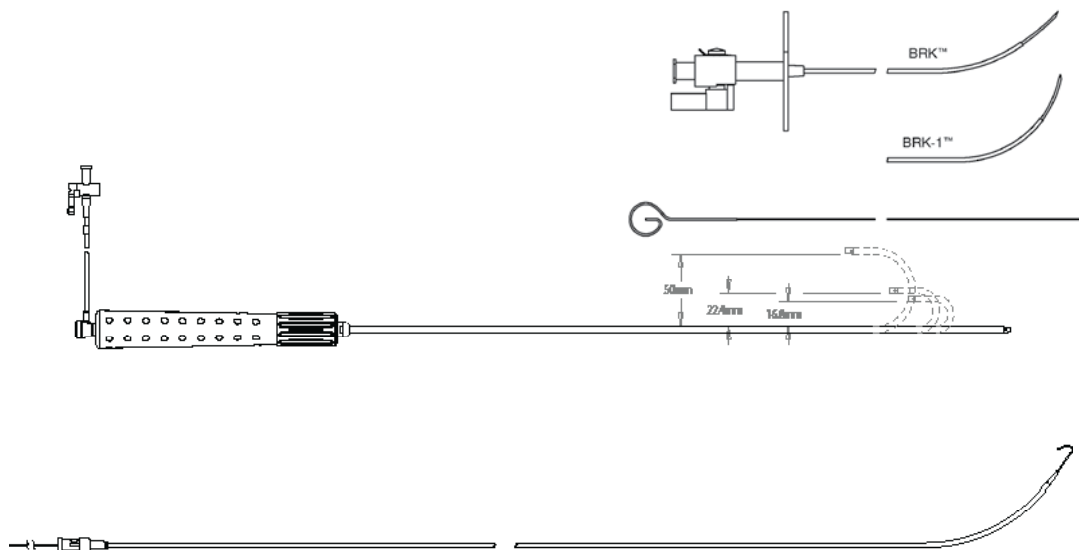
BRK™ Transseptal Needle:

- 98 cm Transseptal Needle, Adult size
- Pointer on the needle shield shows the direction of the needle curve

Ordering Information

8.5 F Agilis™ NxT Steerable Introducer with Tip Marker; 91 cm Lumen Length, 71 cm Usable Length, Dilator and 180 cm Super Stiff Guidewire with Finger Straightenable 3 mm “J” (1 unit per box) BRK™ Transseptal Needle and Stainless Steel Stylet (1 unit per box) Contents combined in one outer box (1 unit each per outer box)

REORDER NUMBER	SHEATH CURVE TYPE	SHEATH DESCRIPTION	NEEDLE CURVE TYPE	NEEDLE DESCRIPTION
408314	Medium Curl	91 cm Lumen Length, 71 cm Usable Length, Dilator, 180 cm Super Stiff Guidewire with Finger Straightenable 3 mm “J”	BRK™	BRK™ Transseptal Needle and Stainless Steel Stylet, Adult 18 Ga., 98 cm Needle Usable Length
408315	Medium Curl	91 cm Lumen Length, 71 cm Usable Length, Dilator, 180 cm Super Stiff Guidewire with Finger Straightenable 3 mm “J”	BRK-1™	BRK-1™ Transseptal Needle and Stainless Steel Stylet, Adult 18 Ga., 98 cm Needle Usable Length



Agilis™ NxT Steerable Introducer Dual-Reach™

82 cm Sheath
8.5 F

Product Highlights

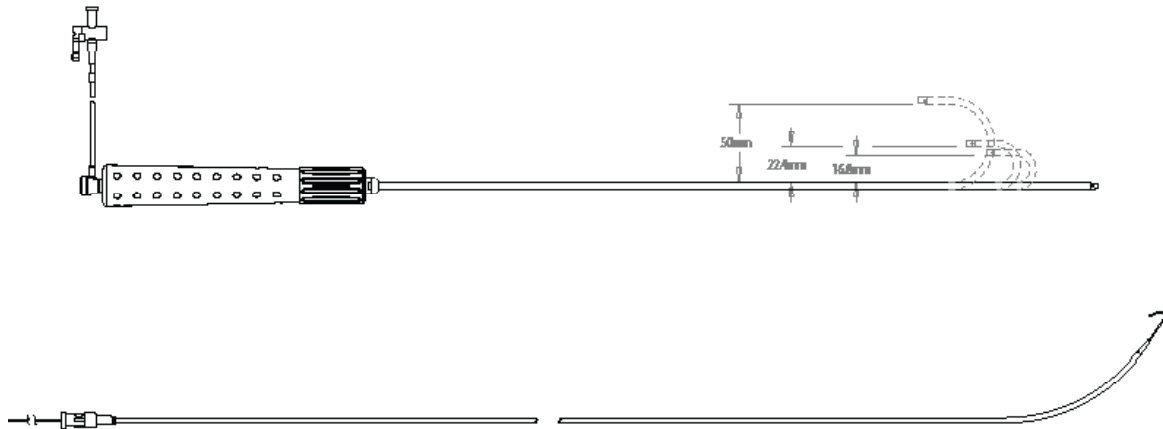
- Precise steering control
- Ergonomic handle
- Dual-Reach™ bi-directional deflection
- Braided introducer shaft
- Atraumatic tip
- Integrated hemostasis valve
- Radiopaque tip marker

Ordering Information

8.5 F Agilis™ NxT Steerable Introducer w/Tip Marker; 102 cm Lumen Length, 82 cm Usable Length, Dilator, 180 cm Super Stiff Guidewire with Finger Straightenable 3 mm “J” (1 unit per box)

REORDER NUMBER	CURL DIMENSION	SHEATH FRENCH SIZE	DILATOR FRENCH SIZE	MAXIMUM GUIDEWIRE DIAMETER (IN)	CURVE TYPE	SHEATH USABLE LENGTH (CM)
G408332*	50.0 mm	8.5	8.5	.032	Large Curl Dual-Reach™ Bi-directional	82

*Models with improved kink resistance



Swartz™ Braided Transseptal Guiding Introducers SL™ Series

63 cm Length
8 F – 8.5 F

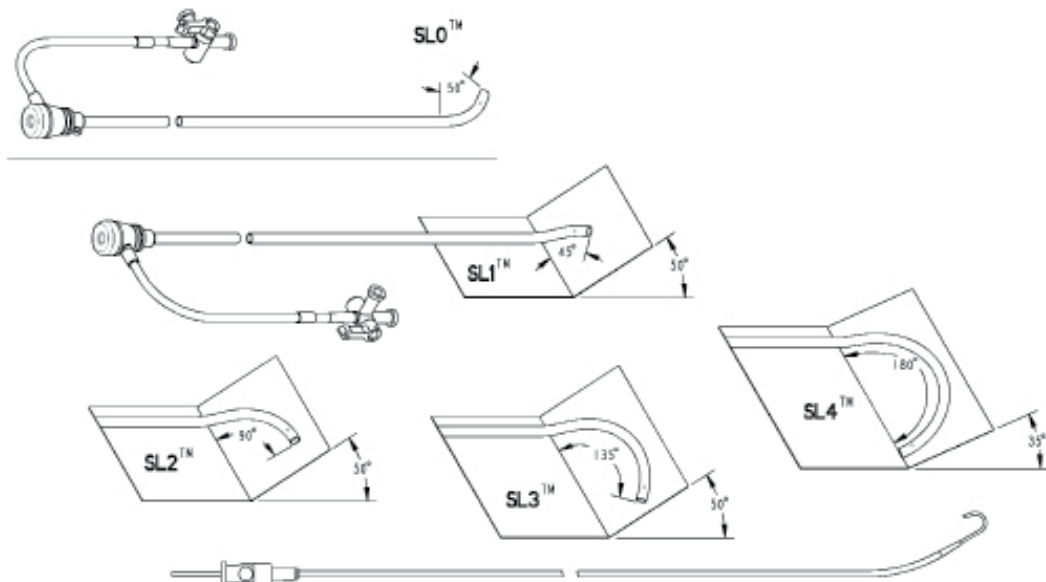
Product Highlights

- Braided sheath facilitates torqueability, pushability and catheter stability
- Ultra-soft tip for atraumatic performance
- Multiple curve options available
- Smaller offset sideholes reduce likelihood of guidewire exiting sidehole
- Ultim™ valve for effective hemostasis and minimal risk of air aspiration
- Accommodates 71 cm length BRK™ Transseptal Needles, BRK-1™ and XS series versions, see pages B.37 and B.38

Ordering Information

Swartz™ Braided SL™ Transseptal Guiding Introducer Sheath with Hemostasis Valve and Sideport, Dilator, and 180 cm Super Stiff Guidewire with Finger Straightenable 3 mm “J” (1 unit per box)

REORDER NUMBER	SHEATH FRENCH SIZE	DILATOR FRENCH SIZE	MAXIMUM GUIDEWIRE DIAMETER (IN)	CURVE TYPE	SHEATH USABLE LENGTH (CM)	DILATOR USABLE LENGTH (CM)
407449	8	8	.032	SL0™	63	67
407439	8	8	.032	SL1™	63	67
407441	8	8	.032	SL2™	63	67
407443	8	8	.032	SL3™	63	67
407446	8	8	.032	SL4™	63	67
407451	8.5	8.5	.032	SL0™	63	67
407453	8.5	8.5	.032	SL1™	63	67
407455	8.5	8.5	.032	SL2™	63	67
407457	8.5	8.5	.032	SL3™	63 </td <td>67</td>	67
407459	8.5	8.5	.032	SL4™	63	67



Swartz™ Braided Transseptal Guiding Introducers SL™ Series

81 cm Length
8 F – 8.5 F

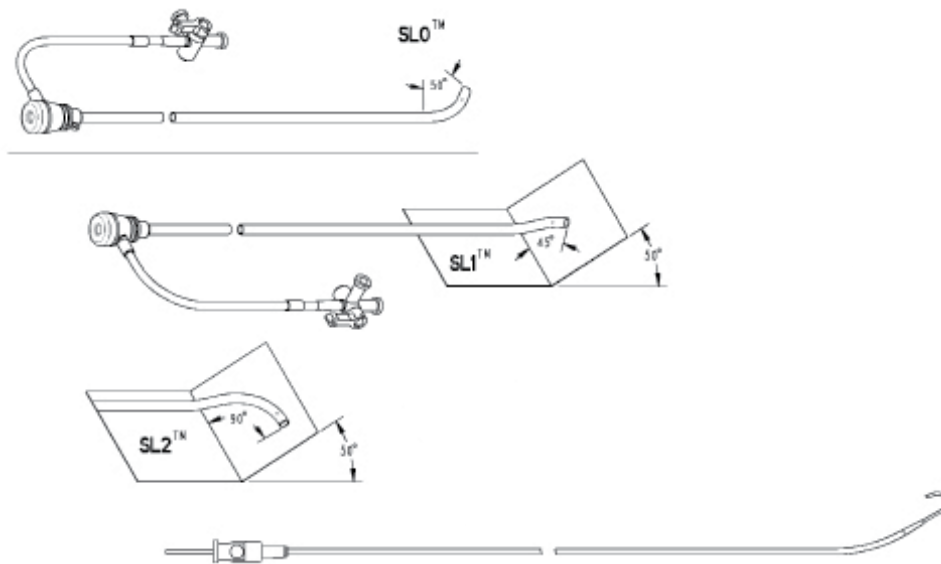
Product Highlights

- Braided sheath facilitates torqueability, pushability and catheter stability
- Ultra-soft tip for atraumatic performance
- Multiple curve options available
- Smaller offset sideholes reduce likelihood of guidewire exiting sidehole
- Ultimum™ valve for effective hemostasis and minimal risk of air aspiration
- Accommodates 89 cm length BRK™ Transseptal Needles, BRK-1™ and XS series versions, see pages B.37 and B.38

Ordering Information

Swartz™ Braided SL™ Transseptal Guiding Introducer Sheath with Hemostasis Valve and Sideport, Dilator, and 180 cm Super Stiff Guidewire with Finger Straightenable 3 mm “J” (1 unit per box)

REORDER NUMBER	SHEATH FRENCH SIZE	DILATOR FRENCH SIZE	MAXIMUM GUIDEWIRE DIAMETER (IN)	CURVE TYPE	SHEATH USABLE LENGTH (CM)	DILATOR USABLE LENGTH (CM)
407450	8	8	.032	SL0™	81	85
407440	8	8	.032	SL1™	81	85
407452	8.5	8.5	.032	SL0™	81	85
407454	8.5	8.5	.032	SL1™	81	85
407456	8.5	8.5	.032	SL2™	81	85



Swartz™ Braided Transseptal Guiding Introducers LAMP™ Series

63 cm Length
8 F – 8.5 F

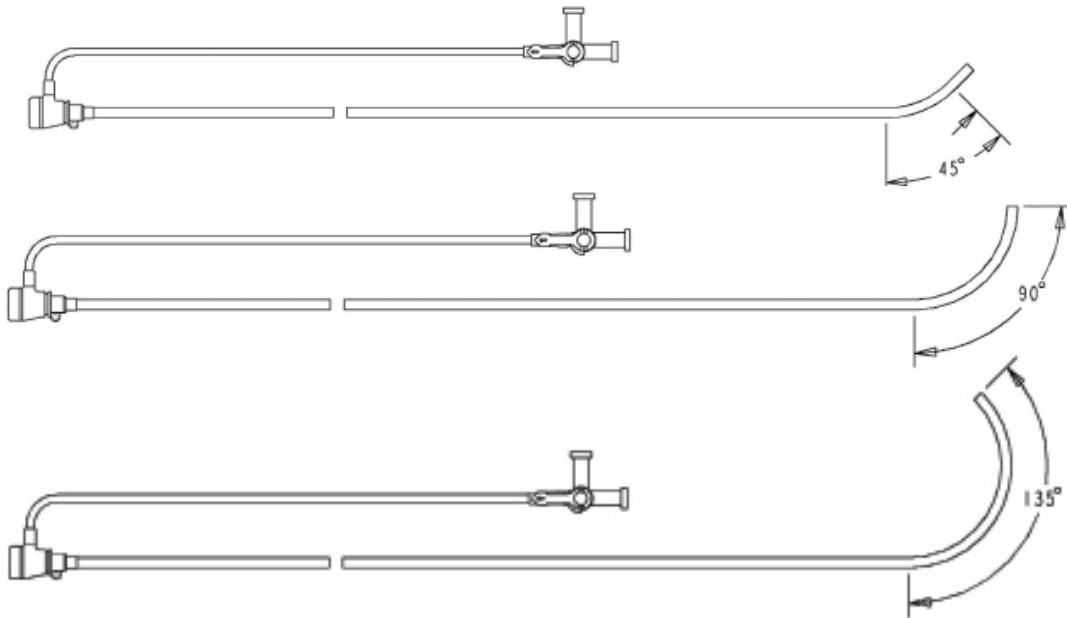
Product Highlights

- Braided sheath facilitates torquability, pushability and catheter stability
- Ultra-soft tip for atraumatic performance
- Three curve options available (LAMP™ 45, LAMP™ 90, LAMP™ 135) (LAMP = Left Atrial Multi Purpose)
- Smaller offset sideholes reduce likelihood of guidewire exiting sidehole
- Ultimum™ valve for effective hemostasis and minimal risk of air aspiration
- Accommodates 71 cm length BRK™ Transseptal Needles, BRK-1™ and XS series versions, see pages B.37 and B.38

Ordering Information

Swartz™ Braided LAMP™ Transseptal Guiding Introducer Sheath with Hemostasis valve and Sideport, Dilator, and 180 cm Super Stiff Guidewire 3 mm “J” (1 unit per box)

REORDER NUMBER	SHEATH FRENCH SIZE	DILATOR FRENCH SIZE	MAXIMUM GUIDEWIRE DIAMETER (IN)	CURVE TYPE	SHEATH USABLE LENGTH (CM)	DILATOR USABLE LENGTH (CM)
407360	8	8	.032	LAMP™ 45	63	67
407362	8.5	8.5	.032	LAMP™ 45	63	67
407356	8	8	.032	LAMP™ 90	63	67
407358	8.5	8.5	.032	LAMP™ 90	63	67
407364	8	8	.032	LAMP™ 135	63	67
407366	8.5	8.5	.032	LAMP™ 135	63	67



Swartz™ Braided Transseptal Guiding Introducers LAMP™ Series

81 cm Length
8 F – 8.5

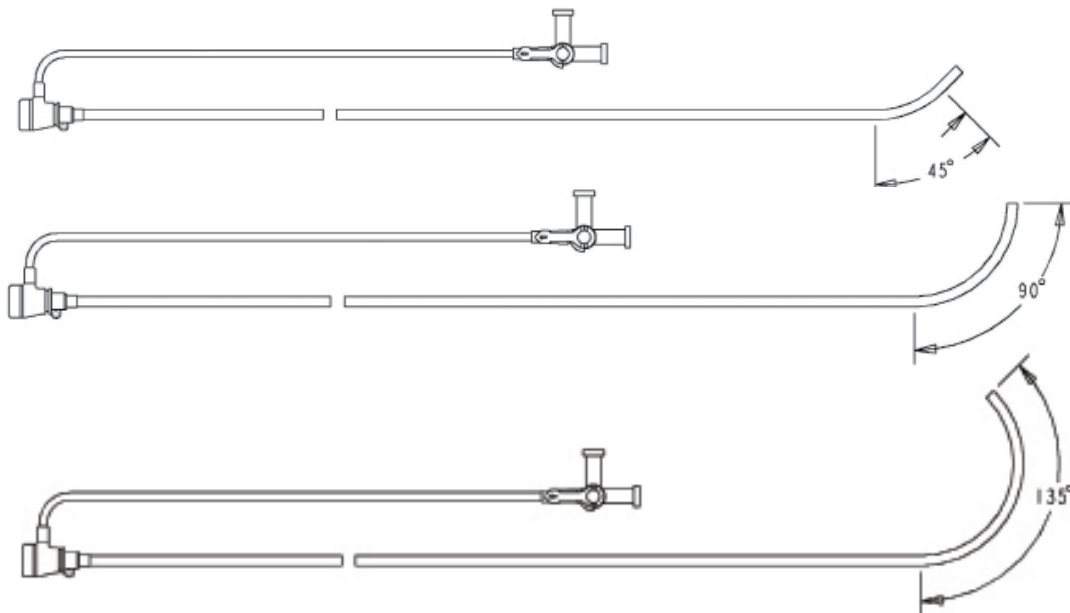
Product Highlights

- Braided sheath facilitates torquability, pushability and catheter stability
- Ultra-soft tip for atraumatic performance
- Three curve options available (LAMP™ 45, LAMP™ 90, LAMP™ 135) (LAMP = Left Atrial Multi Purpose)
- Smaller offset sideholes reduce likelihood of guidewire exiting sidehole
- Ultimum™ valve for effective hemostasis and minimal risk of air aspiration
- Accommodates 89 cm length BRK™ Transseptal Needles, BRK-1™ and XS series versions, see pages B.37 and B.38

Ordering Information

Swartz™ Braided LAMP™ Transseptal Guiding Introducer Sheath with Hemostasis valve and Sideport, Dilator, and 180 cm Super Stiff Guidewire 3 mm “J” (1 unit per box)

REORDER NUMBER	SHEATH FRENCH SIZE	DILATOR FRENCH SIZE	MAXIMUM GUIDEWIRE DIAMETER (IN)	CURVE TYPE	SHEATH USABLE LENGTH (CM)	DILATOR USABLE LENGTH (CM)
407363	8.5	8.5	.032	LAMP™ 45	81	85
407359	8.5	8.5	.032	LAMP™ 90	81	85
407367	8.5	8.5	.032	LAMP™ 135	81	85



Fast-Cath™ Transseptal Guiding Introducers Swartz™ SL™ Transseptal Series

63 cm Length
8 F – 8.5 F

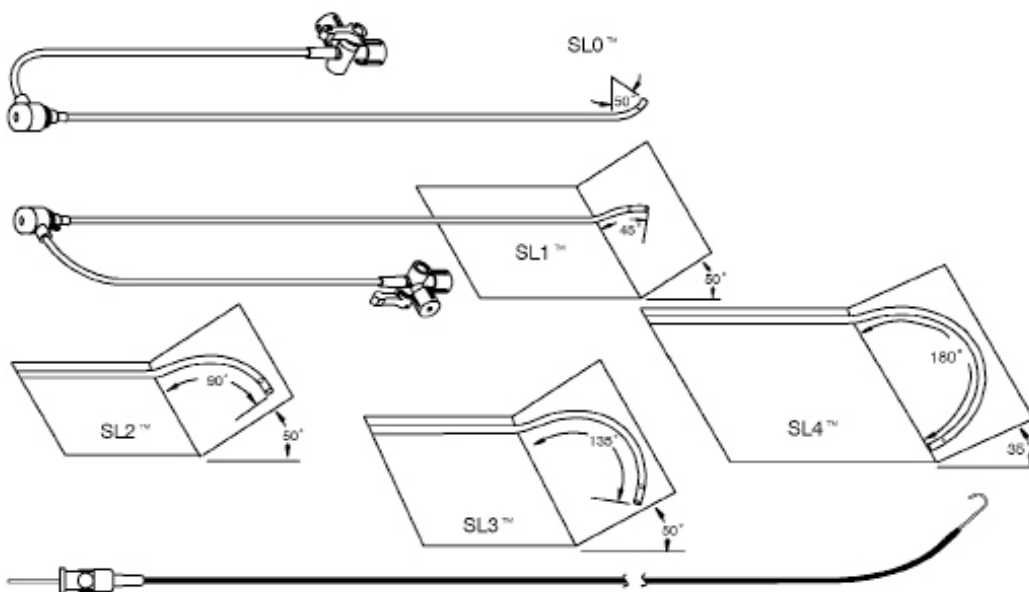
Product Highlights

- All of the advantages of Fast-Cath™ hemostasis introducer technology
- Sideholes and radiopaque tip marker at the distal end of the sheath
- Centimeter markings on the proximal portion of the dilator
- Accommodates 71 cm length BRK™ Transseptal Needles, BRK-1™ and XS series versions, see pages B.37 and B.38

Ordering Information

Swartz™ Introducer Sheath with Hemostasis Valve and Sideport, Dilator and 180 cm Super Stiff Guidewire with Finger Straightenable 3 mm “J” (1 unit per box)

REORDER NUMBER	SHEATH FRENCH SIZE	DILATOR FRENCH SIZE	MAXIMUM GUIDEWIRE DIAMETER (IN)	CURVE TYPE	SHEATH USABLE LENGTH (CM)	DILATOR USABLE LENGTH (CM)
406948	8	8	.032	SL0™	63	67
406840	8	8	.032	SL1™	63	67
406841	8	8	.032	SL2™	63	67
406842	8	8	.032	SL3™	63	67
406843	8	8	.032	SL4™	63	67
406849	8.5	8.5	.032	SL1™	63	67
406850	8.5	8.5	.032	SL2™	63	67
406851	8.5	8.5	.032	SL3™	63	67
406852	8.5	8.5	.032	SL4™	63	67



Fast-Cath™ Transseptal Guiding Introducers Swartz™ SL™ Transseptal Series

81 cm Length
8 F

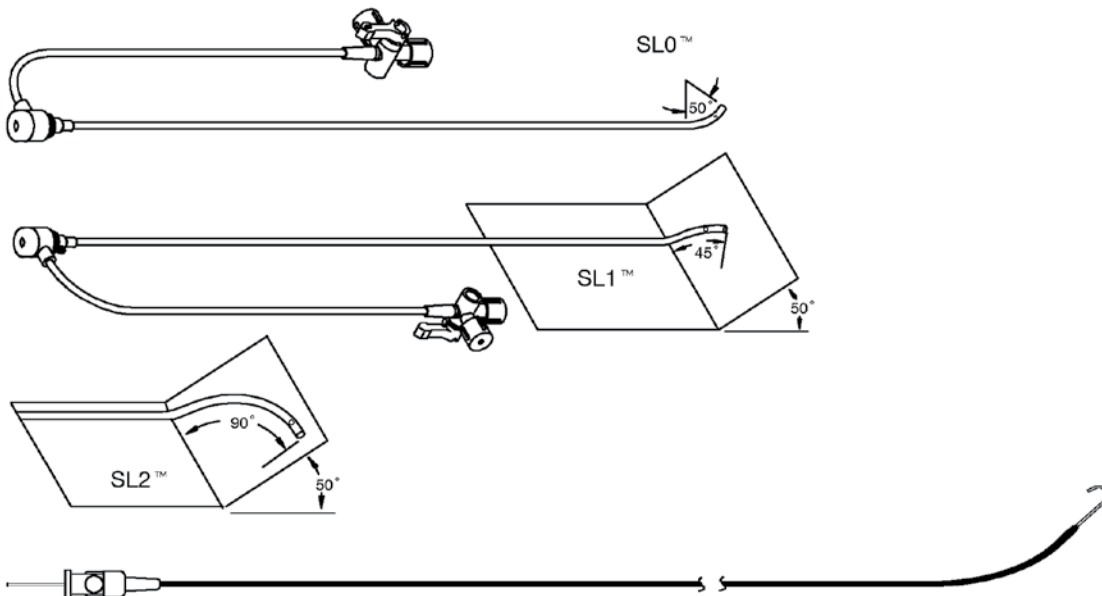
Product Highlights

- All of the advantages of Fast-Cath™ hemostasis introducer technology
- Sideholes and radiopaque tip marker at the distal end of the sheath
- Centimeter markings on the proximal portion of the dilator
- Accommodates 89 cm length BRK™ Transseptal Needles, BRK-1™ and XS series versions, see pages B.37 and B.38

Ordering Information

Swartz™ Introducer Sheath with Hemostasis Valve and Sideport, Dilator and 180 cm Super Stiff Guidewire with Finger Straightenable 3 mm “J” (1 unit per box)

REORDER NUMBER	SHEATH FRENCH SIZE	DILATOR FRENCH SIZE	MAXIMUM GUIDEWIRE DIAMETER (IN)	CURVE TYPE	SHEATH USABLE LENGTH (CM)	DILATOR USABLE LENGTH (CM)
406949	8	8	.032	SL0™	81	85
407400	8	8	.032	SL1™	81	85
407401	8	8	.032	SL2™	81	85



Fast-Cath™ Transseptal Guiding Introducers SL™ Series

10 F

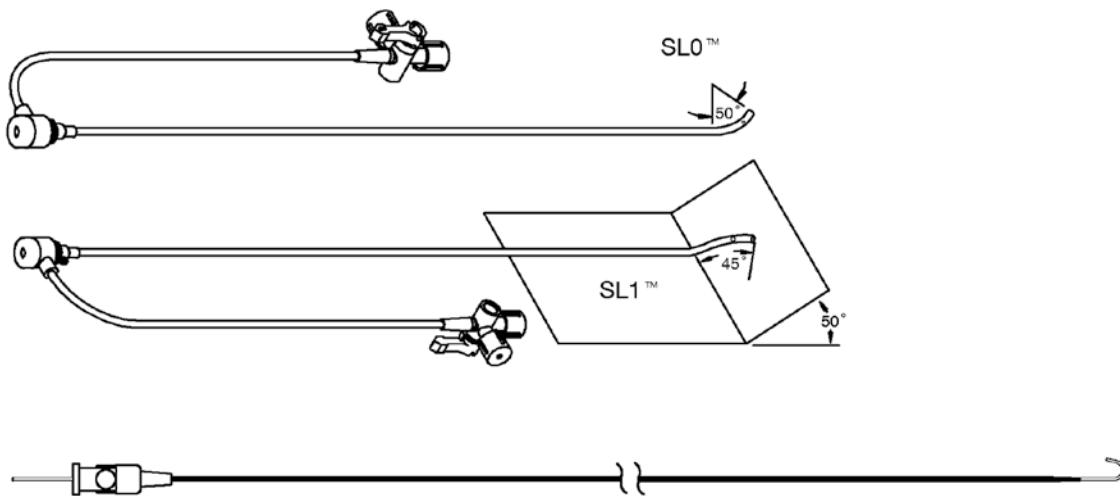
Product Highlights

- All of the advantages of Fast-Cath™ hemostasis introducer technology
- Sideholes and radiopaque tip marker at the distal end of the sheath
- The 63 cm sheath accommodates a 71 cm length BRK™ Transseptal Needles, BRK-1™ and XS series versions, see pages B.37 and B.38

Ordering Information

Introducer Sheath with Hemostasis Valve and Sideport, Dilator, and Guidewire with Finger Straightenable 3 mm “J”
(1 unit per box)

REORDER NUMBER	SHEATH FRENCH SIZE	DILATOR FRENCH SIZE	GUIDEWIRE LENGTH AND TYPE	MAXIMUM GUIDEWIRE DIAMETER (IN)	CURVE TYPE	SHEATH USABLE LENGTH (CM)	DILATOR USABLE LENGTH (CM)
406968	10	10	180 cm, Superstiff	.032	SL0™	63	67
406969	10	10	180 cm, Superstiff	.032	SL1™	63	67



Fast-Cath™ Transseptal Guiding Introducers

61 cm Sheath
6 F – 8.5 F

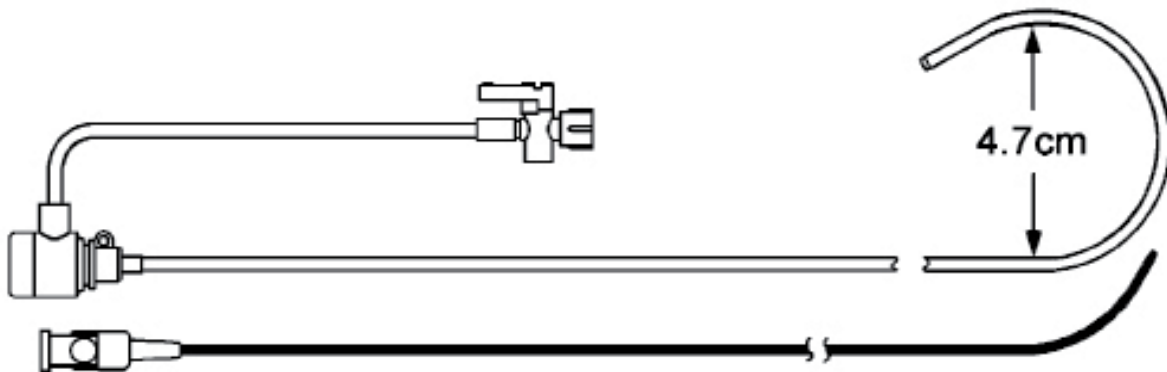
Product Highlights

- Close tolerance extrusion and proprietary tipping process facilitate tracking on a guidewire
- Convenient suture rings to secure sheath during catheter manipulation or during prolonged vascular access
- Fast-Cath™ valve preserves catheter handling characteristics while minimizing backbleeding and air aspiration
- Snap lock feature secures dilator in sheath during insertion
- Centimeter markings on the proximal portion of the dilator
- Accommodates 71 cm length BRK™ Transseptal Needles, BRK-1™ and XS series versions, see pages B.37 and B.38

Ordering Information

Introducer Sheath with Hemostasis Valve and Sideport, and Dilator (1 unit per box)

REORDER NUMBER	FRENCH SIZE	MAXIMUM GUIDEWIRE DIAMETER (IN)	CURVE TYPE	SHEATH USABLE LENGTH (CM)	DILATOR USABLE LENGTH (CM)
406800	6	.032	“Mullins” style	61	67
406802	7	.032	“Mullins” style	61	67
406553	8	.032	“Mullins” style	61	67
406804	8.5	.032	“Mullins” style	61	67



Fast-Cath™ Transseptal Guiding Introducers

60 and 62 cm Sheath
with Tip Marker
8 F – 10 F

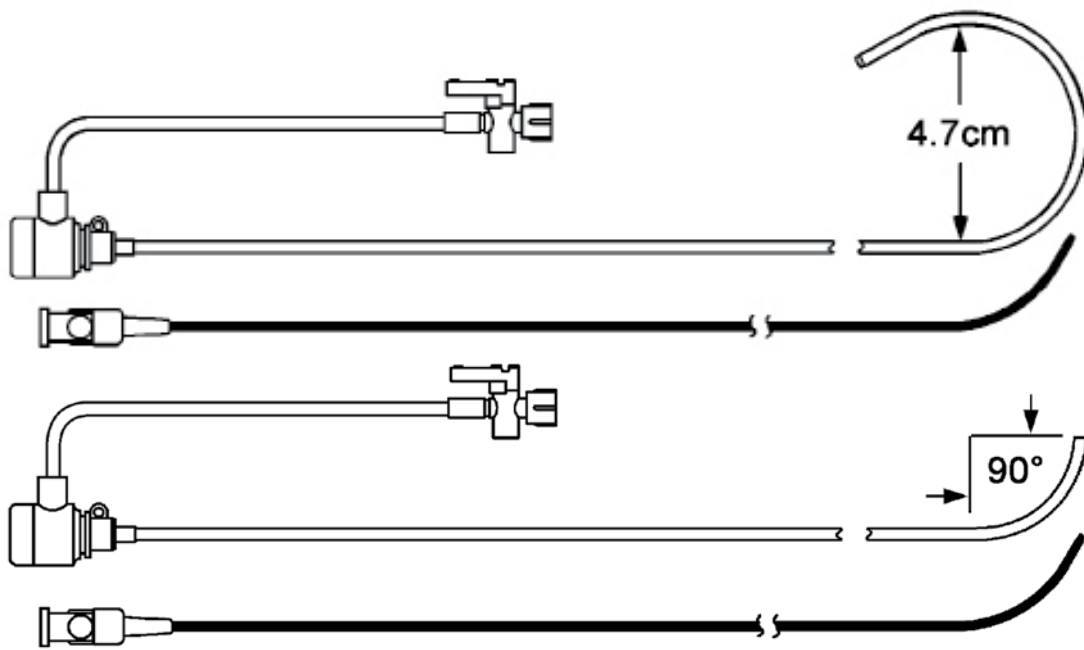
Product Highlights

- Close tolerance extrusion and proprietary tipping process facilitate tracking on a guidewire
- Convenient suture rings to secure sheath during catheter manipulation or during prolonged vascular access
- Fast-Cath™ valve preserves catheter handling characteristics while minimizing backbleeding and air aspiration
- Snap lock feature secures dilator in sheath during insertion
- Centimeter markings on the proximal portion of the dilator
- Radiopaque tip marker at the distal end of the sheath
- Accommodates 71 cm length BRK™ Transseptal Needles, BRK-1™ and XS series versions, see pages B.37 and B.38

Ordering Information

Introducer Sheath with Hemostasis Valve and Sideport, and Dilator (1 unit per box)

REORDER NUMBER	FRENCH SIZE	MAXIMUM GUIDEWIRE DIAMETER (IN)	CURVE TYPE	SHEATH USABLE LENGTH (CM)	DILATOR USABLE LENGTH (CM)
406805	8	.032	“Mullins” style	60	67
406901	10	.032	“Mullins” style	62	67
406902	8.5	.032	“Mullins” style	60	67
406586	8	.032	90 degree	60	67



Fast-Cath™ Transseptal Guiding Introducers

63 cm Sheath with Tip Marker
8 F – 10 F

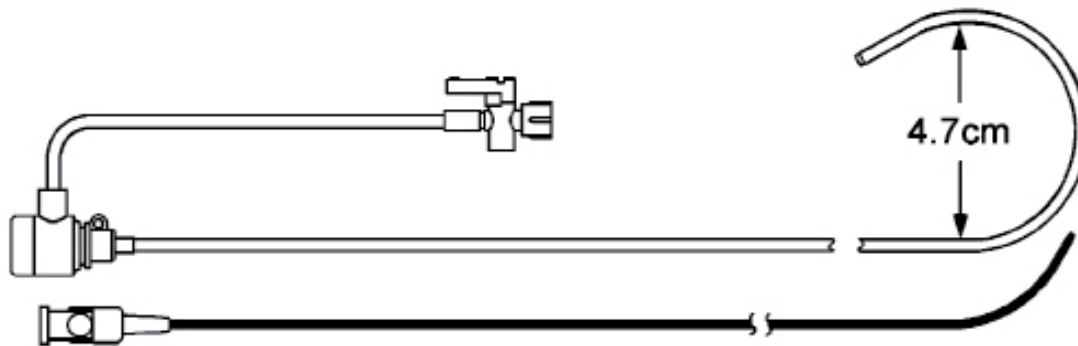
Product Highlights

- Close tolerance extrusion and proprietary tipping process facilitate tracking on a guidewire
- Convenient suture rings to secure sheath during catheter manipulation or during prolonged vascular access
- Fast-Cath™ valve preserves catheter handling characteristics while minimizing backbleeding and air aspiration
- Snap lock feature secures dilator in sheath during insertion
- Centimeter markings on the proximal portion of the dilator
- Radiopaque tip marker at the distal end of the sheath
- Sideholes prevent sheath cavitation
- Accommodates 71 cm length BRK™ Transseptal Needles, BRK-1™ and XS series versions, see pages B.37 and B.38

Ordering Information

Introducer Sheath with Hemostasis Valve and Sideport, Dilator and 180 cm Super Stiff Guidewire with 3 mm “J” tip
(1 unit per box)

REORDER NUMBER	FRENCH SIZE	MAXIMUM GUIDEWIRE DIAMETER (IN)	CURVE TYPE	SHEATH USABLE LENGTH (CM)	DILATOR USABLE LENGTH (CM)
407436	8	.032	“Mullins” style	63	67
407438	10	.032	“Mullins” style	63	67



SJM™ Hemostasis Valve Adaptor

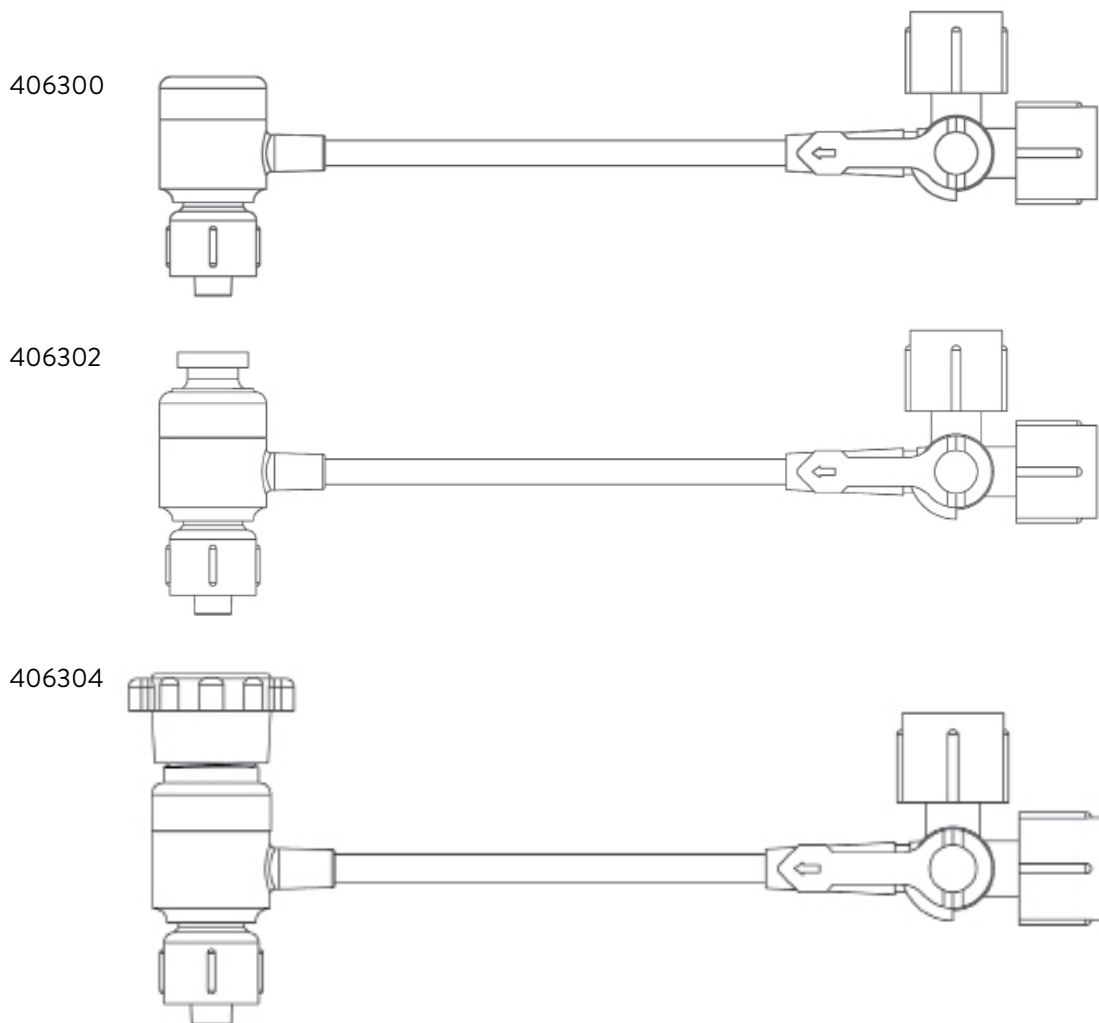
9 F or smaller

Product Highlights

- Preserves catheter handling characteristics while minimizing backbleeding and air aspiration
- Provides sideport with 3-way stopcock

Ordering Information

REORDER NUMBER	FRENCH SIZE	CONTENTS (5 UNITS PER BOX)
406300	9 or smaller	1 SJM™ Hemostasis Valve Adaptor
406302	9 or smaller	1 SJM™ Hemostasis Valve Adaptor with Luer Lock Fitting
406304	9 or smaller	1 SJM™ Hemostasis Valve Adaptor with Cath-Lock™ Locking Hub



BRK™ Transseptal Needles

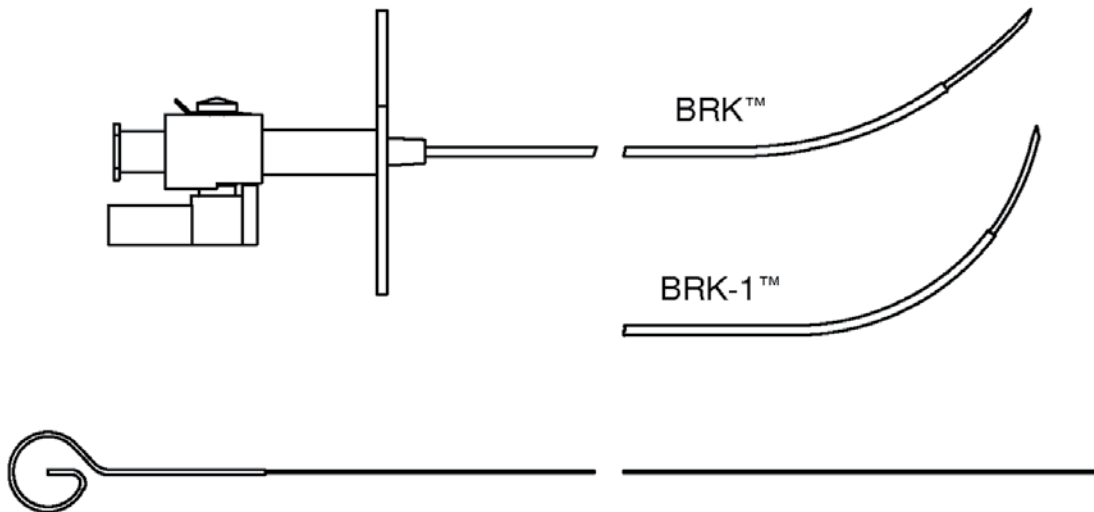
Product Highlights

- Available in adult sizes
- Bevel angle 50 degrees
- Pointer on the needle shield shows the direction of the needle curve

Ordering Information

Stainless Steel Transseptal Needle and Stylet (1 unit per box)

REORDER NUMBER	CURVE TYPE	SIZE	NEEDLE USABLE LENGTH (CM)
407200	BRK™	Adult, 18 ga.	71
407201	BRK-1™	Adult, 18 ga.	71
407205	BRK™	Adult, 18 ga.	89
G407215	BRK-1™	Adult, 18 ga.	89
407206	BRK™	Adult, 18 ga.	98
407207	BRK-1™	Adult, 18 ga.	98



BRK™ Transseptal Needles, XS Series

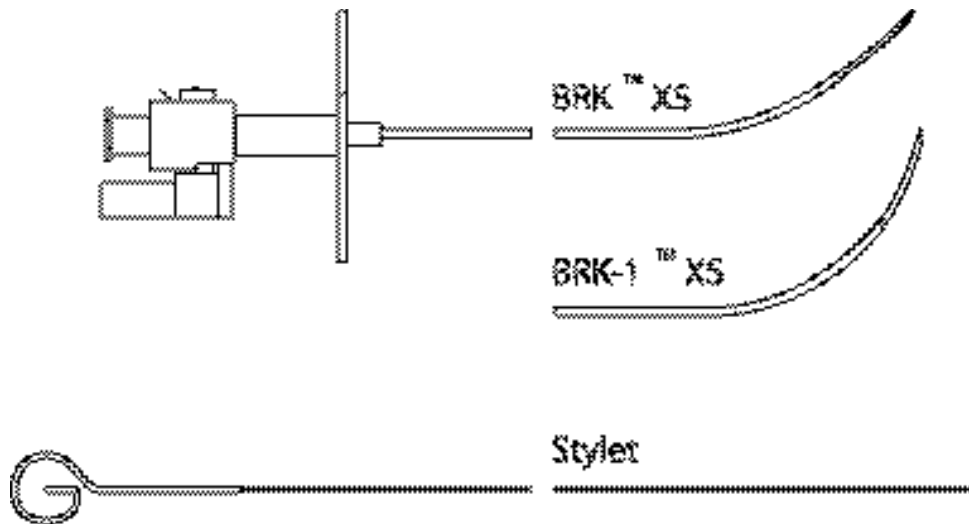
Product Highlights

- Bevel angle 30 degrees
- Steeper primary bevel angle and two back bevels that combine to form a distinct point at the tip of the needle
- Pointer on the needle shield shows the direction of the needle curve

Ordering Information

Stainless Steel Transseptal Needle and Stylet (1 unit per box)

REORDER NUMBER	CURVE TYPE	SIZE	NEEDLE USABLE LENGTH (CM)
G407208	BRK™ XS	Adult, 18 ga	71
G407209	BRK-1™ XS	Adult, 18 ga	71
G407210	BRK™ XS	Adult, 18 ga	89
G407216	BRK-1™ XS	Adult, 18 ga	89
G407211	BRK™ XS	Adult, 18 ga	98
G407212	BRK-1™ XS	Adult, 18 ga	98



DIAGNOSTIC

Fixed Diagnostic Catheters (Response™, Supreme™)

Curve Reference C.3
 4 F Catheters C.4-C.6
 5 F Catheters C.7-C.12
 6 F Catheters C.13-C.23
 7 F Catheters C.24

Steerable Diagnostic Catheters (Livewire™, Inquiry™)

Curve Reference C.25-C.30
 4 F Catheters C.31-C.32
 5 F Catheters C.33-C.41
 6 F Catheters C.42-C.49
 7 F Catheters C.50-C.61

Circular Mapping Catheters (Advisor™ FL, Advisor™ VL, Reflexion Spiral™, Inquiry™, Inquiry Optima™)

Fixed Radius Circular Mapping Catheters C.62-C.66
 Variable Radius Circular Mapping Catheters C.67-C.71

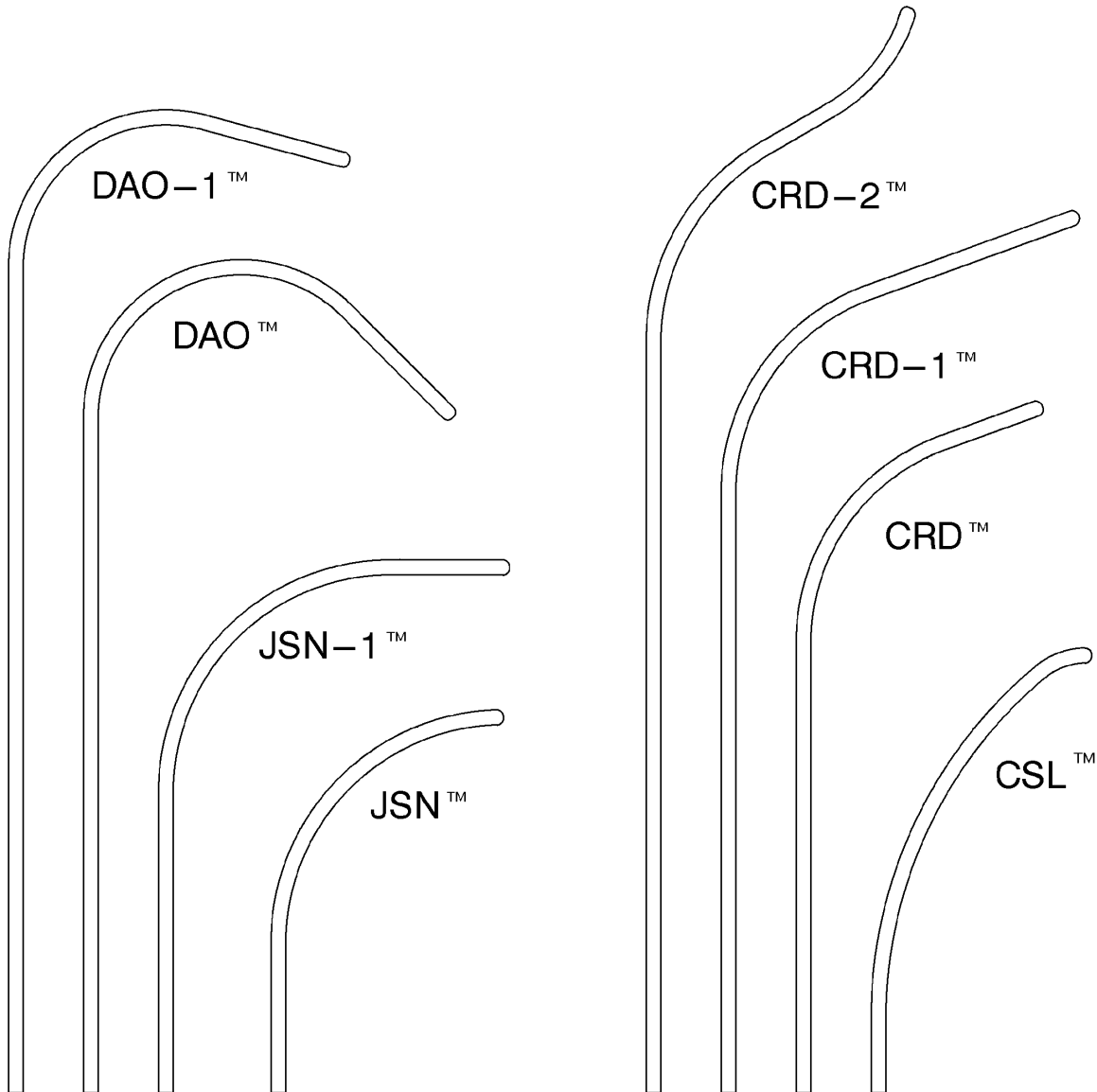
Connecting Cables and Adapters (Reflexion™, Supreme™, Inquiry™)

Sensor Enabled™ Diagnostic Connecting Cables C.72
 Inquiry™ Diagnostic Connecting Cables..... C.73
 Fixed and Steerable Diagnostic Connecting Cables C.74
 Supreme™ Diagnostic Connecting Cables C.75

Response™ and Supreme™ Electrophysiology Catheters

Curve Reference

- Electrode spacing is measured edge to edge and reported in millimeters (mm)



Supreme™ Electrophysiology Catheters

Quadripolar
4 F

Product Highlights

- Torque control and pushability
- Multiple curve options for ease of placement
- Convenient cable alleviates tedious connections
- 1 mm band electrodes

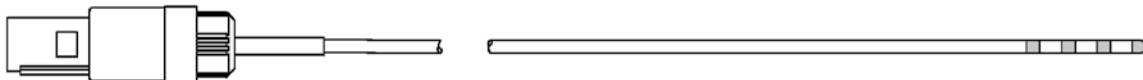
Ordering Information

4 F Quadripolar catheter (1 unit per box)

REORDER NUMBER	FRENCH SIZE	ELECTRODE SPACING (MM)	CURVE TYPE	USABLE LENGTH (CM)
401890	4	5-5-5	JSN™	120
401891	4	5-5-5	CRD™	120
401892	4	5-5-5	DAO™	120
401994	4	2-5-2	JSN™	120
401996	4	2-5-2	CRD™	120
402012	4	5-5-5	CRD-2™	120

Required Catheter Connecting Cables – Page C.74

REORDER NUMBER	COLOR	CONNECTS THESE CATHETERS	USABLE LENGTH (CM)
401980	Black	Bipolar and Quadripolar	150
401981	Blue	Bipolar and Quadripolar	150
401982	Grey	Bipolar and Quadripolar	150
401983	Red	Bipolar and Quadripolar	150



Supreme™ Electrophysiology Catheters

Hexapolar
4 F

Product Highlights

- Torque control and pushability
- Convenient cable alleviates tedious connections
- 1 mm band electrodes

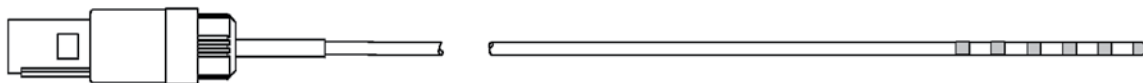
Ordering Information

4 F Hexapolar catheter (1 unit per box)

REORDER NUMBER	FRENCH SIZE	ELECTRODE SPACING (MM)	CURVE TYPE	USABLE LENGTH (CM)
401966	4	5-5-5	CRD-2™	120
401967	4	2-2-2	CRD-2™	120

Required Catheter Connecting Cables – Page C.74

REORDER NUMBER	COLOR	DESCRIPTION	LENGTH (CM)
401984	Black	Hexapolar	150



Supreme™ Electrophysiology Catheters

Decapolar
4 F

Product Highlights

- Torque control and pushability
- Convenient cable alleviates tedious connections
- Distal electrode 2 mm from catheter tip
- 1 mm band electrodes

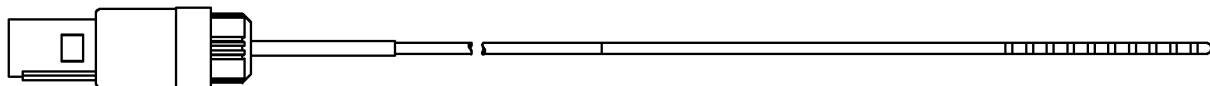
Ordering Information

4 F Decapolar catheter (1 unit per box)

REORDER NUMBER	FRENCH SIZE	ELECTRODE SPACING (MM)	DISTAL ELECTRODE FROM CATHETER TIP (MM)	CURVE TYPE	USABLE LENGTH (CM)
401893	4	2-8-2	2	CSL™	65
401979	4	2-5-2	2	CSL™	65

Required Catheter Connecting Cables – Page C.74

REORDER NUMBER	COLOR	CONNECTS THESE CATHETERS	USABLE LENGTH (CM)
401985	Black	Octapolar and Decapolar	150
401986	Black	Octapolar and Decapolar	210



U.S. Patent Numbers 5,423,772; 5,549,581 and Patent(s) Pending

Response™ Electrophysiology Catheters

Quadripolar
5 F

Product Highlights

- Torque control and pushability
- Multiple curve options for ease of placement
- Convenient cable alleviates tedious connections
- 1 mm band electrodes

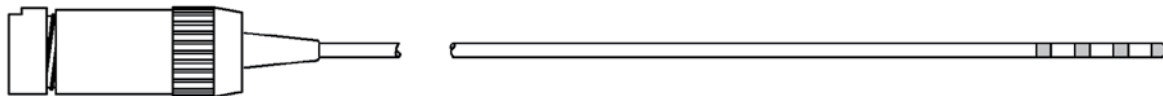
Ordering Information

5 F Quadripolar catheter (1 unit per box)

REORDER NUMBER	FRENCH SIZE	ELECTRODE SPACING (MM)	CURVE TYPE	USABLE LENGTH (CM)
401206	5	10	CRD™	120
401207	5	10	JSN™	120
401222	5	5	CRD™	120
401223	5	5	JSN™	120

Required Catheter Connecting Cables – Page C.73

REORDER NUMBER	COLOR	CONNECTS THESE CATHETERS	USABLE LENGTH (CM)
401970	Black	Bipolar and Quadripolar	150
401973	Blue	Bipolar and Quadripolar	150
401974	Grey	Bipolar and Quadripolar	150
401975	Red	Bipolar and Quadripolar	150



Supreme™ Electrophysiology Catheter

Bipolar with Connector Leads
5 F

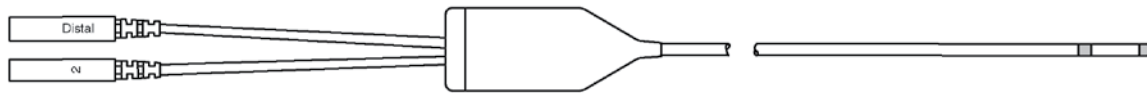
Product Highlights

- Torque control and pushability
- Fixed shrouded 2 mm pin connector leads with clearly labeled terminal pins

Ordering Information

Bipolar catheter with connector leads (1 unit per box)

REORDER NUMBER	FRENCH SIZE	ELECTRODE SPACING (MM)	CURVE TYPE	USABLE LENGTH (CM)
401957	5	10	CRD™	120



Supreme™ Electrophysiology Catheters

Quadripolar
5 F

Product Highlights

- Torque control and pushability
- Multiple curve options for ease of placement
- Convenient cable alleviates tedious connections
- 1 mm band electrodes

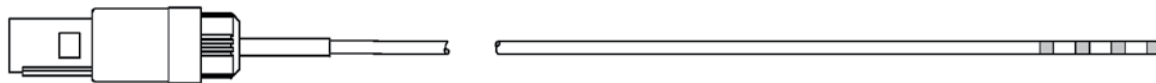
Ordering Information

5 F Quadripolar catheter (1 unit per box)

REORDER NUMBER	FRENCH SIZE	ELECTRODE SPACING (MM)	CURVE TYPE	USABLE LENGTH (CM)
401433	5	10	CRD™	120
401859	5	10	CRD-2™	120
401435	5	10	JSN™	120
401441	5	5	CRD™	120
401860	5	5	CRD-2™	120
401443	5	5	JSN™	120
401444	5	5	DAO™	120
401448	5	2-5-2	CRD™	120
401450	5	2-5-2	JSN™	120
401468	5	2-5-2	DAO-1™	120

Required Catheter Connecting Cables – Page C.74

REORDER NUMBER	COLOR	CONNECTS THESE CATHETERS	USABLE LENGTH (CM)
401980	Black	Bipolar and Quadripolar	150
401981	Blue	Bipolar and Quadripolar	150
401982	Grey	Bipolar and Quadripolar	150
401983	Red	Bipolar and Quadripolar	150



Supreme™ Electrophysiology Catheters

Hexapolar
5 F

Product Highlights

- Torque control and pushability
- Convenient cable alleviates tedious connections
- 1 mm band electrodes

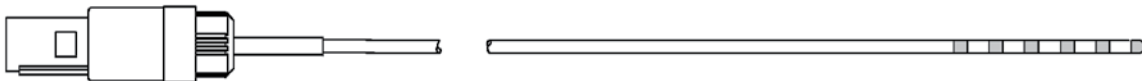
Ordering Information

Hexapolar catheter (1 unit per box)

REORDER NUMBER	FRENCH SIZE	ELECTRODE SPACING (MM)	CURVE TYPE	USABLE LENGTH (CM)
402008	5	2-5-2	CRD-2™	120
402009	5	5-5-5	CRD-2™	120

Required Catheter Connecting Cables – Page C.74

REORDER NUMBER	COLOR	DESCRIPTION	LENGTH (CM)
401984	Black	Hexapolar	150



Supreme™ Electrophysiology Catheter

Hexapolar (Unipolar Recording)
5 F

Product Highlights

- Electrode spacing for recording unipolar signals
- Torque control and pushability
- Convenient cable alleviates tedious connections
- 1 mm band electrodes

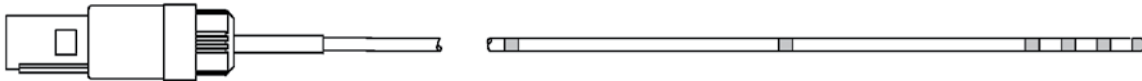
Ordering Information

Hexapolar catheter (1 unit per box)

REORDER NUMBER	FRENCH SIZE	ELECTRODE SPACING (MM)	CURVE TYPE	USABLE LENGTH (CM)
401878	5	5-5-5-175-175	JSN™	120

Required Catheter Connecting Cables – Page C.74

REORDER NUMBER	COLOR	DESCRIPTION	LENGTH (CM)
401984	Black	Hexapolar	150



Supreme™ Electrophysiology Catheters

Decapolar CSL™ Catheter
5 F

Product Highlights

- Torque control and pushability
- Variable electrode spacing for optimal pacing and recording
- CSL™ catheter curve for ease of placement in the coronary sinus
- Convenient cable alleviates tedious connections
- 1 mm band electrodes

Ordering Information

5 F Decapolar CSL™ catheter (1 unit per box)

REORDER NUMBER	FRENCH SIZE	ELECTRODE SPACING (MM)	TIP ELECTRODE (MM)	CURVE TYPE	USABLE LENGTH (CM)
401863	5	2-8-2	2	CSL™	120
401864	5	2-8-2	2	CSL™	65
401865	5	5-5-5	2	CSL™	120

Required Catheter Connecting Cables – Page C.74

REORDER NUMBER	COLOR	CONNECTS THESE CATHETERS	USABLE LENGTH (CM)
401985	Black	Octapolar and Decapolar	150
401986	Black	Octapolar and Decapolar	210



Response™ Electrophysiology Catheters

Bipolar
6 F

Product Highlights

- Torque control and pushability
- Multiple curve options for ease of placement
- Convenient cable alleviates tedious connections
- 1 mm band electrodes

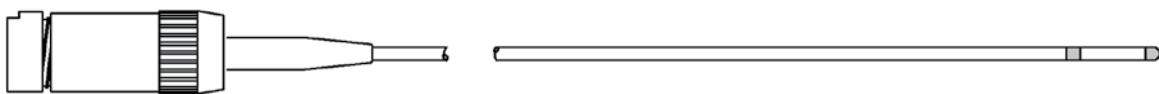
Ordering Information

6 F Bipolar catheter (1 unit per box)

REORDER NUMBER	FRENCH SIZE	ELECTRODE SPACING (MM)	CURVE TYPE	USABLE LENGTH (CM)
401317	6	10	CRD™	120

Required Catheter Connecting Cables – Page C.73

REORDER NUMBER	COLOR	CONNECTS THESE CATHETERS	USABLE LENGTH (CM)
401970	Black	Bipolar and Quadripolar	150
401973	Blue	Bipolar and Quadripolar	150
401974	Grey	Bipolar and Quadripolar	150
401975	Red	Bipolar and Quadripolar	150



Response™ Electrophysiology Catheters

Quadripolar
6 F

Product Highlights

- Torque control and pushability
- Multiple curve options for ease of placement
- Convenient cable alleviates tedious connections
- 1 mm band electrodes

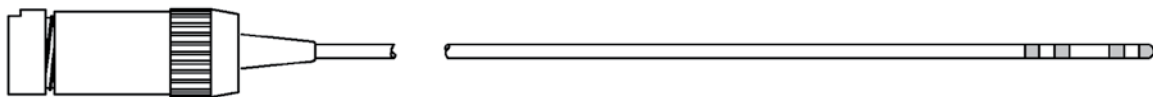
Ordering Information

6 F Quadripolar catheter (1 unit per box)

REORDER NUMBER	FRENCH SIZE	ELECTRODE SPACING (MM)	CURVE TYPE	USABLE LENGTH (CM)
401210	6	10	CRD™	120
401211	6	10	JSN™	120
401212	6	10	DAO™	120
401226	6	5	CRD™	120
401227	6	5	JSN™	120
401357	6	5	JSN-1™	120
401228	6	5	DAO™	120
401260	6	2-5-2	CRD™	120
401261	6	2-5-2	JSN™	120

Required Catheter Connecting Cables – Page C.73

REORDER NUMBER	COLOR	CONNECTS THESE CATHETERS	USABLE LENGTH (CM)
401970	Black	Bipolar and Quadripolar	150
401973	Blue	Bipolar and Quadripolar	150
401974	Grey	Bipolar and Quadripolar	150
401975	Red	Bipolar and Quadripolar	150



Response™ Electrophysiology Catheters

Hexapolar
6 F

Product Highlights

- Torque control and pushability
- Multiple curve options for ease of placement
- Convenient cable alleviates tedious connections
- 1 mm band electrodes

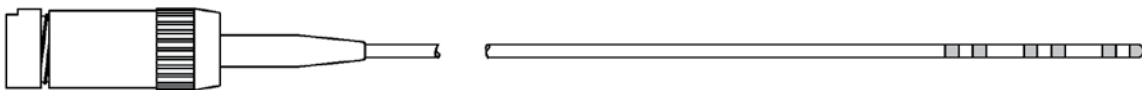
Ordering Information

Hexapolar catheter (1 unit per box)

REORDER NUMBER	FRENCH SIZE	ELECTRODE SPACING (MM)	CURVE TYPE	USABLE LENGTH (CM)
401271	6	2-5-2	JSN™	120
401425	6	5-5-5-150-5	CRD™	120

Required Catheter Connecting Cables – Page C.73

REORDER NUMBER	COLOR	CONNECTS THESE CATHETERS	USABLE LENGTH (CM)
401971	Black	Hexapolar	150
401972	Black	Hexapolar, Octapolar and Decapolar	150
401977	Red	Hexapolar, Octapolar and Decapolar	150
401976	Black	Hexapolar, Octapolar and Decapolar	210



Response™ Electrophysiology Catheters

Decapolar
6 F

Product Highlights

- Torque control and pushability
- Multiple curve options for ease of placement
- Convenient cable alleviates tedious connections
- 1 mm band electrodes

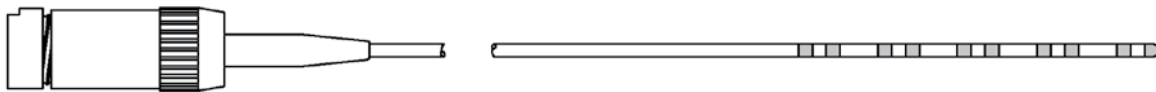
Ordering Information

6 F Decapolar catheter (1 unit per box)

REORDER NUMBER	FRENCH SIZE	ELECTRODE SPACING (MM)	CURVE TYPE	USABLE LENGTH (CM)
401305	6	2-5-2	CRD™	120
401306	6	2-5-2	JSN™	120
401309	6	2-5-2	JSN™	65
401310	6	2-5-2	DAO™	65
401311	6	2-2-2	CRD™	120
401312	6	2-2-2	JSN™	120
401415	6	2-10-2	DAO™-1	120
401150	6	2-10-2	CRD™	120

Required Catheter Connecting Cables – Page C.73

REORDER NUMBER	COLOR	CONNECTS THESE CATHETERS	USABLE LENGTH (CM)
401972	Black	Hexapolar, Octapolar and Decapolar	150
401977	Red	Hexapolar, Octapolar and Decapolar	150
401976	Black	Hexapolar, Octapolar and Decapolar	210



Response™ Electrophysiology Catheters

Decapolar CSL™ Catheter
6 F

Product Highlights

- Torque control and pushability
- Curve for ease of placement in the coronary sinus
- 1 mm band electrodes

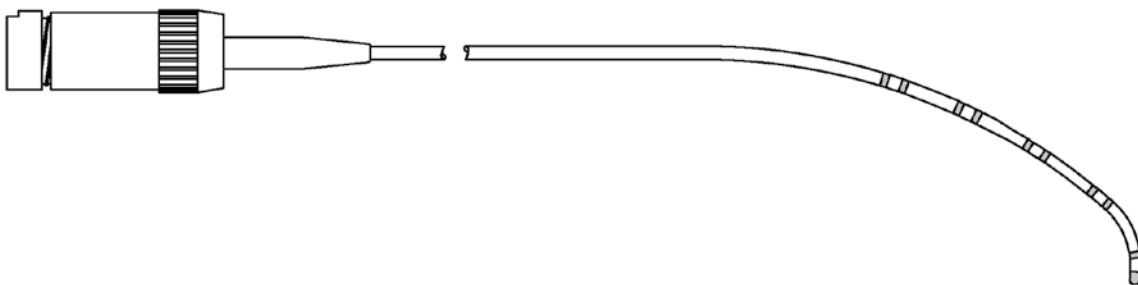
Ordering Information

6 F Decapolar CSL™ catheter (1 unit per box)

REORDER NUMBER	FRENCH SIZE	ELECTRODE SPACING (MM)	TIP ELECTRODE (MM)	CURVE TYPE	USABLE LENGTH (CM)
401381	6	2-8-2	2	CSL™	120
401353	6	2-8-2	2	CSL™	65
401392	6	2-2-2	2	CSL™	120
401399	6	5-5-5	2	CSL™	120
401400	6	5-5-5	2	CSL™	65

Required Catheter Connecting Cables – Page C.73

REORDER NUMBER	COLOR	CONNECTS THESE CATHETERS	USABLE LENGTH (CM)
401972	Black	Hexapolar, Octapolar and Decapolar	150
401977	Red	Hexapolar, Octapolar and Decapolar	150
401976	Black	Hexapolar, Octapolar and Decapolar	210



Supreme™ Electrophysiology Catheters

Bipolar with Connector Leads
6 F

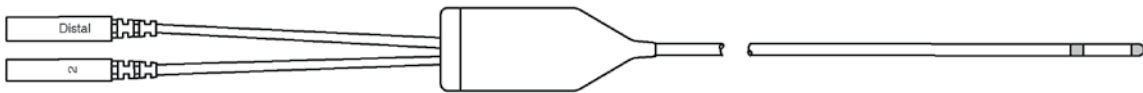
Product Highlights

- Torque control and pushability
- Fixed shrouded 2 mm pin connector leads with clearly labeled terminal pins

Ordering Information

Bipolar catheter with connector leads (1 unit per box)

REORDER NUMBER	FRENCH SIZE	ELECTRODE SPACING (MM)	CURVE TYPE	USABLE LENGTH (CM)
401956	6	10	CRD™	120



Supreme™ Electrophysiology Catheters

Quadripolar
6 F

Product Highlights

- Torque control and pushability
- Multiple curve options for ease of placement
- Convenient cable alleviates tedious connections
- 1 mm band electrodes

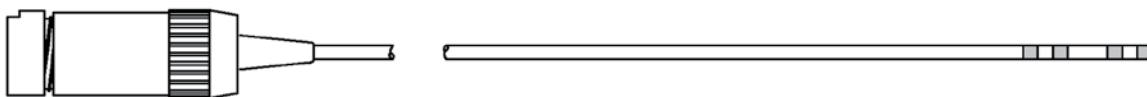
Ordering Information

6 F Quadripolar catheter (1 unit per box)

REORDER NUMBER	FRENCH SIZE	ELECTRODE SPACING (MM)	CURVE TYPE	USABLE LENGTH (CM)
401434	6	10	CRD™	120
401436	6	10	JSN™	120
401438	6	10	DAO™	120
401442	6	5	CRD™	120
401474	6	5	CRD-1™	120
402004	6	5	CRD-2™	120
401430	6	5	JSN™	120
401475	6	5	JSN-1™	120
401445	6	5	DAO™	120
401470	6	2	CRD™	120
401449	6	2-5-2	CRD™	120
401451	6	2-5-2	JSN™	120
401453	6	2-5-2	DAO™	120

Required Catheter Connecting Cables – Page C.74

REORDER NUMBER	COLOR	CONNECTS THESE CATHETERS	USABLE LENGTH (CM)
401980	Black	Bipolar and Quadripolar	150
401981	Blue	Bipolar and Quadripolar	150
401982	Grey	Bipolar and Quadripolar	150
401983	Red	Bipolar and Quadripolar	150



Supreme™ Electrophysiology Catheters

Quadripolar with Connector Leads
6 F

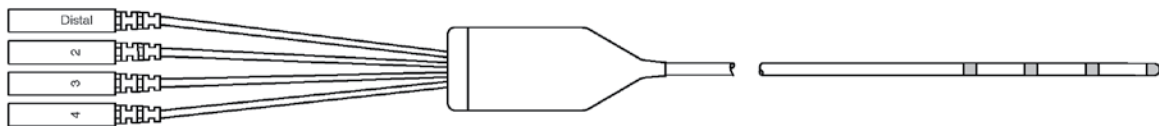
Product Highlights

- Torque control and pushability
- Multiple curve options for ease of placement
- Fixed shrouded 2 mm pin connector leads with clearly labeled terminal pins
- 1 mm band electrodes

Ordering Information

Quadripolar catheter (1 unit per box)

REORDER NUMBER	FRENCH SIZE	ELECTRODE SPACING (MM)	CURVE TYPE	USABLE LENGTH (CM)
401952	6	10	CRD™	120



Supreme™ Electrophysiology Catheters

Hexapolar
6 F

Product Highlights

- Torque control and pushability
- Convenient cable alleviates tedious connections
- 1 mm band electrodes

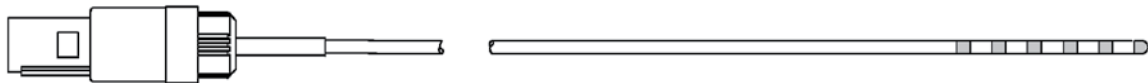
Ordering Information

Hexapolar catheter (1 unit per box)

REORDER NUMBER	FRENCH SIZE	ELECTRODE SPACING (MM)	CURVE TYPE	USABLE LENGTH (CM)
402010	6	2-5-2	CRD-2™	120
402011	6	5-5-5	CRD-2™	120

Required Catheter Connecting Cables – Page C.74

REORDER NUMBER	COLOR	CONNECTS THESE CATHETERS	USABLE LENGTH (CM)
401984	Black	Hexapolar	150



Supreme™ Electrophysiology Catheters

Hexapolar (Unipolar Recording)
6 F

Product Highlights

- Electrode spacing for recording unipolar signals
- Torque control and pushability
- Convenient cable alleviates tedious connections
- 1 mm band electrodes

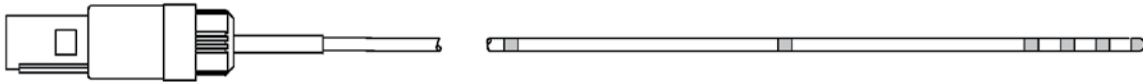
Ordering Information

Hexapolar catheter (1 unit per box)

REORDER NUMBER	FRENCH SIZE	ELECTRODE SPACING (MM)	CURVE TYPE	USABLE LENGTH (CM)
401876	6	5-5-5-175-175	CRD-1™	120
401877	6	5-5-5-175-175	JSN™	120

Required Catheter Connecting Cables – Page C.74

REORDER NUMBER	COLOR	CONNECTS THESE CATHETERS	USABLE LENGTH (CM)
401984	Black	Hexapolar	150



Supreme™ Electrophysiology Catheters

Duo-Decapolar Catheter
6 F

Product Highlights

- Torque control and pushability
- Convenient cable alleviates tedious connections
- 1 mm band electrodes

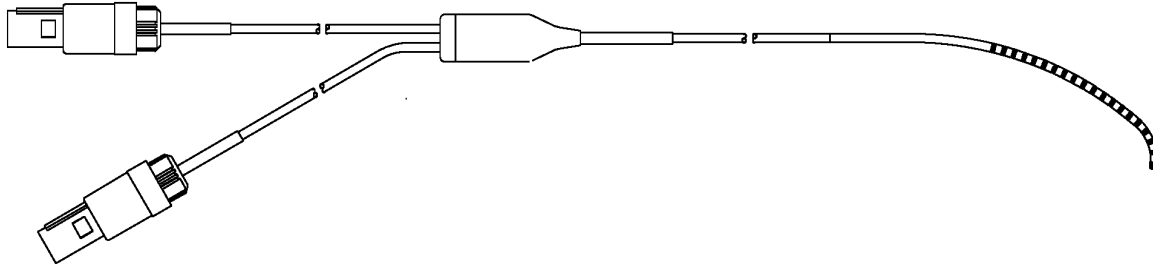
Ordering Information

6 F Duo-Decapolar catheter (1 unit per box) Note: Requires two catheter extension cables

REORDER NUMBER	FRENCH SIZE	ELECTRODE SPACING (MM)	CURVE TYPE	USABLE LENGTH (CM)
401978	6	2-2-2	CSL™	65
402020	6	2-3-2-5-2(60)2-10-2	CRD™	120
402033	6	2-8-2(50)2-5-2	CSL™	120

Required Catheter Connecting Cables – Page C.74

REORDER NUMBER	COLOR	CONNECTS THESE CATHETERS	USABLE LENGTH (CM)
401985	Black	Octapolar and Decapolar	150
401986	Black	Octapolar and Decapolar	210



Response™ Electrophysiology Catheters

Decapolar with Lumen
7 F

Product Highlights

- Lumen with distal end hole for infusion or up to an .032" guidewire
- Torque control and pushability
- 1 mm band electrodes

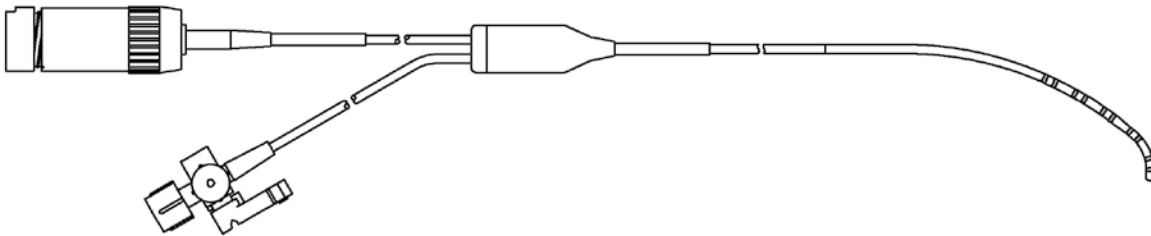
Ordering Information

7 F Decapolar catheter with Lumen (1 unit per box)

REORDER NUMBER	FRENCH SIZE	ELECTRODE SPACING (MM)	CURVE TYPE	USABLE LENGTH (CM)
401132	7	2-8-2	CSL™	120
401130	7	2-8-2	CSL™	65
401133	7	5-5-5	CSL™	120
401137	7	5-5-5	CSL™	65
401134	7	2-2-2	CSL™	120

Required Catheter Connecting Cables – Page C. 73

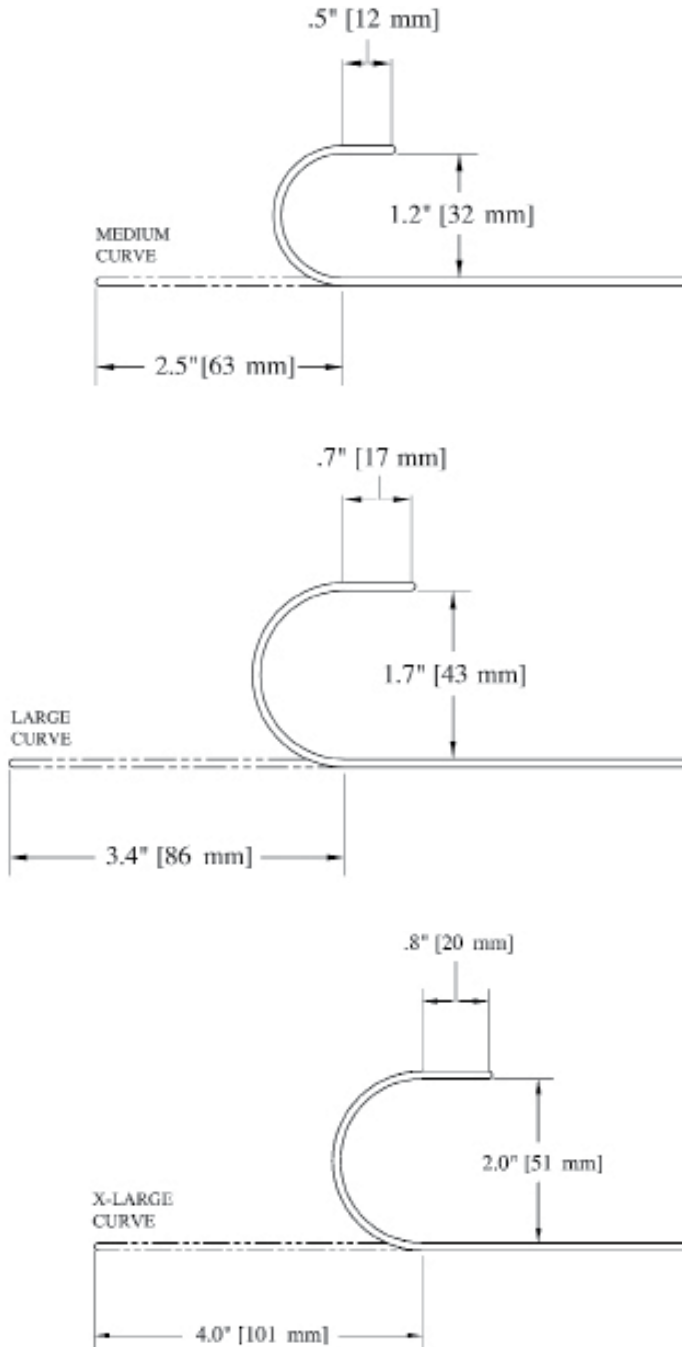
REORDER NUMBER	COLOR	CONNECTS THESE CATHETERS	USABLE LENGTH (CM)
401972	Black	Hexapolar, Octapolar and Decapolar	150
401977	Red	Hexapolar, Octapolar and Decapolar	150
401976	Black	Hexapolar, Octapolar and Decapolar	210



Inquiry™ Catheter

Curve Reference

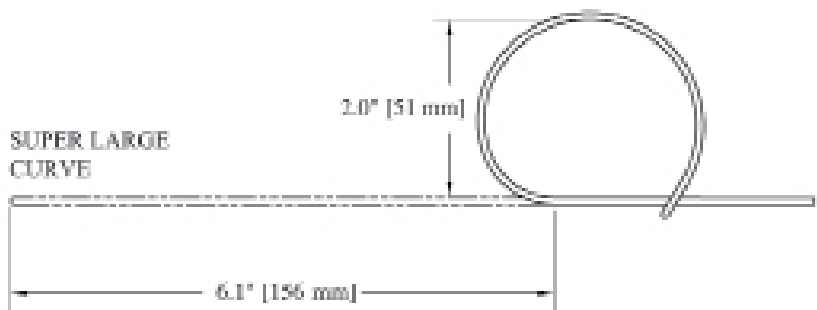
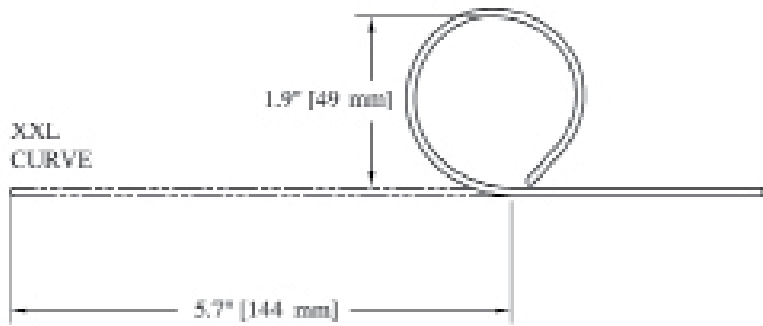
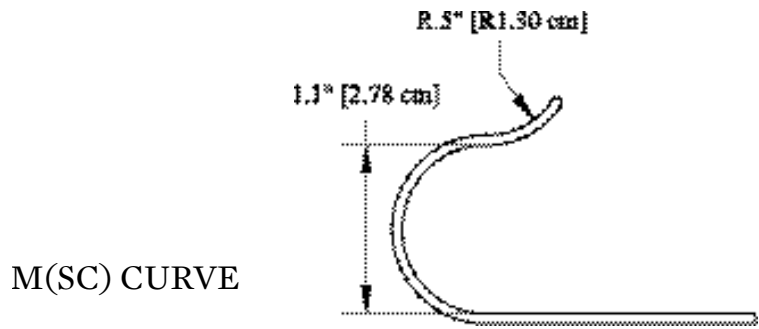
- Electrode spacing is measured edge to edge and reported in millimeters (mm)
- Standard catheter length is 110 cm



Inquiry™ Catheter

Curve Reference

- Electrode spacing is measured edge to edge and reported in millimeters (mm)
- Standard catheter length is 110 cm

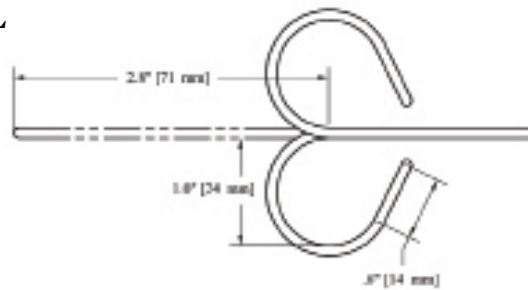


Inquiry™ Catheter

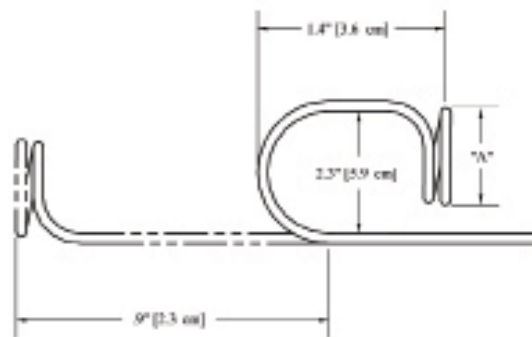
Curve Reference

- Electrode spacing is measured edge to edge and reported in millimeters (mm)
- Standard catheter length is 110 cm

MEDIUM CURVE
BI-DIRECTIONAL
SYMMETRICAL



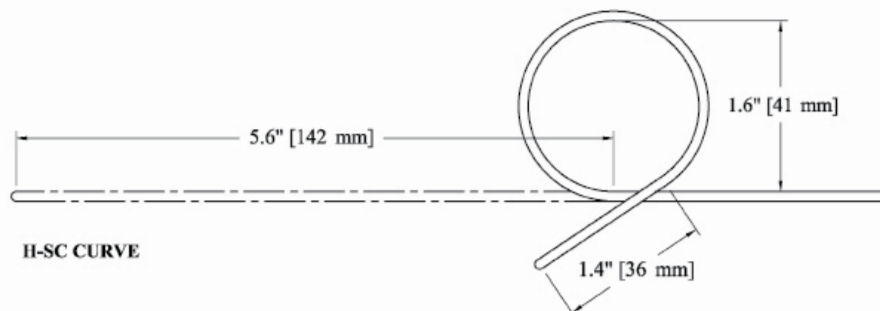
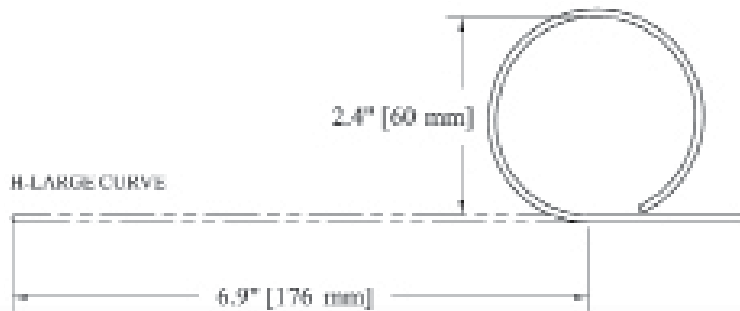
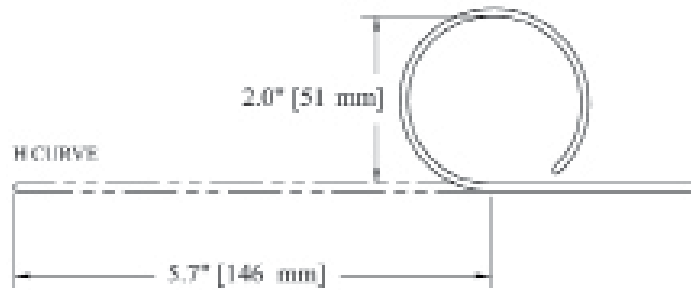
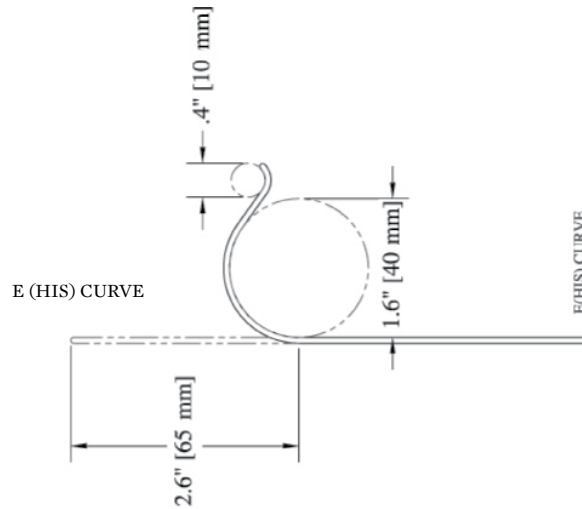
S/M



Inquiry™ Catheter

Curve Reference

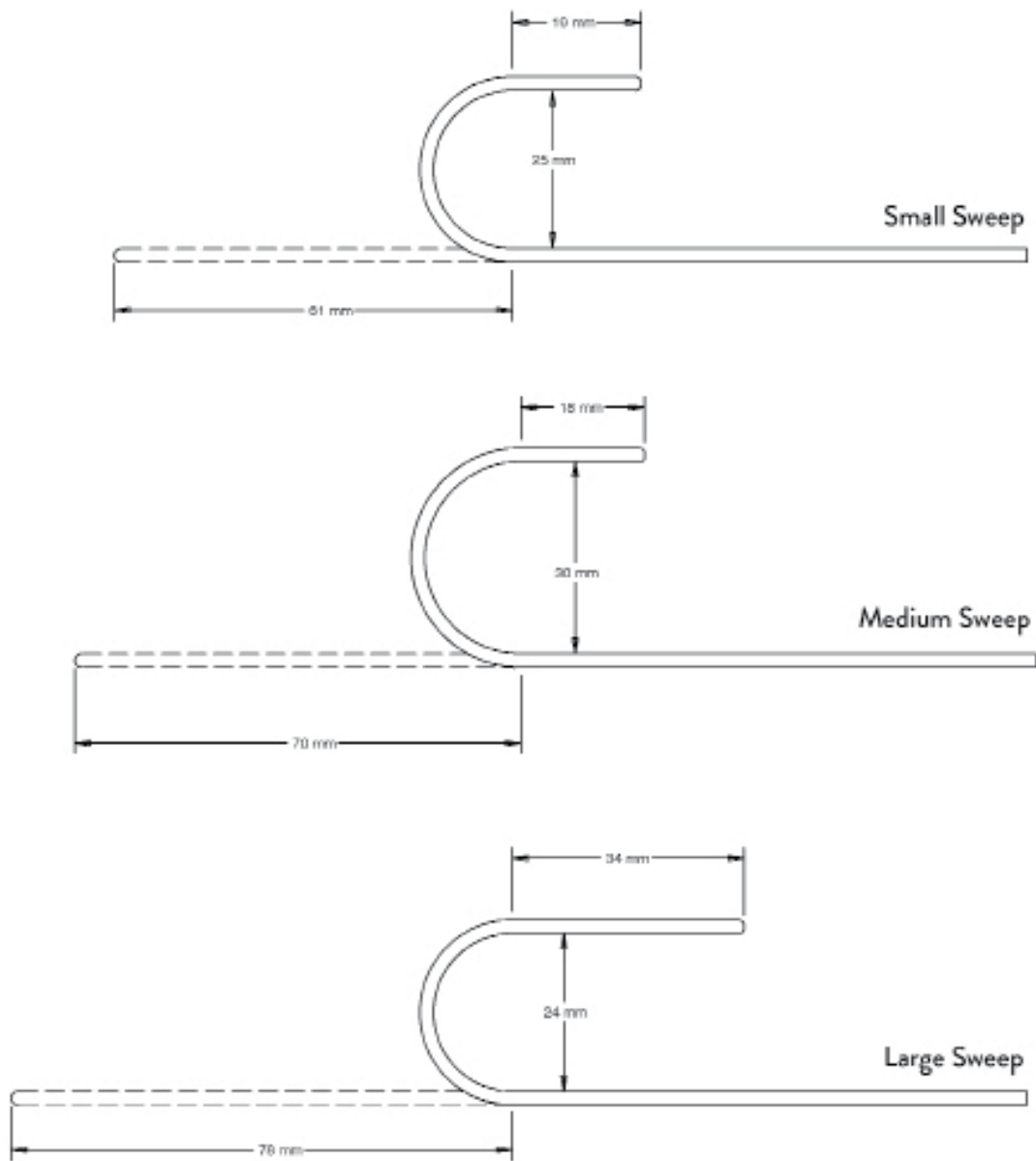
- Electrode spacing is measured edge to edge and reported in millimeters (mm)
- Standard catheter length is 110 cm



Livewire™ Catheter and Reflexion™ Catheter

Curve Reference

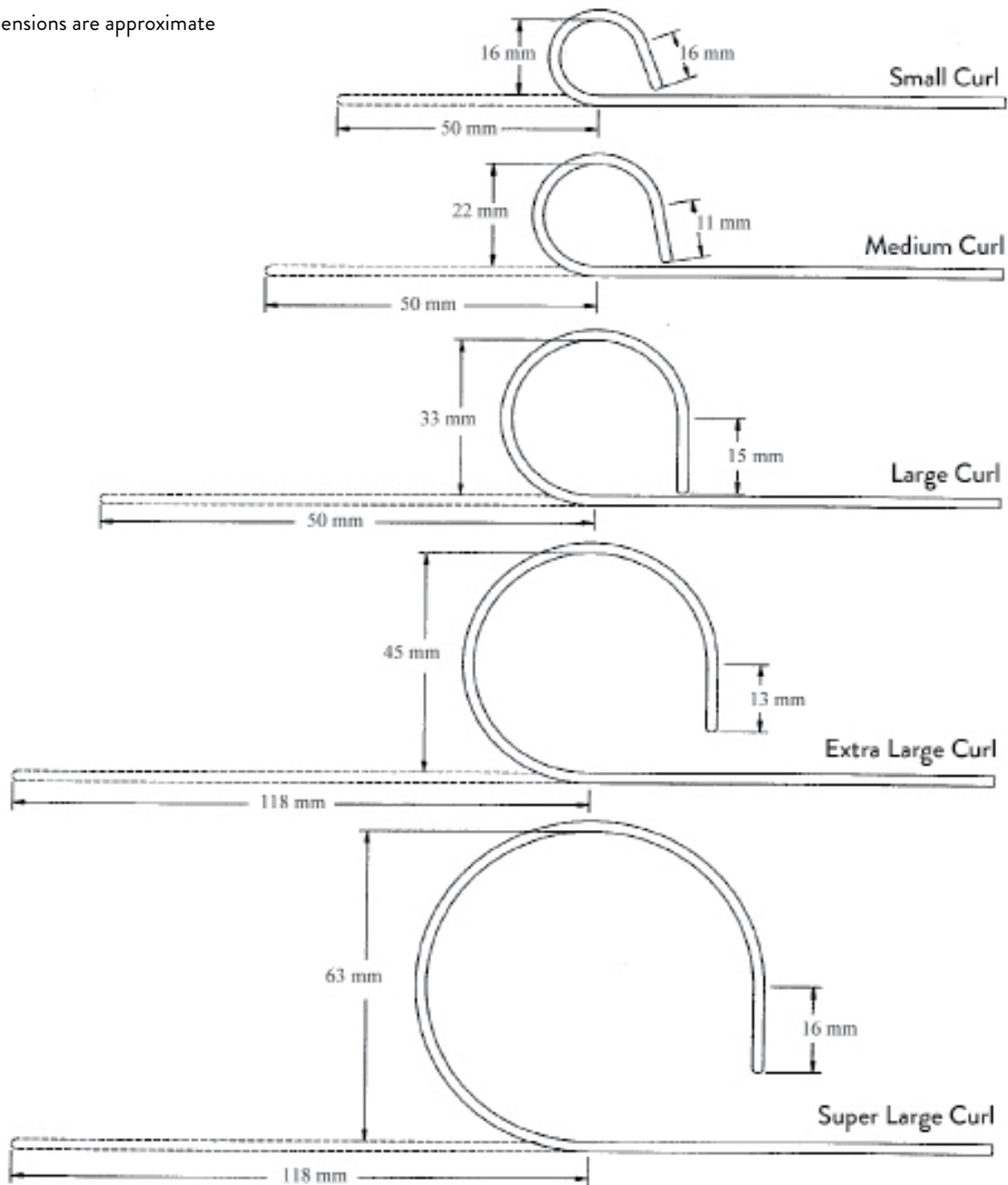
- Electrode spacing is measured edge to edge and reported in millimeters (mm)
- All electrodes are 1 mm wide unless otherwise indicated
- All dimensions are approximate



Livewire™ Catheter and Reflexion™ Catheter

Curve Reference

- Electrode spacing is measured edge to edge and reported in millimeters (mm)
- All electrodes are 1 mm wide unless otherwise indicated
- All dimensions are approximate



Inquiry™ Electrophysiology Catheters

Quadripolar
4 F

Product Highlights

- Options for anatomic variabilities
- Multiple curve configurations for ease of placement
- Push/pull handle for steering control
- 1 mm band electrodes

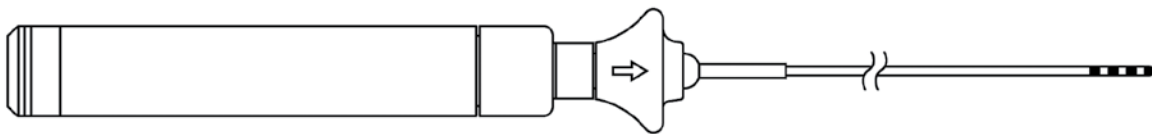
Ordering Information

4 F Quadripolar steerable diagnostic catheter (1 unit per box)

REORDER NUMBER	DESCRIPTION	TIP ELECTRODE (MM)	ELECTRODE SPACING (MM)	CURVE TYPE	USABLE LENGTH (CM)
IBI-81540	1104-4-25-M	1	2-5-2	Medium	110
IBI-81542	1104-4-5-M	1	5	Medium	110
IBI-81543	1104-4-25-L	1	2-5-2	Large	110

Required Catheter Connecting Cables – Page C.72

REORDER NUMBER	MODEL NUMBER	DESCRIPTION	LENGTH (M)
IBI-85953	1904-SA	4-Pin Diagnostic Connecting Cable	1.5



Inquiry™ Electrophysiology Catheters

Decapolar
4 F

Product Highlights

- Variable electrode spacing for pacing and recording
- Multiple curve configurations for ease of placement
- Push/pull handle for steering control
- 1 mm band electrodes

Ordering Information

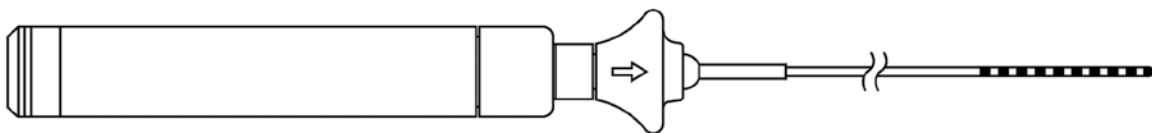
4 F Decapolar steerable diagnostic catheter (1 unit per box)

REORDER NUMBER	FRENCH SIZE	ELECTRODE SPACING (MM)	CURVE TYPE	USABLE LENGTH (CM)
IBI-81530	1110-4-2-M	2	Medium	110
IBI-81531	1110-4-25-M	2-5-2	Medium	110
IBI-81532	1110-4-25-L	2-5-2	Large	110
IBI-81534	1110-4-5-L	5	Large	110
IBI-81537	1110-4-25-M(SC)(60)	2-5-2	M(SC)	60

Note: (60) indicates catheter length in cm

Required Catheter Connecting Cables – Page C.72

REORDER NUMBER	MODEL NUMBER	DESCRIPTION	LENGTH (M)
IBI-85954	1910-SA	10-Pin Diagnostic Connecting Cable	1.5
IBI-85930	1910-S	10-Pin Diagnostic Connecting Cable	1.5



Livewire™ Electrophysiology Catheters

Quadripolar
5 F

Product Highlights

- Ergonomic handling
- Rotary dial designed for fine tip movements
- Color-coded cables for convenience
- 1 mm band electrodes

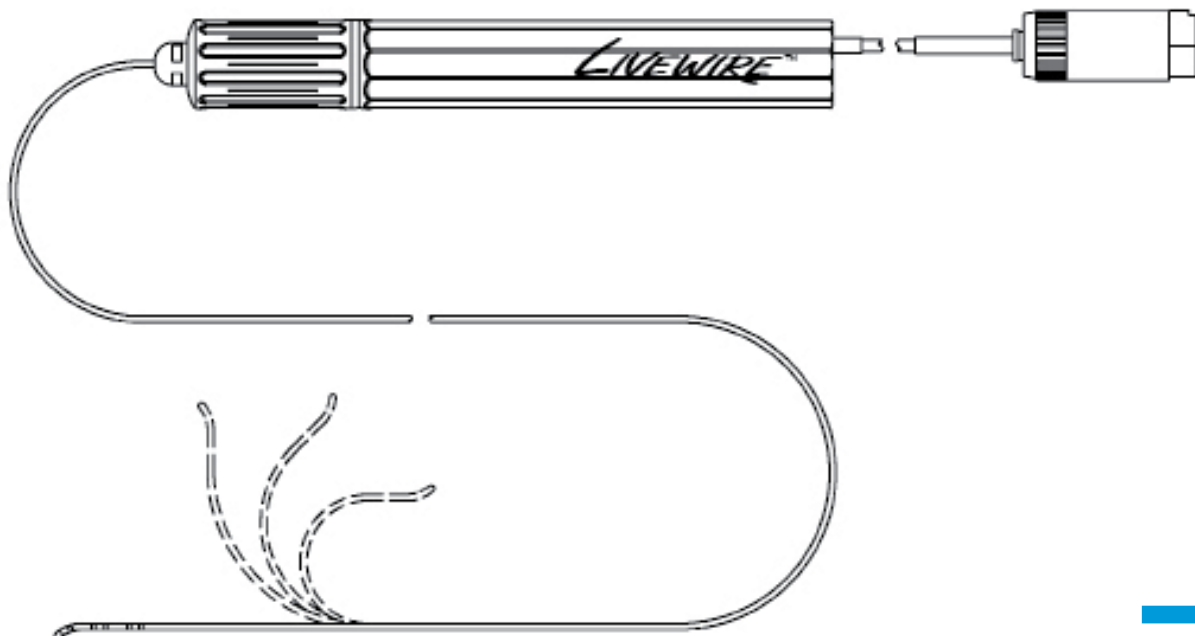
Ordering Information

Quadripolar catheter (1 unit per box)

REORDER NUMBER	FRENCH SIZE	ELECTRODE SPACING (MM)	TIP ELECTRODE (MM)	DISTAL REACH	USABLE LENGTH (CM)
401648	5	5-5-5	2	Lrg Curl	115
401780	5	5-5-5	2	Med Sweep	115

Required Catheter Connecting Cables – Page C.73

REORDER NUMBER	COLOR	CONNECTS THESE CATHETERS	USABLE LENGTH (CM)
401970	Black	Bipolar and Quadripolar	150
401973	Blue	Bipolar and Quadripolar	150
401974	Gray	Bipolar and Quadripolar	150
401975	Red	Bipolar and Quadripolar	150



Livewire™ Electrophysiology Catheters

Pentapolar
5 F

Product Highlights

- 5 F models employ the CRD-2™ curve for placement at HIS bundle
- Ergonomic handling
- Rotary dial designed for fine tip movements
- Color-coded cables for convenience
- 1 mm band electrodes

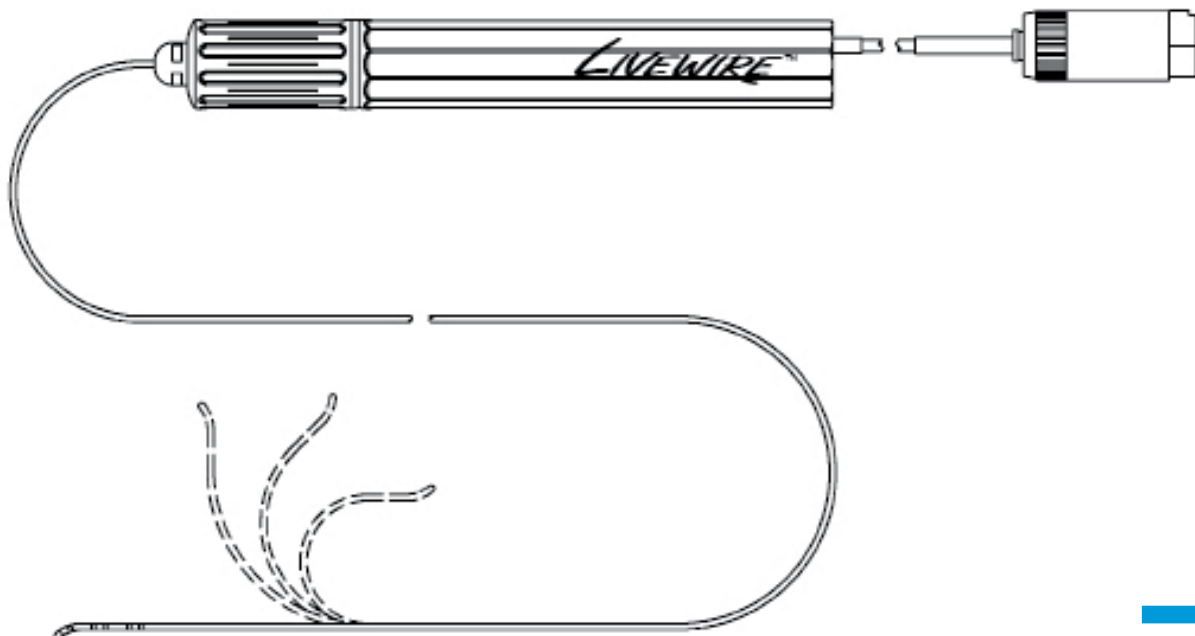
Ordering Information

Pentapolar catheter (1 unit per box)

REORDER NUMBER	FRENCH SIZE	ELECTRODE SPACING (MM)	TIP ELECTRODE (MM)	DISTAL REACH	USABLE LENGTH (CM)
402022	5	5-5-5	2	Lrg Curl CRD-2™	115

Required Catheter Connecting Cables – Page C.73

REORDER NUMBER	COLOR	CONNECTS THESE CATHETERS	USABLE LENGTH (CM)
401971	Black	Hexapolar	150
401972	Black	Hexapolar, Octapolar and Decapolar	150
401977	Red	Hexapolar, Octapolar and Decapolar	150
401976	Black	Hexapolar, Octapolar and Decapolar	210



Livewire™ Electrophysiology Catheters

Hexapolar
5 F

Product Highlights

- 5 F models employ the CRD-2™ curve for placement at HIS bundle
- Ergonomic handling
- Rotary dial designed for fine tip movements
- Color-coded cables for convenience
- 1 mm band electrodes

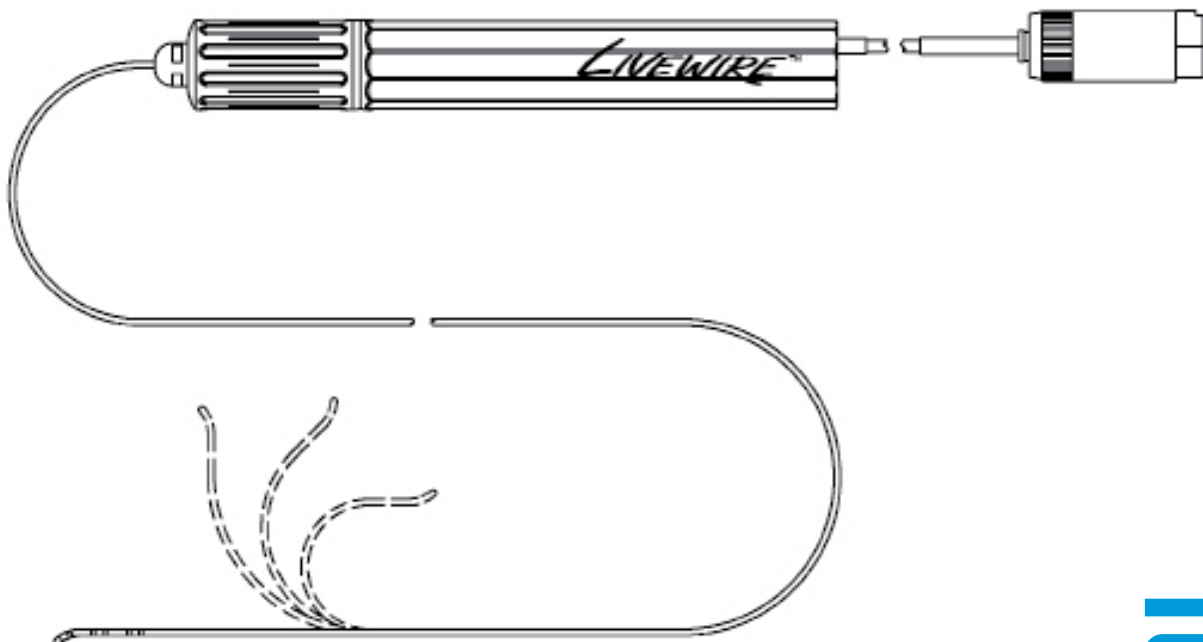
Ordering Information

Hexapolar catheter (1 unit per box)

REORDER NUMBER	FRENCH SIZE	ELECTRODE SPACING (MM)	TIP ELECTRODE (MM)	DISTAL REACH	USABLE LENGTH (CM)
401653	5	2-5-2	2	Med Sweep CRD-2™	115
401654	5	5	2	Med Sweep CRD-2™	115

Required Catheter Connecting Cables – Page C.73

REORDER NUMBER	COLOR	CONNECTS THESE CATHETERS	USABLE LENGTH (CM)
401971	Black	Hexapolar	150
401972	Black	Hexapolar, Octapolar and Decapolar	150
401977	Red	Hexapolar, Octapolar and Decapolar	150
401976	Black	Hexapolar, Octapolar and Decapolar	210



Livewire™ Electrophysiology Catheter

Octapolar
5 F

Product Highlights

- 5 F model employs the CRD-2™ curve for placement at HIS bundle
- Ergonomic handling
- Rotary dial designed for fine tip movements
- Color-coded cables for convenience
- 1 mm band electrodes

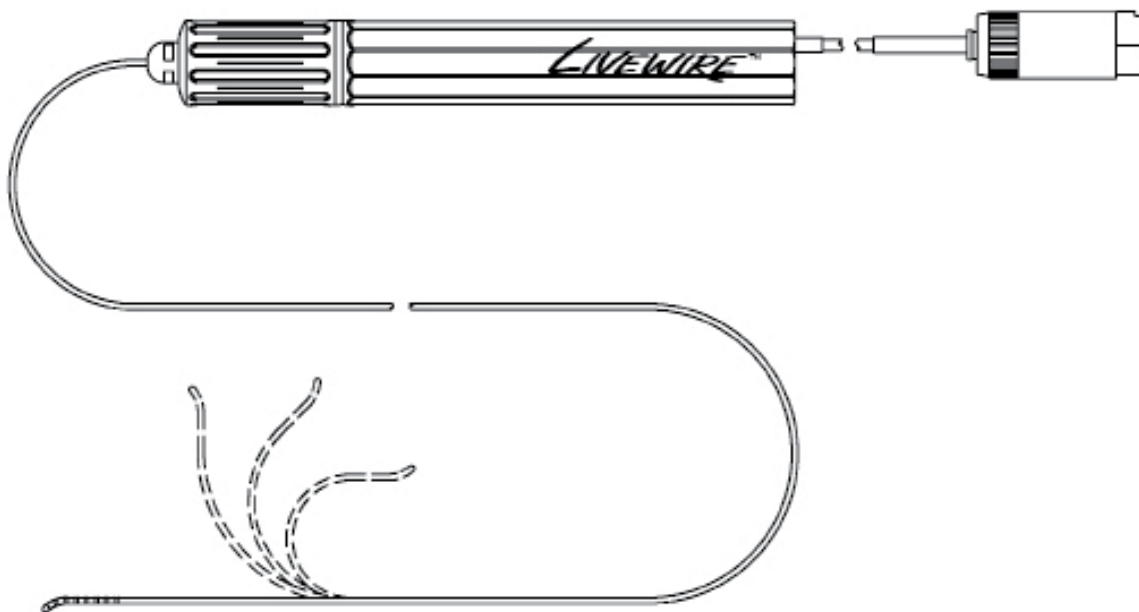
Ordering Information

Octapolar catheter (1 unit per box)

REORDER NUMBER	FRENCH SIZE	ELECTRODE SPACING (MM)	TIP ELECTRODE (MM)	DISTAL REACH	USABLE LENGTH (CM)
401652	5	2-2-2	2	Med Sweep CRD-2™	115

Required Catheter Connecting Cables – Page C.73

REORDER NUMBER	COLOR	CONNECTS THESE CATHETERS	USABLE LENGTH (CM)
401972	Black	Hexapolar, Octapolar and Decapolar	150
401977	Red	Hexapolar, Octapolar and Decapolar	150
401976	Black	Hexapolar, Octapolar and Decapolar	210



Livewire™ Electrophysiology Catheters

Decapolar
5 F

Product Highlights

- Ergonomic handling
- Rotary dial designed for fine tip movements
- Color-coded cables for convenience
- 1 mm band electrodes

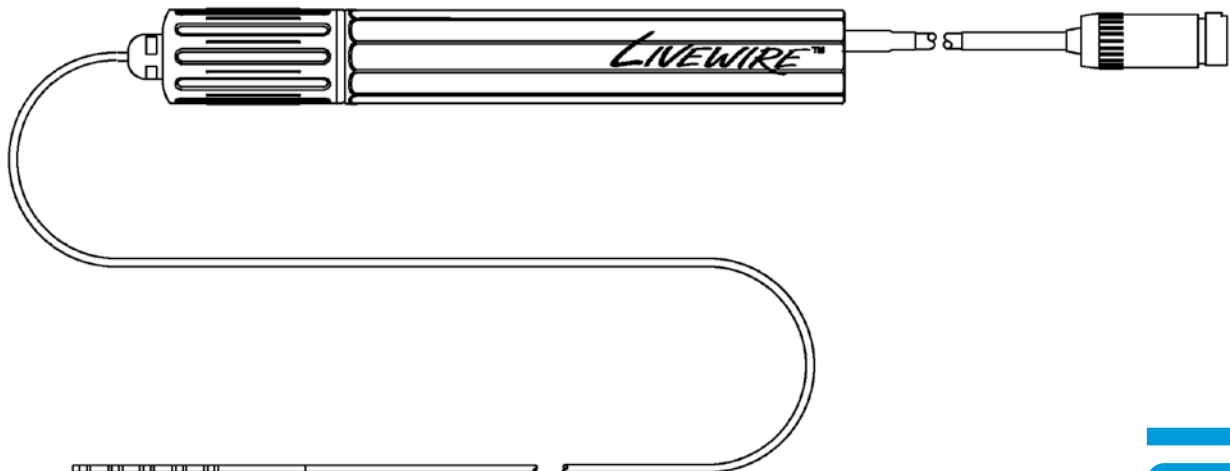
Ordering Information

5 F Decapolar catheter (1 unit per box)

REORDER NUMBER	FRENCH SIZE	ELECTRODE SPACING (MM)	TIP ELECTRODE (MM)	DISTAL REACH	USABLE LENGTH (CM)
401938	5	5-5-5	2	Med Sweep	115
401939	5	2-2-2	2	Med Sweep	115
401940	5	2-5-2	2	Med Sweep	115
401941	5	2-8-2	2	Extra Lrg Curl	115
401990	5	2-2-2	2	Extra Lrg Curl	115
401991	5	2-5-2	2	Extra Lrg Curl	115
401655	5	5-5-5	2	Extra Lrg Curl	115

Required Catheter Connecting Cables – Page C.73

REORDER NUMBER	COLOR	CONNECTS THESE CATHETERS	USABLE LENGTH (CM)
401972	Black	Hexapolar, Octapolar and Decapolar	150
401977	Red	Hexapolar, Octapolar and Decapolar	150
401976	Black	Hexapolar, Octapolar and Decapolar	210



Inquiry™ Electrophysiology Catheters

Quadripolar
5 F

Product Highlights

- Options for anatomic variabilities
- Multiple curve configurations for ease of placement
- Push/pull handle for steering control
- Soft tip option available
- 1 mm band electrodes

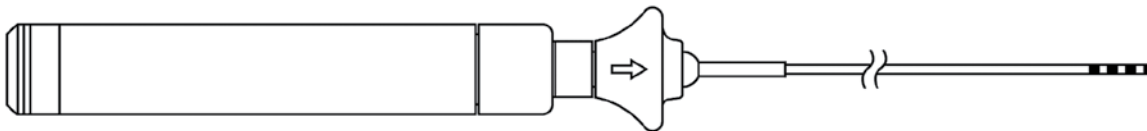
Ordering Information

5 F steerable diagnostic catheter (1 unit per box)

REORDER NUMBER	DESCRIPTION	ELECTRODE SPACING (MM)	CURVE TYPE	USABLE LENGTH (CM)
IBI-81472	1104-5-25-M	2-5-2	Medium	110
IBI-81473	1104-5-5-M	5	Medium	110
IBI-81474	1104-5-25-L	2-5-2	Large	110
IBI-81483	1104-5-5-E(HIS) (SOFT)	5	E(HIS)	110

Required Catheter Connecting Cables – Page C.72

REORDER NUMBER	MODEL NUMBER	DESCRIPTION	LENGTH (M)
IBI-85953	1904-SA	4-Pin Diagnostic Connecting Cable	1.5



Inquiry™ Electrophysiology Catheter

Pentapolar
5 F

Product Highlights

- 2 mm band electrode
- 1 mm tip electrode
- Push/pull handle for steering control

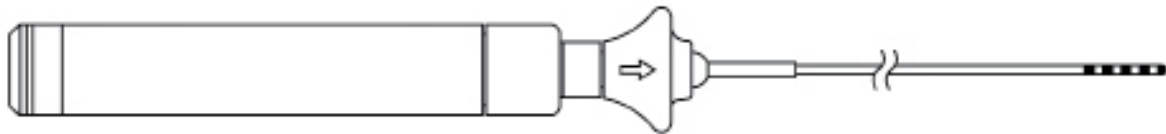
Ordering Information

5 F Pentapolar Soft tip catheter (1 unit per box)

REORDER NUMBER	DESCRIPTION	ELECTRODE SPACING (MM)	CURVE TYPE	USABLE LENGTH (CM)
IBI-81521	1105-5-5(170)-M/L-TE1BE2 (soft)	5 (170)	Medium/Large	110

Required Catheter Connecting Cables – Page C.72

REORDER NUMBER	MODEL NUMBER	DESCRIPTION	LENGTH (M)
IBI-85954	1910-SA	10-Pin Diagnostic Connecting Cable	1.5
IBI-85930	1910-S	10-Pin Diagnostic Connecting Cable	1.5



Inquiry™ Electrophysiology Catheters

Hepta/Octapolar
5 F

Product Highlights

- Variable electrode spacing for pacing and recording
- Multiple curve configurations for ease of placement
- Push/pull handle for steering control
- 1 mm band electrode

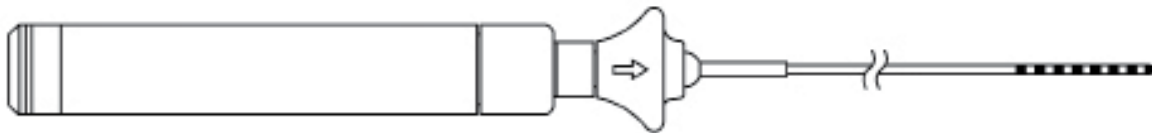
Ordering Information

Contents: 5 F steerable diagnostic catheter (1 unit per box)

REORDER NUMBER	DESCRIPTION	ELECTRODE SPACING (MM)	CURVE TYPE	USABLE LENGTH (CM)
IBI-81762	1107-5-25(170)-L1	2-5-2(170)	L1	110
IBI-81871	1108-5-2-M	2	Medium	110
IBI-81872	1108-5-25-M	2-5-2	Medium	110

Required Catheter Connecting Cables – Page C.72

REORDER NUMBER	MODEL NUMBER	DESCRIPTION	LENGTH (M)
IBI-85954	1910-SA	10-Pin Diagnostic Connecting Cable	1.5
IBI-85930	1910-S	10-Pin Diagnostic Connecting Cable	1.5



Inquiry™ Electrophysiology Catheters

Decapolar
5 F

Product Highlights

- Variable electrode spacing for pacing and recording
- Multiple curve configurations for ease of placement
- Push/pull handle for steering control
- 1 mm band electrodes, one model with 2 mm bands

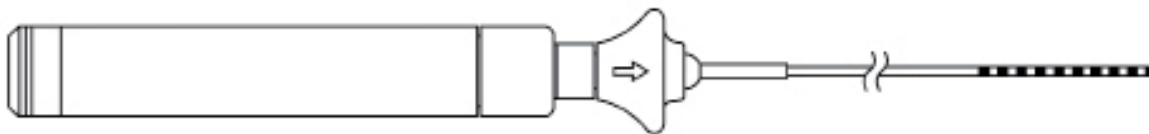
Ordering Information

5 F Decapolar steerable diagnostic catheter (1 unit per box)

REORDER NUMBER	DESCRIPTION	ELECTRODE SPACING (MM)	TIP ELECTRODE (MM)	CURVE TYPE	USABLE LENGTH (CM)
IBI-81171	1110-5-2-M	2	1	Medium	110
IBI-81172	1110-5-25-M	2-5-2	1	Medium	110
IBI-81174	1110-5-25-L	2-5-2	1	Large	110
IBI-81223	1110-5-2(50)3-XL	2(50)3	1	X-Large	110
IBI-81224	1110-5-2(30)3-M	2(30)3	1	Medium	110
IBI-81557	1110-5-3(170)50-M	3(170)50	1	Medium	110
IBI-81526	1110-5-2(170)170-C1(HIS)-TE2BE2(95)	2(170)170	2	C1(HIS)	95
IBI-81734	1110-5-25-L (SOFT)	2-5-2	1	Large	110
IBI-81735	1110-5-5-L (SOFT)	5	1	Large	110
IBI-81736	1110-5-5(22)5-M/L (SOFT)	5(22)5	1	Medium/Large	110
IBI-81721	1110-5-25-M(SC) (SOFT)	2-5-2	1	Medium(SC)	110
IBI-81730	1110-5-28-M/L (SOFT)	2-8-2	1	Medium/Large	110

Required Catheter Connecting Cables – Page C.72

REORDER NUMBER	MODEL NUMBER	DESCRIPTION	LENGTH (M)
IBI-85954	1910-SA	10-Pin Diagnostic Connecting Cable	1.5
IBI-85930	1910-S	10-Pin Diagnostic Connecting Cable	1.5



Livewire™ Electrophysiology Catheters

Quadripolar
6 F

Product Highlights

- Ergonomic handling
- Rotary dial designed for fine tip movements
- Choice of curve radius and reach of distal tip
- Color-coded cables for convenience
- 1 mm band electrodes

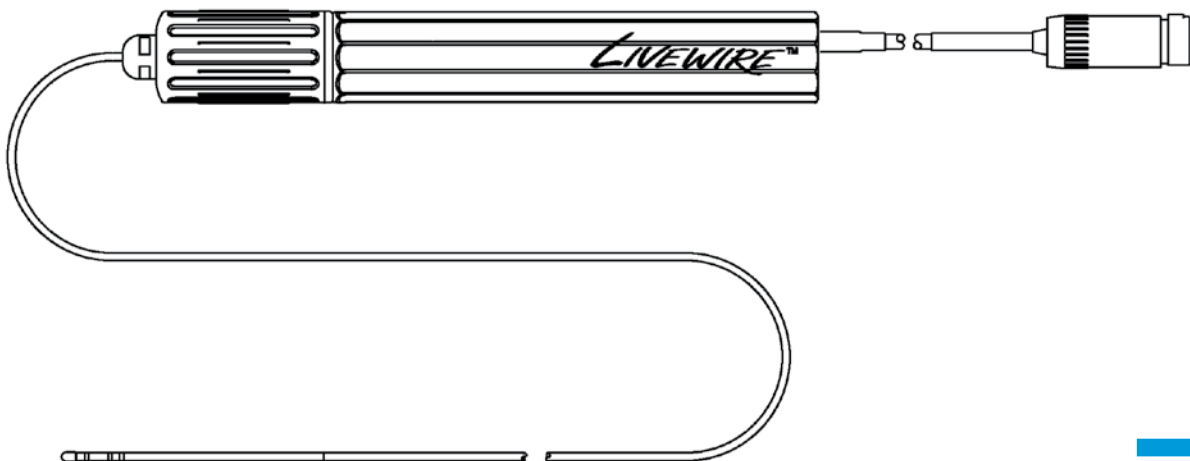
Ordering Information

6 F Quadripolar catheter (1 unit per box)

REORDER NUMBER	FRENCH SIZE	ELECTRODE SPACING (MM)	TIP ELECTRODE (MM)	DISTAL REACH	USABLE LENGTH (CM)
401600	6	2-5-2	4	Med Sweep	115
401603	6	2-5-2	4	Med Curl	115
401572	6	2-5-2	2	Med Sweep	115
401606	6	2-5-2	2	Lrg Sweep	115
401933	6	5-5-5	2	Med Sweep	115
401934	6	5-5-5	2	Lrg Sweep	115

Required Catheter Connecting Cables – Page C.73

REORDER NUMBER	COLOR	CONNECTS THESE CATHETERS	USABLE LENGTH (CM)
401970	Black	Bipolar and Quadripolar	150
401973	Blue	Bipolar and Quadripolar	150
401974	Grey	Bipolar and Quadripolar	150
401975	Red	Bipolar and Quadripolar	150



Livewire™ Electrophysiology Catheters

Octapolar
6 F

Product Highlights

- Ergonomic handling
- Rotary dial designed for fine tip movements
- Color-coded cables for convenience
- 1 mm band electrodes

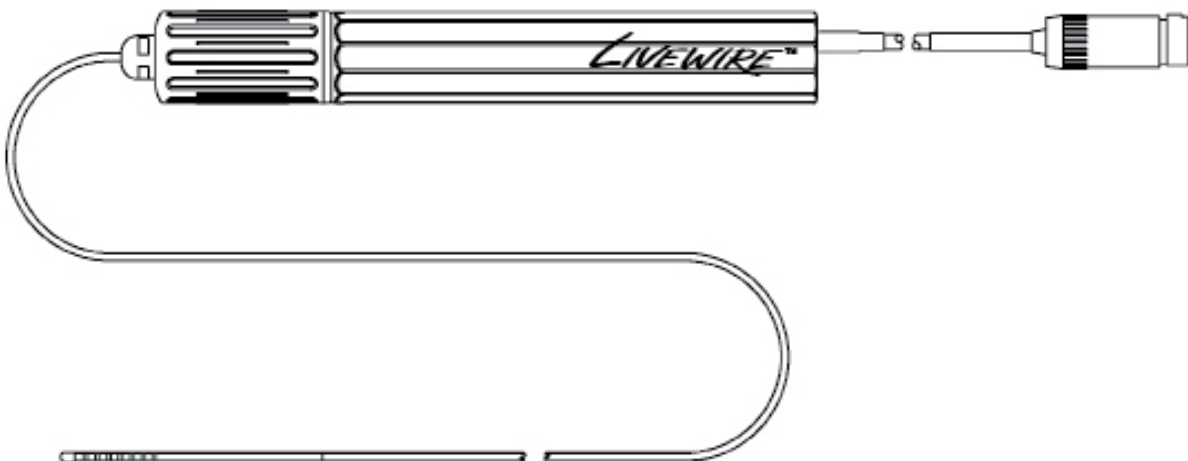
Ordering Information

Octapolar catheter (1 unit per box)

REORDER NUMBER	FRENCH SIZE	ELECTRODE SPACING (MM)	TIP ELECTRODE (MM)	DISTAL REACH	USABLE LENGTH (CM)
401917	6	2-2-2	2	Med Sweep	115

Required Catheter Connecting Cables – Page C.73

REORDER NUMBER	COLOR	CONNECTS THESE CATHETERS	USABLE LENGTH (CM)
401972	Black	Hexapolar, Octapolar and Decapolar	150
401977	Red	Hexapolar, Octapolar and Decapolar	150
401976	Black	Hexapolar, Octapolar and Decapolar	210



Livewire™ Electrophysiology Catheters

Decapolar
6 F

Product Highlights

- Ergonomic handling
- Rotary dial designed for fine tip movements
- Color-coded cables for convenience
- 1 mm band electrodes

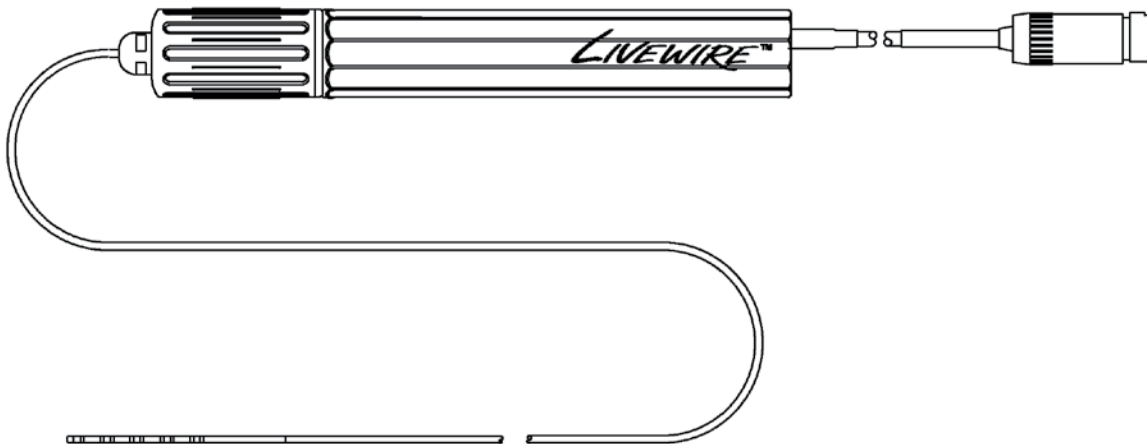
Ordering Information

Decapolar catheter (1 unit per box)

REORDER NUMBER	FRENCH SIZE	ELECTRODE SPACING (MM)	TIP ELECTRODE (MM)	DISTAL REACH	USABLE LENGTH (CM)
401575	6	2-5-2	2	Med Sweep	115
401915	6	2-5-2	2	Extra Lrg Curl	115
401923	6	2-2-2	2	Extra Lrg Curl	115

Required Catheter Connecting Cables – Page C.73

REORDER NUMBER	COLOR	CONNECTS THESE CATHETERS	USABLE LENGTH (CM)
401972	Black	Hexapolar, Octapolar and Decapolar	150
401977	Red	Hexapolar, Octapolar and Decapolar	150
401976	Black	Hexapolar, Octapolar and Decapolar	210



Livewire™ Electrophysiology Catheter

Decapolar CSL™ Bi-directional Catheter
6 F

Product Highlights

- CSL™ curve for ease of placement in the coronary sinus
- Bi-directional tip deflection allows for superior or inferior approach
- Ergonomic handling
- Rotary dial designed for fine tip movements
- Color-coded cables for convenience
- 1 mm band electrodes

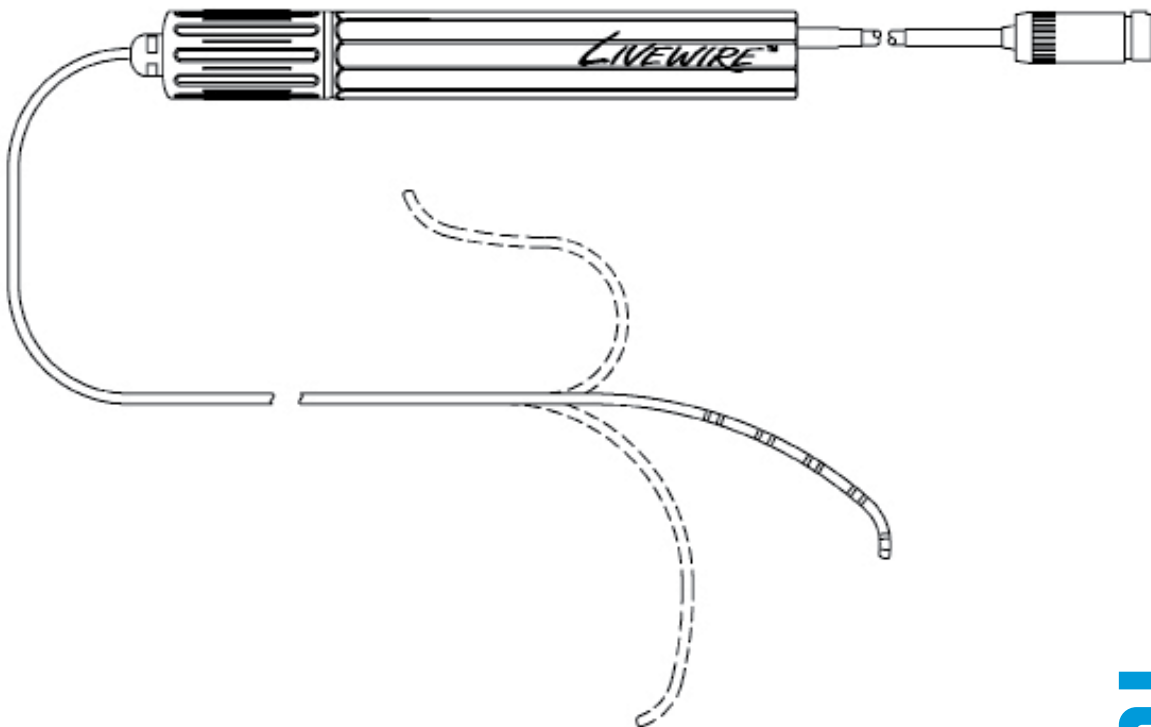
Ordering Information

6 F Decapolar CSL™ catheter (1 unit per box)

REORDER NUMBER	FRENCH SIZE	ELECTRODE SPACING (MM)	TIP ELECTRODE (MM)	DISTAL REACH	USABLE LENGTH (CM)
401926	6	2-8-2	2	Extra Lrg Sweep CSL™	115

Required Catheter Connecting Cables – Page C.73

REORDER NUMBER	COLOR	CONNECTS THESE CATHETERS	USABLE LENGTH (CM)
401972	Black	Hexapolar, Octapolar and Decapolar	150
401977	Red	Hexapolar, Octapolar and Decapolar	150
401976	Black	Hexapolar, Octapolar and Decapolar	210



Livewire™ Electrophysiology Catheter

Duo-Decapolar (20 electrodes)
6 F

Product Highlights

- Ergonomic handling
- Rotary dial designed for fine tip movements
- Color-coded cables for convenience
- 1 mm band electrodes

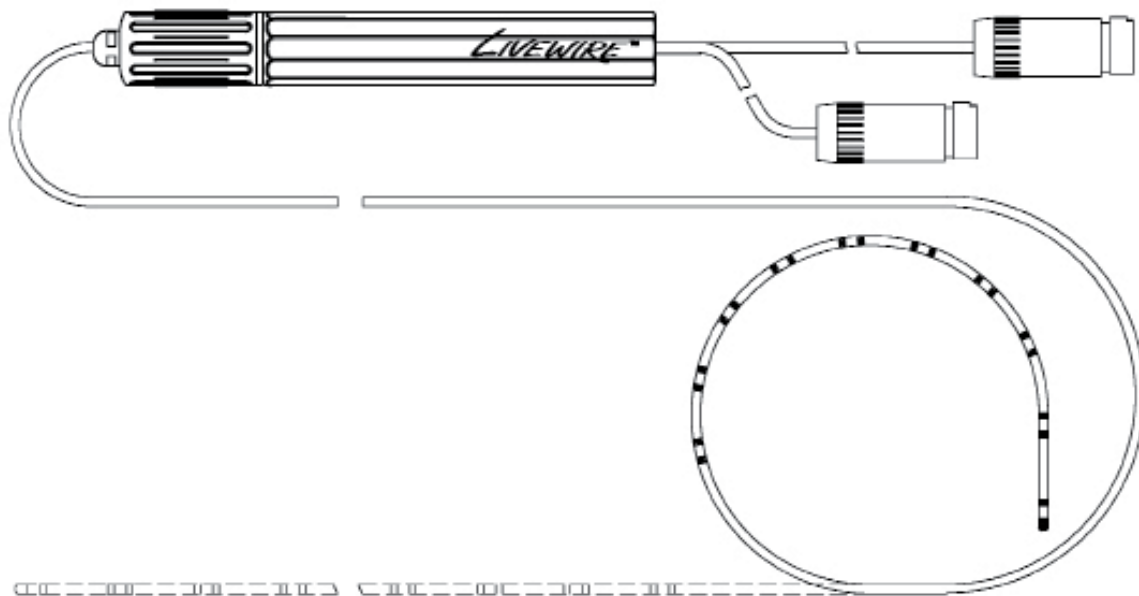
Ordering Information

6 F Duo-Decapolar catheter (1 unit per box) Note: Requires two catheter extension cables

REORDER NUMBER	FRENCH SIZE	ELECTRODE SPACING (MM)	TIP ELECTRODE (MM)	DISTAL REACH	USABLE LENGTH (CM)
402032	6	2-4-2	2	Large Curl	115

Required Catheter Connecting Cables – Page C.73

REORDER NUMBER	COLOR	CONNECTS THESE CATHETERS	USABLE LENGTH (CM)
401972	Black	Hexapolar, Octapolar and Decapolar	150
401977	Red	Hexapolar, Octapolar and Decapolar	150
401976	Black	Hexapolar, Octapolar and Decapolar	210



Inquiry™ Electrophysiology Catheters

Quadripolar
6 F

Product Highlights

- Variable electrode spacing for pacing and recording
- Multiple curve configurations for ease of placement
- Push/pull handle for steering control
- 2 mm band electrodes

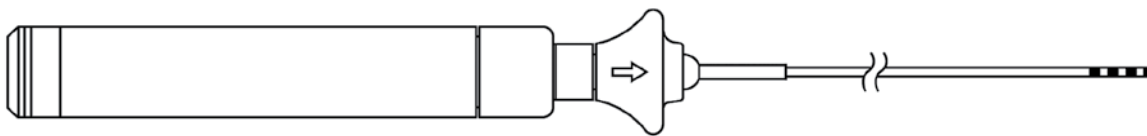
Ordering Information

6 F steerable diagnostic catheter (1 unit per box)

REORDER NUMBER	DESCRIPTION	ELECTRODE SPACING (MM)	CURVE TYPE	USABLE LENGTH (CM)
IBI-81402	1104-6-25-M	2-5-2	Medium	110
IBI-81403	1104-6-5-M	5	Medium	110
IBI-81404	1104-6-25-L	2-5-2	Large	110
IBI-81405	1104-6-5-L	5	Large	110
IBI-81417	1104-6-5-XL	5	X-Large	110
IBI-81418	1104-6-25-XL	2-5-2	X-Large	110
IBI-81508	1104-6-5-L1-TE2BE2-BD	5	L1	110

Required Catheter Connecting Cables – Page C.72

REORDER NUMBER	MODEL NUMBER	DESCRIPTION	LENGTH (M)
IBI-85953	1904-SA	4-Pin Diagnostic Connecting Cable	1.5



Inquiry™ Electrophysiology Catheters

Octapolar
6 F

Product Highlights

- Variable electrode spacing for pacing and recording
- Multiple curve configurations for ease of placement
- Push/pull handle for steering control
- Bi-directional steering model

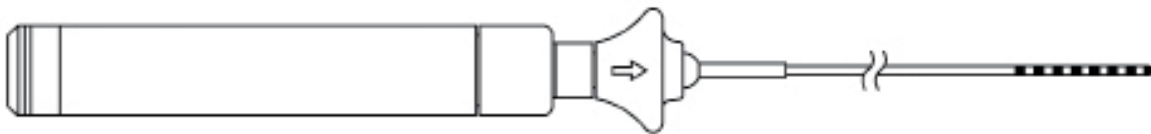
Ordering Information

6 F Octapolar steerable diagnostic catheter (1 unit per box)

REORDER NUMBER	DESCRIPTION	ELECTRODE SPACING (MM)	CURVE TYPE	USABLE LENGTH (CM)
IBI-81801	1108-6-2-M	2	Medium	110
IBI-81802	1108-6-25-M	2-5-2	Medium	110
IBI-81807	1108-6-2-L	2	Large	110
IBI-81809	1108-6-25-L	2-5-2	Large	110
IBI-81516	1108-6-25-L1-BD-TE2BE1(SOFT)	2-5-2	L1	110

Required Catheter Connecting Cables – Page C.72

REORDER NUMBER	MODEL NUMBER	DESCRIPTION	LENGTH (M)
IBI-85954	1910-SA	10-Pin Diagnostic Connecting Cable	1.5
IBI-85930	1910-S	10-Pin Diagnostic Connecting Cable	1.5



Inquiry™ Electrophysiology Catheters

Decapolar
6 F

Product Highlights

- Variable electrode spacing for pacing and recording
- Multiple curve configurations for ease of placement
- Push/pull handle for steering control
- Bi-directional steering model

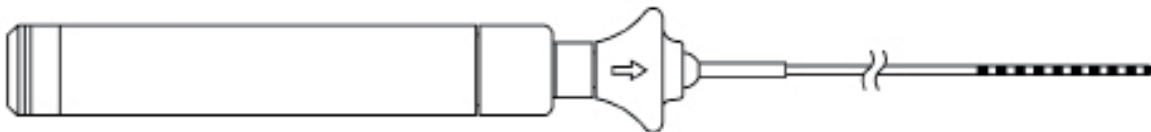
Ordering Information

6 F Decapolar steerable diagnostic catheter (1 unit per box)

REORDER NUMBER	DESCRIPTION	ELECTRODE SPACING (MM)	CURVE TYPE	USABLE LENGTH (CM)
IBI-81102	1110-6-25-M	2-5-2	Medium	110
IBI-81104	1110-6-25-L	2-5-2	Large	110
IBI-81105	1110-6-25-XL	2-5-2	X-Large	110
IBI-81107	1110-6-5-L	5	Large	110
IBI-81520	1110-6-2-XL-TE4BE4	2	X-Large	110
IBI-81524	1110-6-2-L-TE4BE4	2	Large	110
IBI-81945	1110-6-25-L(SOFT)	2-5-2	Large	110
IBI-81947	1110-6-5-M/L(SOFT)	5	Medium/Large	110
IBI-81504	1110-6-5-M-TE2BE2-BD	5	Medium	110
IBI-81199	1110-6-2-L1-TE2BE2	2	L1	110

Required Catheter Connecting Cables – Page C.72

REORDER NUMBER	MODEL NUMBER	DESCRIPTION	LENGTH (M)
IBI-85954	1910-SA	10-Pin Diagnostic Connecting Cable	1.5
IBI-85930	1910-S	10-Pin Diagnostic Connecting Cable	1.5



Livewire™ Electrophysiology Catheter

Hexapolar
7 F

Product Highlights

- 5 F models employ the CRD-2™ catheter curve for placement at HIS bundle
- Ergonomic handling
- Rotary dial designed for fine tip movements
- Color-coded cables for convenience
- 1 mm band electrodes

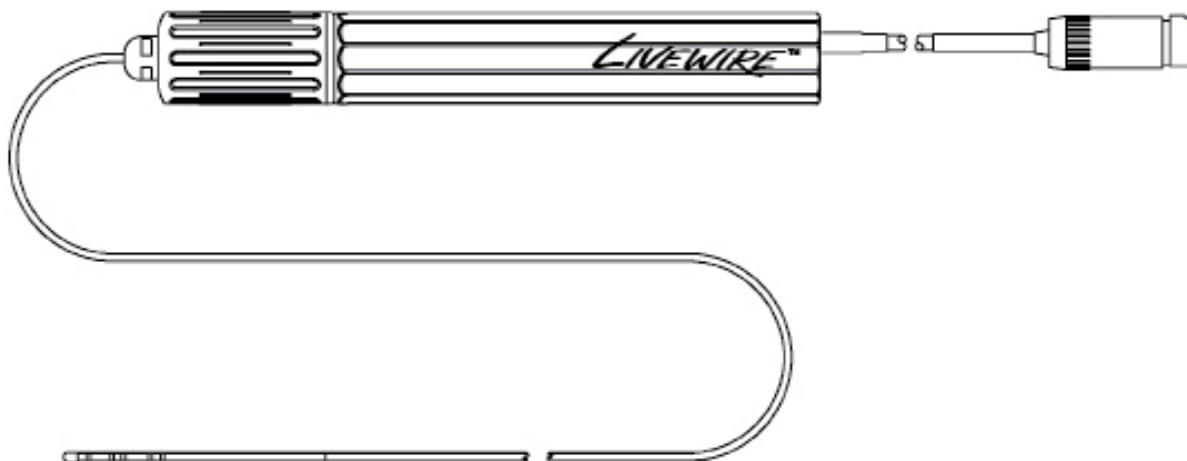
Ordering Information

Hexapolar catheter (1 unit per box)

REORDER NUMBER	FRENCH SIZE	ELECTRODE SPACING (MM)	TIP ELECTRODE (MM)	DISTAL REACH	USABLE LENGTH (CM)
401580	7	2-5-2	2	Med Sweep	115

Required Catheter Connecting Cables – Page C.73

REORDER NUMBER	COLOR	CONNECTS THESE CATHETERS	USABLE LENGTH (CM)
401971	Black	Hexapolar	150
401972	Black	Hexapolar, Octapolar and Decapolar	150
401977	Red	Hexapolar, Octapolar and Decapolar	150
401976	Black	Hexapolar, Octapolar and Decapolar	210



Livewire™ Electrophysiology Catheter

Octapolar
7 F

Product Highlights

- Ergonomic handling
- Rotary dial designed for fine tip movements
- Color-coded cables for convenience
- 1 mm band electrodes

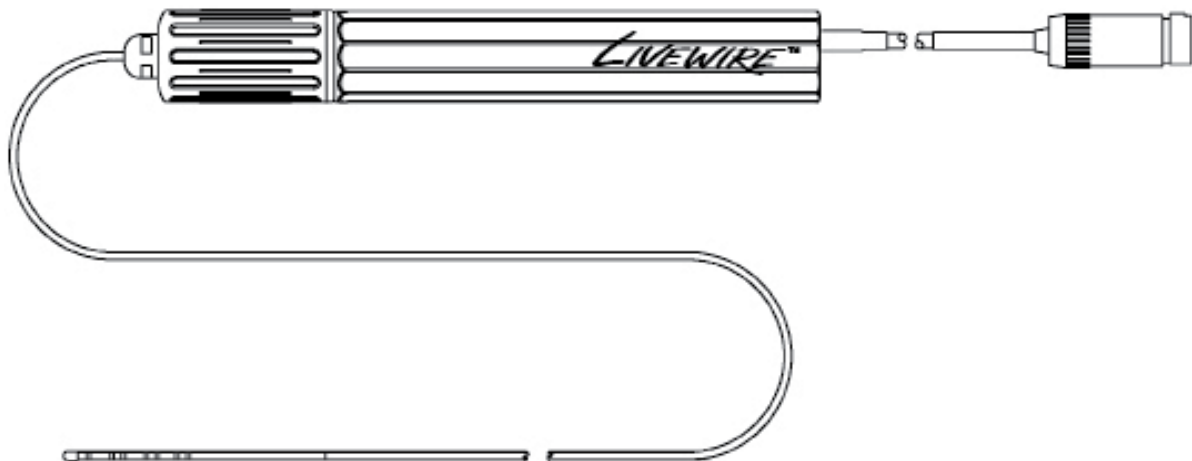
Ordering Information

Octapolar catheter (1 unit per box)

REORDER NUMBER	FRENCH SIZE	ELECTRODE SPACING (MM)	TIP ELECTRODE (MM)	DISTAL REACH	USABLE LENGTH (CM)
401581	7	2-5-2	2	Med Sweep	115

Required Catheter Connecting Cables – Page C.73

REORDER NUMBER	COLOR	CONNECTS THESE CATHETERS	USABLE LENGTH (CM)
401972	Black	Hexapolar, Octapolar and Decapolar	150
401977	Red	Hexapolar, Octapolar and Decapolar	150
401976	Black	Hexapolar, Octapolar and Decapolar	210



Livewire™ Electrophysiology Catheter

Decapolar
7 F

Product Highlights

- Ergonomic handling
- Rotary dial designed for fine tip movements
- Color-coded cables for convenience
- 1 mm band electrodes

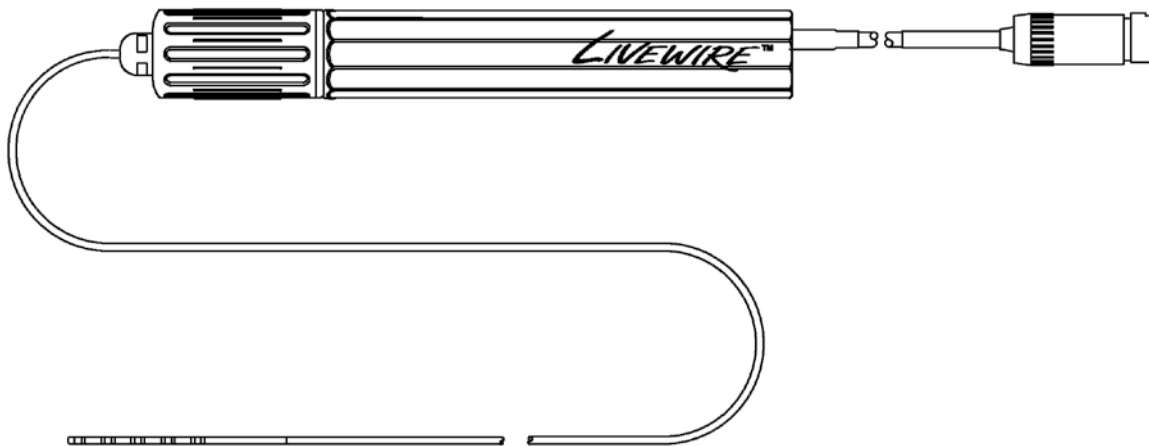
Ordering Information

Decapolar catheter (1 unit per box)

REORDER NUMBER	FRENCH SIZE	ELECTRODE SPACING (MM)	TIP ELECTRODE (MM)	DISTAL REACH	USABLE LENGTH (CM)
401582	7	2-5-2	2	Med Sweep	115
401935	7	2	2	Xtra Lrg Sweep	115

Required Catheter Connecting Cables – Page C.73

REORDER NUMBER	COLOR	CONNECTS THESE CATHETERS	USABLE LENGTH (CM)
401972	Black	Hexapolar, Octapolar and Decapolar	150
401977	Red	Hexapolar, Octapolar and Decapolar	150
401976	Black	Hexapolar, Octapolar and Decapolar	210



Livewire™ Electrophysiology Catheters

Duo-Decapolar (20 electrodes)
7 F

Product Highlights

- Ergonomic handling
- Rotary dial designed for fine tip movements
- Color-coded cables for convenience
- 1 mm band electrodes

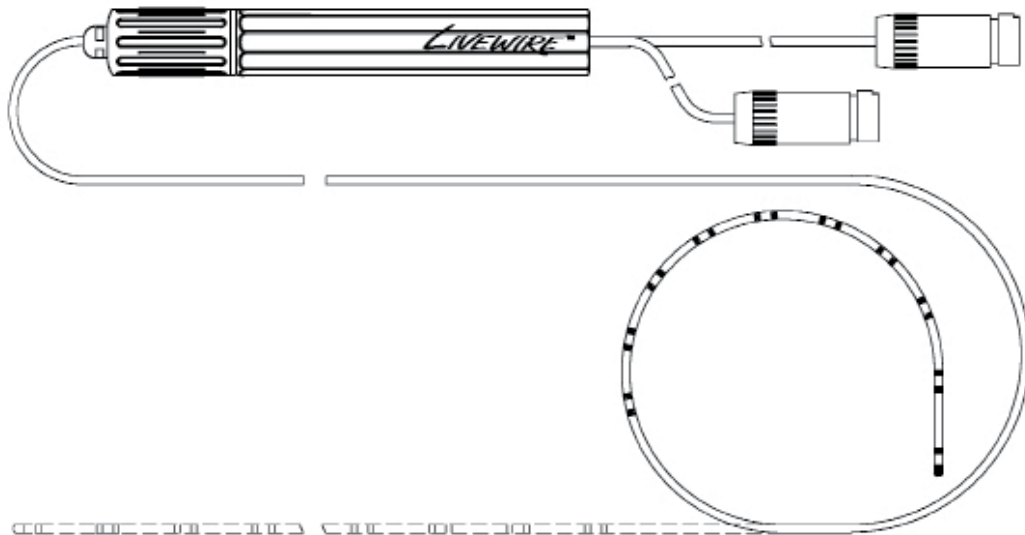
Ordering Information

7 F Duo-Decapolar catheter (1 unit per box) Note: Requires two catheter extension cables

REORDER NUMBER	FRENCH SIZE	ELECTRODE SPACING (MM)	TIP ELECTRODE (MM)	DISTAL REACH	USABLE LENGTH (CM)
401904	7	2-10-2	2	Super Large Curl	95
401905	7	5-5-5	2	Super Large Curl	95
401914	7	2-5-2	2	Super Large Curl	95
401908	7	2-2-2	2	Medium Curl	115

Required Catheter Connecting Cables – Page C.73

REORDER NUMBER	COLOR	CONNECTS THESE CATHETERS	USABLE LENGTH (CM)
401972	Black	Hexapolar, Octapolar and Decapolar	150
401977	Red	Hexapolar, Octapolar and Decapolar	150
401976	Black	Hexapolar, Octapolar and Decapolar	210



Livewire™ Electrophysiology Catheter

Dual-Purpose Duo-Decapolar
(20 electrodes)
7 F

Product Highlights

- Electrode spacing allows for use within CS and right atrium
- Ergonomic handling
- Rotary dial designed for fine tip movements
- Color coded cables for convenience
- 1 mm band electrodes

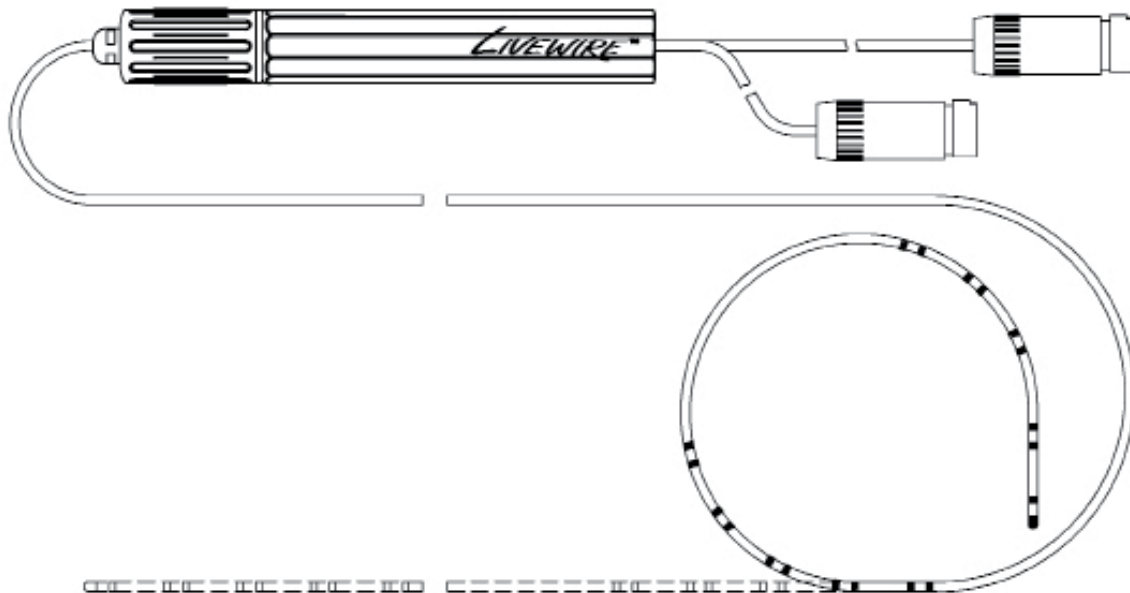
Ordering Information

7 F Duo-Decapolar catheter (1 unit per box) Note: Requires two catheter extension cables

REORDER NUMBER	FRENCH SIZE	ELECTRODE SPACING (MM)	TIP ELECTRODE (MM)	DISTAL REACH	USABLE LENGTH (CM)
401932	7	2-8-2-(60)-2-8-2	2	Super Large Curl	95

Required Catheter Connecting Cables – Page C.73

REORDER NUMBER	COLOR	CONNECTS THESE CATHETERS	USABLE LENGTH (CM)
401972	Black	Hexapolar, Octapolar and Decapolar	150
401977	Red	Hexapolar, Octapolar and Decapolar	150
401976	Black	Hexapolar, Octapolar and Decapolar	210



Livewire™ Electrophysiology Catheter

Duo-Decapolar (20 electrodes) BDB™ Catheter
7 F

Product Highlights

- BDB™ electrode spacing assists in confirming bi-directional block
- Ergonomic handling
- Rotary dial designed for fine tip movements
- Color-coded cables for convenience
- 1 mm band electrodes

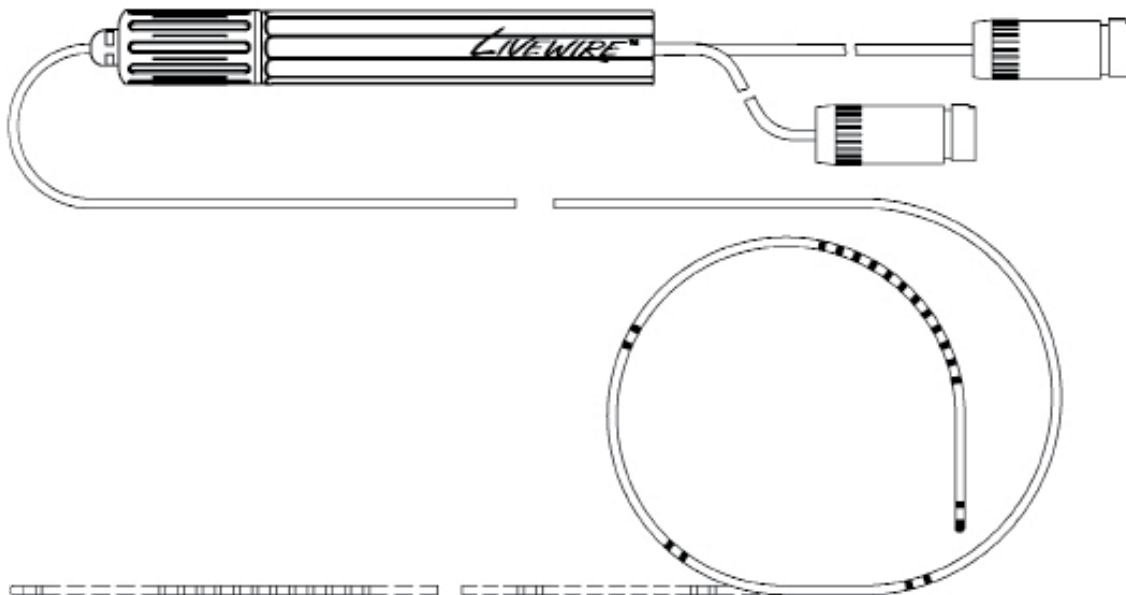
Ordering Information

7 F Duo-Decapolar BDB™ catheter (1 unit per box) Note: Requires two catheter extension cables

REORDER NUMBER	FRENCH SIZE	ELECTRODE SPACING (MM)	TIP ELECTRODE (MM)	DISTAL REACH	USABLE LENGTH (CM)
401918	7	2-20-2-2-2-2-2-2-2-2-2-2-2-2-25-2-25-2-25-2	2	Super Large Curl	95

Required Catheter Connecting Cables – Page C.73

REORDER NUMBER	COLOR	CONNECTS THESE CATHETERS	USABLE LENGTH (CM)
401972	Black	Hexapolar, Octapolar and Decapolar	150
401977	Red	Hexapolar, Octapolar and Decapolar	150
401976	Black	Hexapolar, Octapolar and Decapolar	210



Inquiry™ Electrophysiology Catheters

Ten Ten™ Catheter
7 F

Product Highlights

- Variable electrode spacing for pacing and recording
- Multiple curve configurations for ease of placement
- Push/pull handle for steering control
- Duo-decapolar design for mapping in the high right atrium
- Multiple curve options for ease of placement
- 1 mm band electrodes
- 20 poles

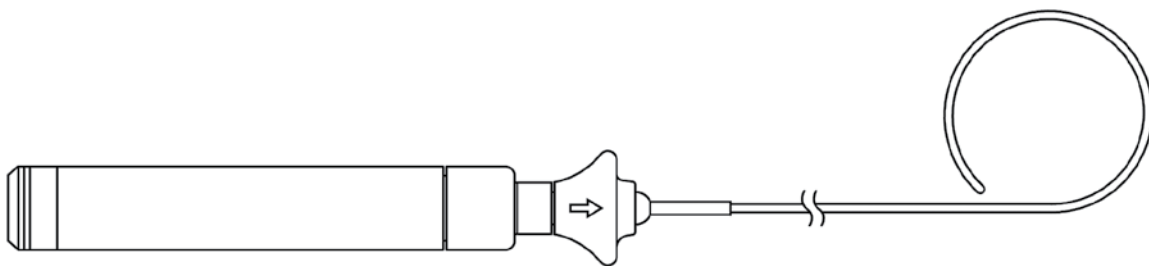
Ordering Information

Ten Ten™ catheter (1 unit per box)

REORDER NUMBER	DESCRIPTION	ELECTRODE SPACING (MM)	TIP ELECTRODE (MM)	DISTAL REACH	USABLE LENGTH (CM)
IBI-81202	1120-7-2-10-XXL	2-10-2	1	XX-Large	110
IBI-81207	1120-7-5-SL	5	1	Super Large	110
IBI-81209	1120-7-25-SL	2-5-2	1	Super Large	110

Required Catheter Connecting Cables – Page C.72

REORDER NUMBER	MODEL NUMBER	DESCRIPTION	LENGTH (M)
IBI-85931	1924-S	24-Pin Diagnostic Connecting Cable	1.5



Inquiry™ Electrophysiology Catheters

H-Curve
7 F

Product Highlights

- Multiple curve configurations for ease of placement
- Push/pull handle for steering control
- 45° offset angle facilitates placement along the TVA
- 1 mm band electrodes

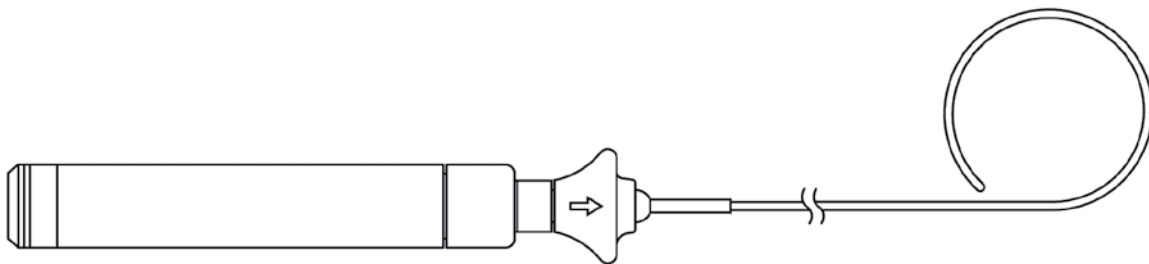
Ordering Information

7 F Decapolar H-Curve catheter (1 unit per box)

REORDER NUMBER	DESCRIPTION	ELECTRODE SPACING (MM)	TIP ELECTRODE (MM)	CURVE TYPE	USABLE LENGTH (CM)
IBI-81125	1110-7-291-H	1 Active	2-9-1	H-Curve	110
IBI-81126	1110-7-291-HL	1 Active	2-9-1	H-Large	110

Required Catheter Connecting Cables – Page C.72

REORDER NUMBER	MODEL NUMBER	DESCRIPTION	LENGTH (M)
IBI-85954	1910-SA	10-Pin Diagnostic Connecting Cable	1.5
IBI-85930	1910-S	10-Pin Diagnostic Connecting Cable	1.5



Inquiry™ Electrophysiology Catheters

H-Curve
7 F

Product Highlights

- Variable electrode spacing for pacing and recording, and increased mapping options in the right atrium
- Multiple curve configurations for ease of placement
- Push/pull handle for steering control
- 45° offset angle facilitates placement along the TVA
- 1 mm band electrodes

Ordering Information

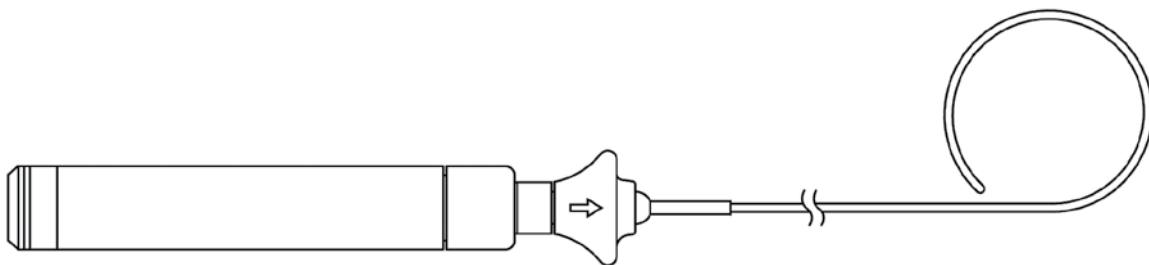
7 F Duo-Decapolar H-Curve catheter (1 unit per box)

REORDER NUMBER	DESCRIPTION	ELECTRODE SPACING (MM)	TIP (MM)	CURVE TYPE	USABLE LENGTH (CM)
IBI-81120	1120-7-17-H	1-7-1	1 Inactive	H-Curve	110
IBI-81130	1120-7-19-HL	1-9-1	1 Inactive	H-Large	110
IBI-81136	1120-7-5-HL-UP	5	1 Inactive	H-Large	110

Note: IBI-81136 has a reference electrode 35 cm from distal tip

Required Catheter Connecting Cables – Page C.72

REORDER NUMBER	MODEL NUMBER	DESCRIPTION	LENGTH (M)
IBI-85931	1924-S	24-Pin Diagnostic Connecting Cable	1.5



Inquiry™ Electrophysiology Catheters

H-Curve
7 F

Product Highlights

- Variable electrode spacing for pacing and recording, and increased mapping options in the right atrium
- Multiple curve configurations for ease of placement
- Push/pull handle for steering control
- Choice of curve configuration to accommodate placement
- 45° offset angle facilitates placement along the TVA
- 1 mm band electrodes

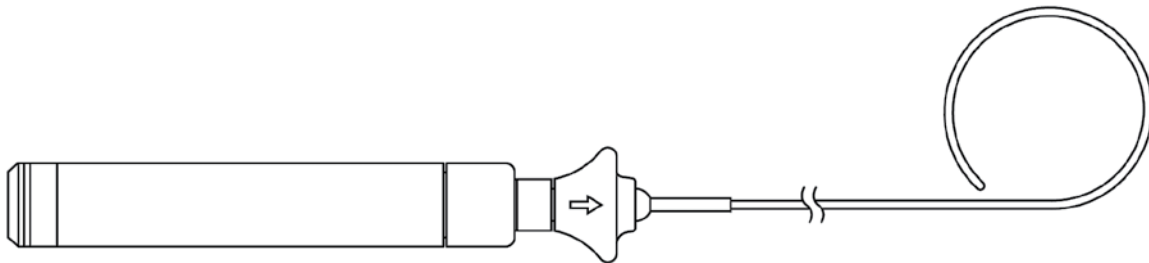
Ordering Information

7 F 21-Pole or 24-Pole H-Curve catheter (1 unit per box)

REORDER NUMBER	DESCRIPTION	ELECTRODE SPACING (MM)	CURVE TYPE	USABLE LENGTH (CM)
IBI-81121	1121-7-17-H-SC	1-7-1	H-SC	110
IBI-81124	1124-7-271-H	2-7-1	H-Curve	110
IBI-81134	1124-7-291-HL	2-9-1	H-Large	110

Required Catheter Connecting Cables – Page C.72

REORDER NUMBER	MODEL NUMBER	DESCRIPTION	LENGTH (M)
IBI-85931	1924-S	24-Pin Diagnostic Connecting Cable	1.5



Inquiry™ Electrophysiology Catheter

Luma-Cath™ Catheters
7 F

Product Highlights

- Bipolar curve configuration
- Guidewire access via central lumen
- 1 mm band electrodes

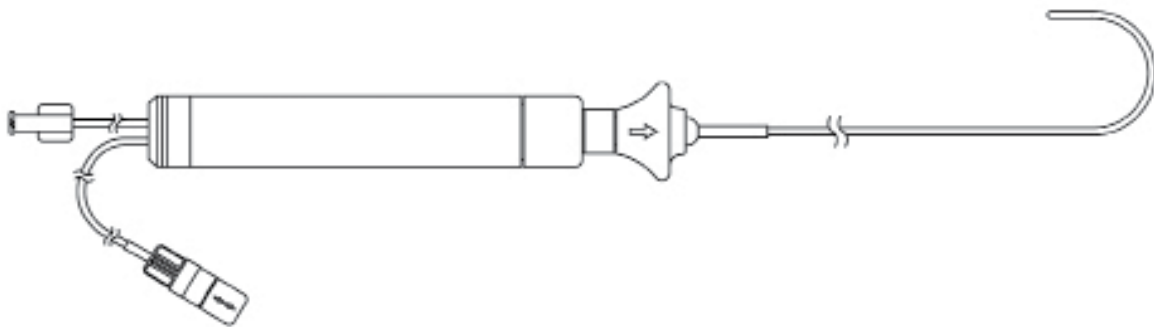
Ordering Information

7 F Bipolar steerable Luma-Cath™ catheter (1 unit per box)

REORDER NUMBER	DESCRIPTION	ELECTRODE SPACING (MM)	CURVE TYPE	USABLE LENGTH (CM)
IBI-81938	1102-L-7-5-L	5	Large	110

Required Catheter Connecting Cables – Page C.72

REORDER NUMBER	MODEL NUMBER	DESCRIPTION	LENGTH (M)
IBI-85953	1904-SA	4-Pin Diagnostic Connecting Cable	1.5



Inquiry™ Electrophysiology Catheters

Luma-Cath™ Catheter
7 F

Product Highlights

- Decapolar curve configuration
- Guidewire access via central lumen
- 1 mm band electrodes

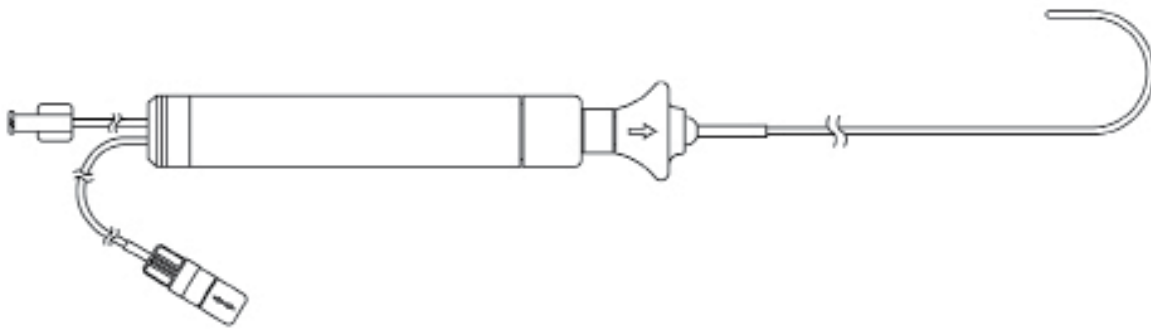
Ordering Information

7 F Decapolar steerable Luma-Cath™ catheter (1 unit per box)

REORDER NUMBER	DESCRIPTION	ELECTRODE SPACING (MM)	TIP (MM)	CURVE TYPE	USABLE LENGTH (CM)
IBI-81918	1110-L-7-25-L	2-5-2	1	Large	110
IBI-81920	1110-L-7-25-M	2-5-2	1	Medium	110

Required Catheter Connecting Cables – Page C.72

REORDER NUMBER	MODEL NUMBER	DESCRIPTION	LENGTH (M)
IBI-85954	1910-SA	10-Pin Diagnostic Connecting Cable	1.5
IBI-85930	1910-S	10-Pin Diagnostic Connecting Cable	1.5



Advisor™ FL Circular Mapping Catheters

Sensor Enabled™
8 F

Product Highlights

- Torque response and planarity for catheter control
- Consistent 180 degree deflection for ease of loop placement
- Two additional shaft electrodes to aid catheter visualization
- Bi-directional handle with asymmetric D/F curve
- Push/pull handle with uni-directional D curve
- 2 mm tip and 1 mm band electrodes
- 4 F loop on 7.5 F shaft compatible with 8 F introducer
- Integrates with EnSite Precision™ cardiac mapping system and MediGuide™ technology

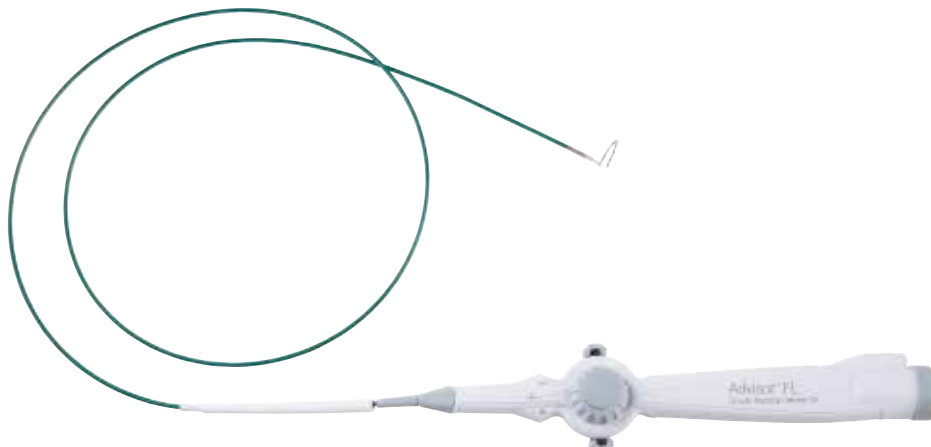
Ordering Information

Contents: 8 F circular mapping catheter

REORDER NUMBER	DESCRIPTION	CURVE	NUMBER OF ELECTRODES	ELECTRODE SPACING (MM)	LOOP DIAMETER (MM)	USABLE LENGTH (CM)
D-AVSE-D10-F15	Sensor Enabled™ Uni-D Circular Mapping Catheter	D	10	3-3-3	15	105
D-AVSE-D10-F20	Sensor Enabled™ Uni-D Circular Mapping Catheter	D	10	5-5-5	20	105
D-AVSE-DF10-F15	Sensor Enabled™ Bi-D Circular Mapping Catheter	DF	10	3-3-3	15	105
D-AVSE-DF10-F20	Sensor Enabled™ Bi-D Circular Mapping Catheter	DF	10	5-5-5	20	105

Required Catheter Connecting Cable – Page C.71

REORDER NUMBER	DESCRIPTION	LENGTH (M)
D-AVSE-CBL12	12-Pin Sensor Enabled™ Diagnostic Catheter Cable	1.5



Inquiry™ Electrophysiology Catheter

Inquiry™ AFocus™ Catheter
5 F

Product Highlights

- Fixed shaft with perpendicular 5 F variable loop
- Multi-directional mapping for electrode positioning in various anatomical structures
- Push/pull handle for steering control
- 1 mm band electrodes

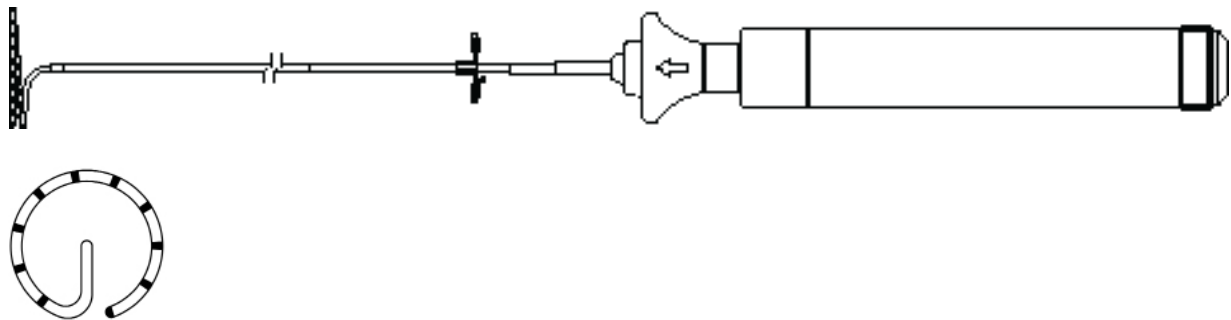
Ordering Information

5 F non-steerable AFocus™ catheter (1 unit per box)

REORDER NUMBER	DESCRIPTION	NUMBER OF ELECTRODES	ELECTRODE SPACING (MM)	LOOP DIAMETER (MM)	USABLE LENGTH (CM)
IBI-81674	1110-5-5-AF20	10	5	20	110

Required Catheter Connecting Cables – Page C.72

REORDER NUMBER	MODEL NUMBER	DESCRIPTION	LENGTH (M)
IBI-85954	1910-SA	10-Pin Diagnostic Connecting Cable	1.5
IBI-85955	1914-SA	14-Pin Diagnostic Connecting Cable	1.5
IBI-85930	1910-S	10-Pin Diagnostic Connecting Cable	1.5



Inquiry™ Electrophysiology Catheters

Inquiry™ AFocus II™ Catheter
5 F

Product Highlights

- Steerable shaft with 5 F fixed loop
- Multi-directional mapping for electrode positioning in various anatomical structures
- Push/pull handle for steering control
- 1 mm band electrodes

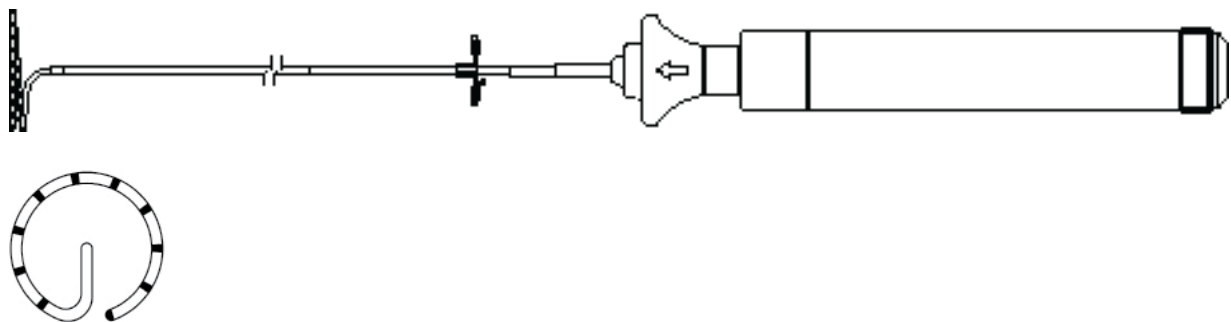
Ordering Information

5 F steerable AFocus II™ catheter (1 unit per box)

REORDER NUMBER	DESCRIPTION	NUMBER OF ELECTRODES	ELECTRODE SPACING (MM)	LOOP DIAMETER (MM)	USABLE LENGTH (CM)
IBI-81673	1110-5-5-SM-AF20	10	5	20	110
IBI-81680	1110-5-3.5-SM-AF15	10	3.5	15	110

Required Catheter Connecting Cables – Page C.72

REORDER NUMBER	MODEL NUMBER	DESCRIPTION	LENGTH (M)
IBI-85954	1910-SA	10-Pin Diagnostic Connecting Cable	1.5
IBI-85955	1914-SA	14-Pin Diagnostic Connecting Cable	1.5
IBI-85930	1910-S	10-Pin Diagnostic Connecting Cable	1.5



Inquiry™ Electrophysiology Catheters

Inquiry™ AFocus II™ Catheter
7 F

Product Highlights

- Steerable shaft with 4 F fixed loop
- Multi-directional mapping for electrode positioning in various anatomical structures
- Push/pull handle for steering control
- 1 mm band electrodes

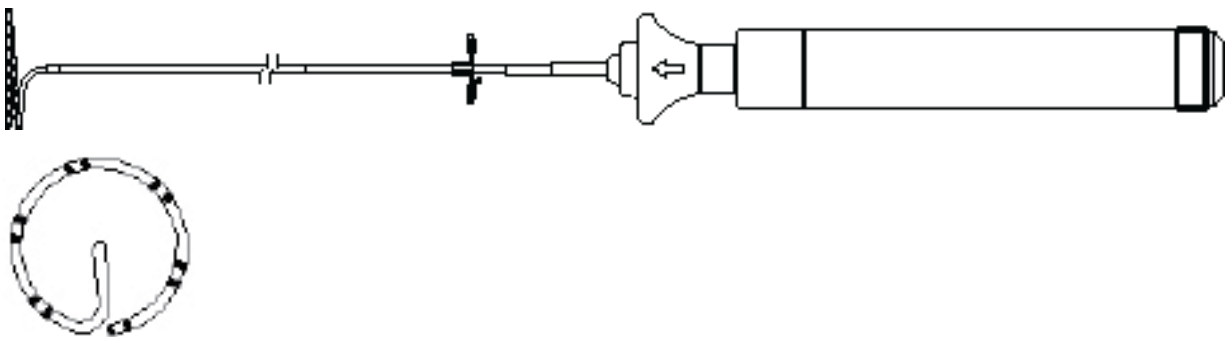
Ordering Information

7 F steerable AFocus II™ catheter (1 unit per box)

REORDER NUMBER	DESCRIPTION	NUMBER OF ELECTRODES	ELECTRODE SPACING (MM)	LOOP DIAMETER (MM)	USABLE LENGTH (CM)
IBI-81587	1120-7-1(2.5)-SM-AF20	20	1-2.5-1	20	110
IBI-81594	1110-7-3.5-SM-AF15	10	3.5	15	110
IBI-81595	1110-7-5-SM-AF20	10	5	20	110
IBI-81596	1110-7-27-SM-AF20	10	2-7-2	20	110
IBI-81599	1110-7-8-SM-AF25	10	8	25	110

Required Catheter Connecting Cables – Page C.72

REORDER NUMBER	MODEL NUMBER	DESCRIPTION	LENGTH (M)
IBI-85954	1910-SA	10-Pin Diagnostic Connecting Cable	1.5
IBI-85955	1914-SA	14-Pin Diagnostic Connecting Cable	1.5
IBI-85931	1924-S	24-Pin Diagnostic Connecting Cable	1.5
IBI-85930	1910-S	10-Pin Diagnostic Connecting Cable	1.5



Inquiry™ Electrophysiology Catheters

Inquiry™ AFocus II™ EB Catheter
7 F

Product Highlights

- Steerable extended braid shaft with 4 F fixed loop
- Offset shaft-to-loop axis
- 50 mm turning radius
- Uni-directional 180-degree deflection
- Push/pull handle
- 1 mm band electrodes
- 2 mm tip electrode

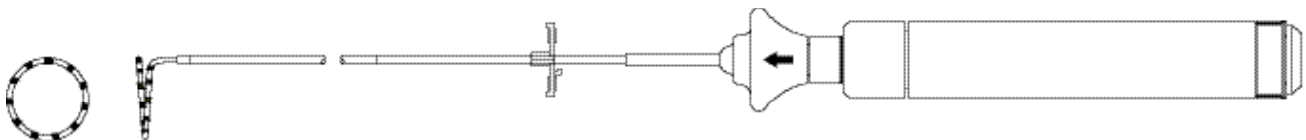
Ordering Information

7 F steerable AFocus II™ EB catheter (1 unit per box)

REORDER NUMBER	DESCRIPTION	NUMBER OF ELECTRODES	ELECTRODE SPACING (MM)	LOOP DIAMETER (MM)	USABLE LENGTH (CM)
D087022	1110-7-5-SM-AF20EB	10	5	20	110
D087023	1110-7-3-SM-AF15EB	10	3	15	110
D087024	1120-7-1(2.5)-SM-AF20EB	20	1-2.5-1	20	110

Required Catheter Connecting Cables – Page C.72

REORDER NUMBER	MODEL NUMBER	DESCRIPTION	LENGTH (M)
IBI-85954	1910-SA	10-Pin Diagnostic Connecting Cable	1.5
IBI-85955	1914-SA	14-Pin Diagnostic Connecting Cable	1.5
IBI-85931	1924-S	24-Pin Diagnostic Connecting Cable	1.5
IBI-85930	1910-S	10-Pin Diagnostic Connecting Cable	1.5



Advisor™ VL Circular Mapping Catheters

Sensor Enabled™
8 F

Product Highlights

- Bi-directional handle with asymmetric D/F curve
- Torque response and planarity for catheter control¹
- Consistent 180 degree deflection for ease of loop placement
- Two additional shaft electrodes to aid catheter visualization
- Push/pull handle with uni-directional D curve
- Inactive tip and 1 mm band electrodes
- 4 F loop on 7.5 F shaft compatible with 8 F introducer
- Integrates with EnSite Precision™ cardiac mapping system

Ordering Information

Contents: 8 F circular mapping catheter

REORDER NUMBER	DESCRIPTION	CURVE	NUMBER OF LOOP ELECTRODES	ELECTRODE SPACING (MM)	PV RANGE (MM)	USABLE LENGTH (CM)
D-AVSE-D10-V1525	Sensor Enabled™ Uni-D Circular Mapping Catheter	D	10	6.5	15-25	117
D-AVSE-D20-V1525	Sensor Enabled Uni-D Circular Mapping Catheter	D	20	1-4-1	15-25	117
D-AVSE-DF10-V1525	Sensor Enabled Bi-D Circular Mapping Catheter	DF	10	6.5	15-25	117
D-AVSE-DF20-V1525	Sensor Enabled Bi-D Circular Mapping Catheter	DF	20	1-4-1	15-25	117

Required Catheter Connecting Cable

REORDER NUMBER	DESCRIPTION	LENGTH (M)
D-AVSE-CBL-22	22-Pin Sensor Enabled™ Diagnostic Catheter Cable	1.5



1. Abbott. Report on file. 90471601.

Inquiry™ Electrophysiology Catheters

Inquiry™ Optima™
(4 F and 5 F Loop) Catheter
7 F

Product Highlights

- Deflectable distal tip to a true 180°
- Multi-directional mapping for electrode positioning in various anatomical structures
- 10-pole (with 4 F loop) and 20-pole (with 5 F loop) models
- Braided shaft option for enhanced torqueability
- 1 mm band electrodes
- 2 mm tip electrode
- Uni-directional 180 degree deflection

Ordering Information

7 F Optima™ catheter (1 unit per box)

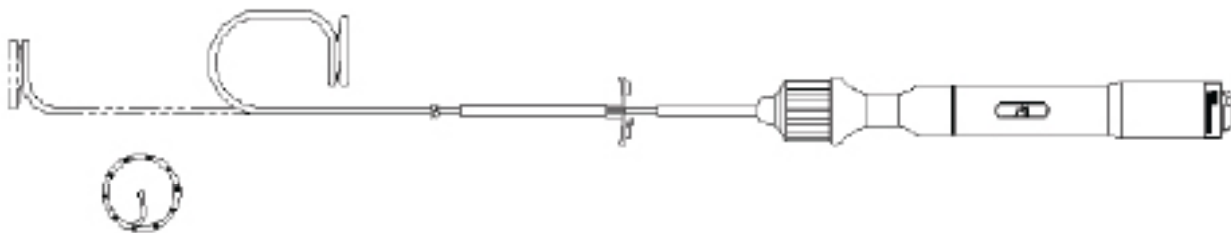
REORDER NUMBER	DESCRIPTION	NUMBER OF ELECTRODES	ELECTRODE SPACING (MM)	LOOP DIAMETER (MM)	USABLE LENGTH (CM)
IBI-81659	1120-7-1(4.5)-SM-OPT25-EB*	20	1 – 4.5 – 1	15 – 25	110
IBI-81683	1120-7-1(4.5)-SM-OPT25	20	1 – 4.5 – 1	15 – 25	110
IBI-81687	1110-7-7-SM-OPT25	10	7	15 – 25	110
IBI-81767	1110-7-7-SM-OPT25EB*	10	7	15 – 25	110
IBI-81664**	1120-7-1(7)-SM-OPT30EB*	20	1-7-1	20 – 30	110

Note: **EB” designates catheter configuration with extended braiding to the distal shaft.

Note: **Catheter configuration includes short handle with external connector.

Required Catheter Connecting Cables – Page C.72

REORDER NUMBER	MODEL NUMBER	DESCRIPTION	LENGTH (M)
IBI-85954	1910-SA	10-Pin Diagnostic Connecting Cable	1.5
IBI-85931	1924-S	24-Pin Diagnostic Connecting Cable	1.5
IBI-85930	1910-S	10-Pin Diagnostic Connecting Cable	1.5



Inquiry™ Electrophysiology Catheter

Inquiry™ Optima™ PLUS
(5 F Loop) Catheter
7 F

Product Highlights

- Supplemental shaft electrodes increase visibility
- Enhanced visualization when used with EnSite™ NavX™ Navigation and Visualization Technology
- 5 F loop
- Deflectable distal tip to a true 180°
- 1 mm band electrode
- Uni-directional 180 degree deflection

Ordering Information

7 F Optima™ PLUS catheter (1 unit per box)

REORDER NUMBER	DESCRIPTION	NUMBER OF ELECTRODES	ELECTRODE SPACING (MM)	LOOP DIAMETER (MM)	USABLE LENGTH (CM)
IBI-81717	1124-7-1(4.5)20(3)-SM-OPT25	24	1-4.5-1	15 – 25	110

Required Catheter Connecting Cables – Page C.72

REORDER NUMBER	MODEL NUMBER	DESCRIPTION	LENGTH (M)
IBI-85931	1924-S	24-Pin Diagnostic Connecting Cable	1.5



Reflexion Spiral™ Variable Radius Catheters

5 F and 6 F Loop Bi-directional
7 F

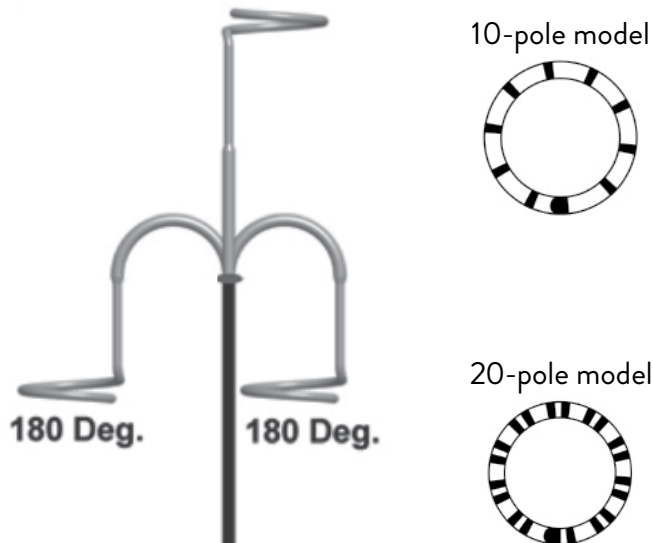
Product Highlights

- Perpendicular plane between hoop and shaft
- Variable radius spiral curve to best fit patient anatomy
- Bi-directional shaft deflection
- 10-pole (with 5 F loop) and 20-pole (with 6 F loop) models
- Diameter adjusts from 15 mm to 25 mm
- Single handed operation with auto-lock steering to maintain position
- 1 mm band electrodes
- 2 mm tip electrode

Ordering Information

7 F Spiral Catheters (1 unit per box)

REORDER NUMBER	POLES	ELECTRODE SPACING (MM)	DISTAL REACH	USABLE LENGTH (CM)	REQUIRED CATHETER EXTENSION CABLE
D402893	20	1-4-1	Symmetric	99	401661
D402865	10	6.3	Symmetric	99	401972, 401976, 401977



Reflexion Spiral™ Variable Radius Catheter

6 F Loop Bi-directional
7 F

Product Highlights

- Variable radius spiral curve to accommodate varying patient anatomy
- Diameter adjusts from 15 mm to 25 mm
- Single-handed operation with Auto-lock steering to maintain position
- Braided shaft for maneuverability
- Intuitive to use and ergonomically designed ComfortGrip™ Handle
- 1 mm band electrodes
- 2 mm tip electrode

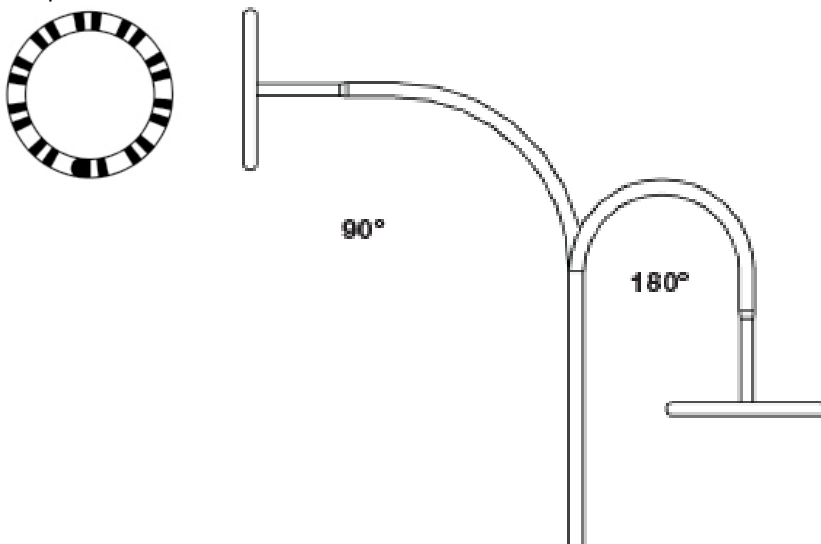
Ordering Information

7 F Duo-Decapolar Spiral catheter (1 unit per box)

REORDER NUMBER	POLES	ELECTRODE SPACING (MM)	DISTAL REACH	USABLE LENGTH (CM)	REQUIRED CATHETER EXTENSION CABLE
402804	20	1-4-1	Asymmetric	99	401661



20-pole model



Sensor Enabled™ Diagnostic Connecting Cable

Product Highlights

- Color-coded cables available for easy identification
- Guided channel for fast, convenient connection
- Clearly labeled terminal pins
- Connects to EnSite Precision™ cardiac mapping system and MediGuide™ technology

Ordering Information

Contents: Sensor Enabled™ diagnostic connecting cable (1 unit per box)

REORDER NUMBER	DESCRIPTION	LENGTH (M)
D-AVSE-CBL12	12-Pin Sensor Enabled™ Diagnostic Catheter Cable	1.5



Inquiry™ Diagnostic Connecting Cables

Product Highlights

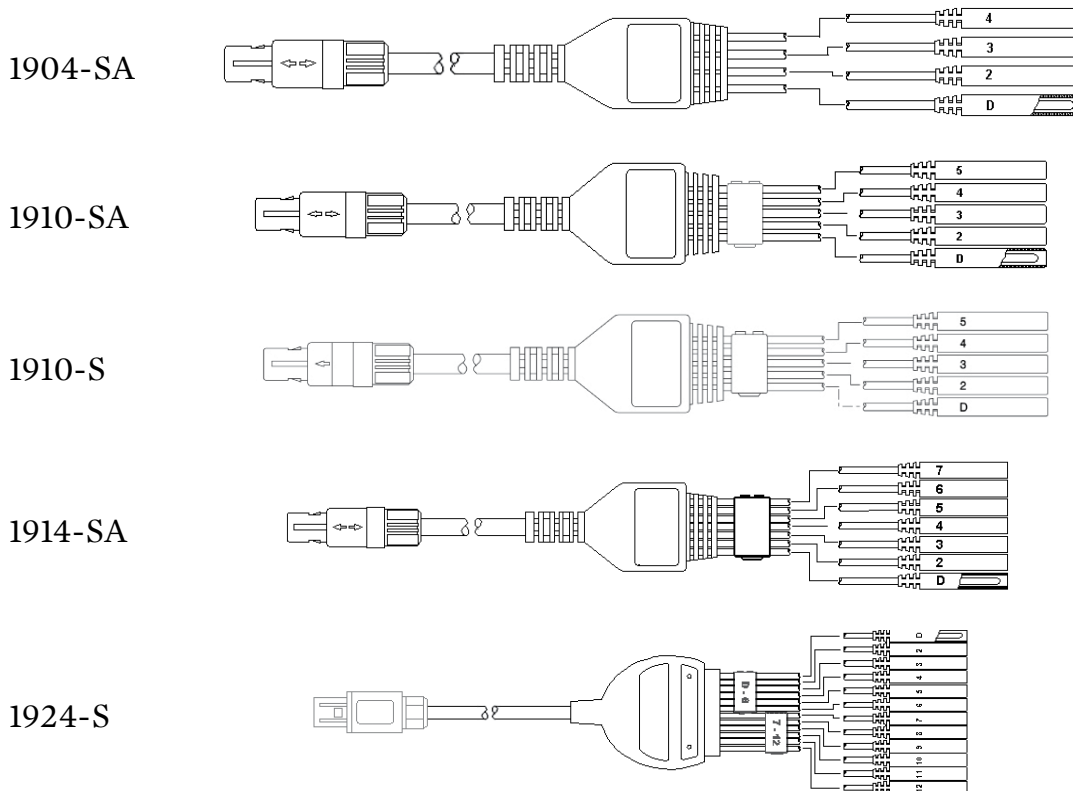
- Color-coded cables available for easy identification
- Guided channel for fast, convenient connection
- Clearly labeled terminal pins

Ordering Information

Diagnostic connecting cable (1 unit per box)

REORDER NUMBER	MODEL NUMBER	DESCRIPTION	USABLE LENGTH (CM)
IBI-85953	1904-SA	4-Pin Diagnostic Connecting Cable	1.5
IBI-85954	1910-SA	10-Pin Diagnostic Connecting Cable	1.5
IBI-85930	1910-S	10-Pin Diagnostic Connecting Cable	1.5
IBI-85955	1914-SA	14-Pin Diagnostic Connecting Cable	1.5
IBI-85931	1924-S	24-Pin Diagnostic Connecting Cable	1.5

Note: "SA" means "Shrouded Autoclavable" cable



Diagnostic Connecting Cables: Livewire™, Reflexion™ HD, Reflexion Spiral™, Response™

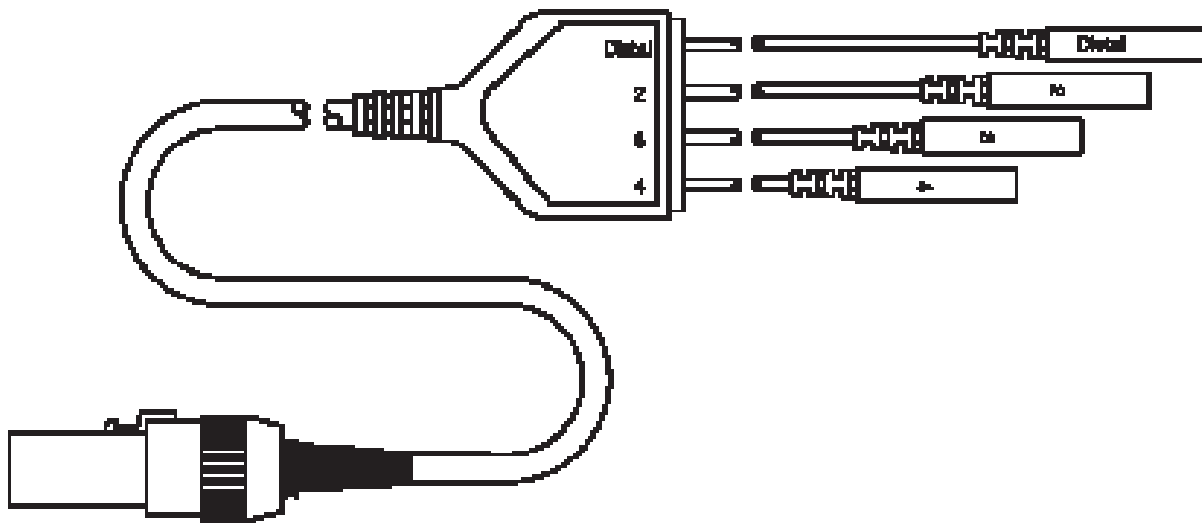
Product Highlights

- Colored cables available for easy identification during multiple-catheter procedures
- Guided channel for fast, convenient connection
- Push button release
- Clearly labeled terminal pin
- 24K gold-plated pins
- Shrouded 2 mm pin connector leads

Ordering Information

Extension cable (1 unit per box)

REORDER NUMBER	COLOR	CONNECTS THESE CATHETERS	USABLE LENGTH (CM)
401970	Black	Bipolar and Quadripolar	150
401973	Blue	Bipolar and Quadripolar	150
401974	Grey	Bipolar and Quadripolar	150
401975	Red	Bipolar and Quadripolar	150
401971	Black	Hexapolar	150
401972	Black	Hexapolar, Octapolar and Decapolar	150
401977	Red	Hexapolar, Octapolar and Decapolar	150
401976	Black	Hexapolar, Octapolar and Decapolar	210
401661	Black	Duo-Decapolar	150



Supreme™ Diagnostic Connecting Cables

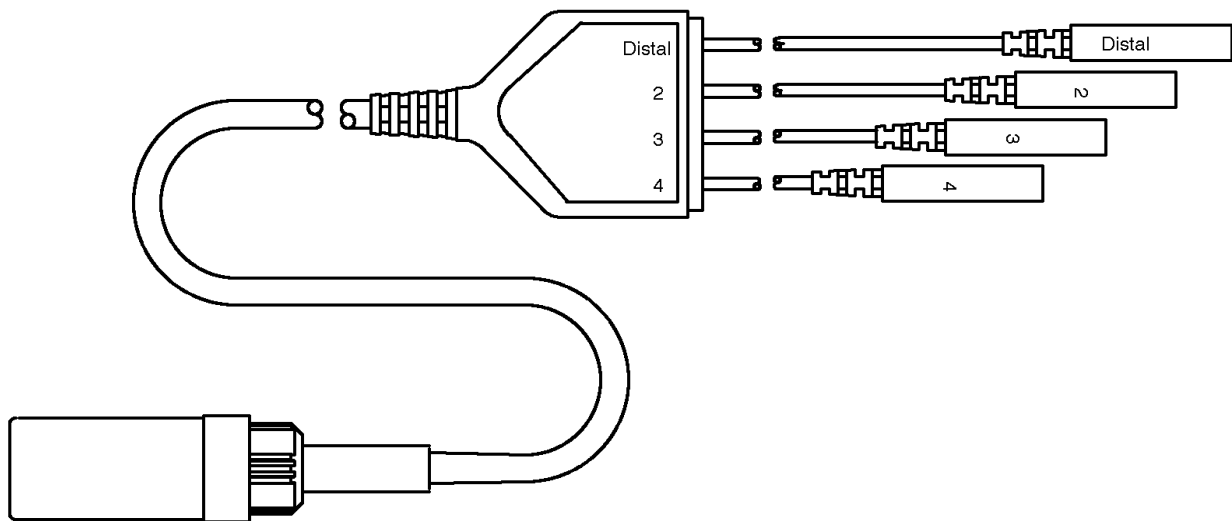
Product Highlights

- Colored cables available for easy identification during multiple-catheter procedures
- Guided channel for fast, convenient connection
- Clearly labeled terminal pins
- 24K gold-plated pins
- Shrouded 2 mm pin connector leads

Ordering Information

Extension cable (1 unit per box)

REORDER NUMBER	COLOR	CONNECTS THESE SUPREME™ CATHETERS	USABLE LENGTH (CM)
401980	Black	Bipolar and Quadripolar	150
401981	Blue	Bipolar and Quadripolar	150
401982	Grey	Bipolar and Quadripolar	150
401983	Red	Bipolar and Quadripolar	150
401984	Black	Hexapolar	150
401985	Black	Octapolar and Decapolar	150
401986	Black	Octapolar and Decapolar	210



ADVANCED MAPPING CATHETERS

HD Mapping Catheters

Advisor™ HD Grid Mapping Catheters, Sensor Enabled™ D.3
Inquiry™ Electrophysiology Catheters D.4
Reflexion™ HD High Density Catheter D.5
Livewire™ Electrophysiology Catheters D.6

Advanced Mapping Catheter Connecting Cables

Diagnostic Connecting Cables: Livewire™, Reflexion™ HD..... D.7

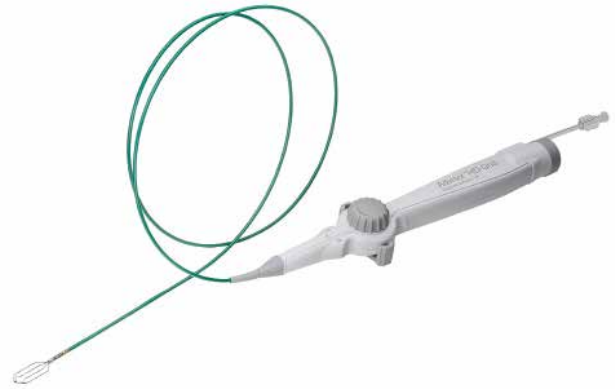
Fixed and Steerable Diagnostic Connecting Cable

Inquiry™ Diagnostic Connecting Cable D.8
Advisor™ HD Grid Mapping Catheter, Sensor Enabled™ D.9



Advisor™ HD Grid Mapping Catheter

Sensor Enabled™



Product Highlights

- High density mapping catheter for left atrial and ventricle mapping
- Integrates with EnSite Precision™ cardiac mapping system
- Equidistant spacing along and across the spline
- 1 mm electrodes

Ordering Information

Contents: 8 F grid mapping catheter

REORDER NUMBER	DESCRIPTION	CURVE	NUMBER OF ELECTRODES	GRID ELECTRODE SPACING	GRID DIMENSIONS	USABLE LENGTH
D-AVHD-DF16	Sensor Enabled™ Bi-D High Density Mapping Catheter	DF	Grid: 16 Shaft: 2	3 mm equidistant spacing	13x13 mm ²	105

Required Catheter Connecting Cable

REORDER NUMBER	DESCRIPTION	LENGTH (M)
D-AVSE-CBL22	22-Pin Sensor Enabled™ Diagnostic Catheter Cable	1.5

Inquiry™ Electrophysiology Catheter

Inquiry™ AFocus II™
(4 F Double Loop) Catheter
7 F

Product Highlights

- Highly detailed maps in a localized region
- Suitable for geometry creation, mapping and confirmation of electrical block
- 180 degree deflection to facilitate placement

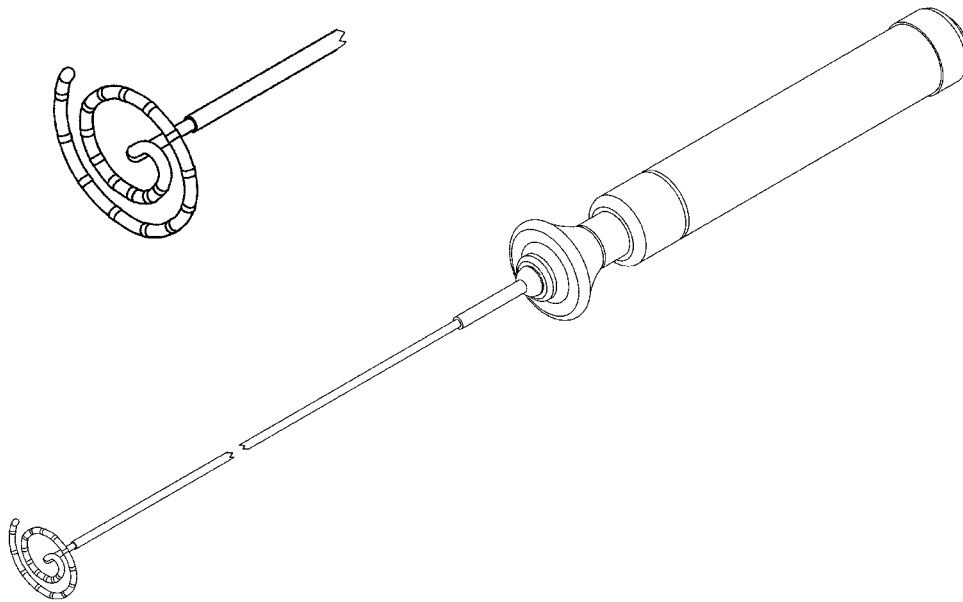
Ordering Information

7 F AFocus II catheter with 4 F double loop (1 unit per box)

REORDER NUMBER	DESCRIPTION	NUMBER OF ELECTRODES	ELECTRODE SPACING (MM)	LOOP DIAMETER (MM)	USABLE LENGTH (CM)
IBI-87008	1120-7-4-SM-AF20DL	20	4	20	110

Required Catheter Connecting Cables

REORDER NUMBER	MODEL NUMBER	DESCRIPTION	LENGTH (M)
IBI-85931	1924-S	24-Pin Diagnostic Connecting Cable	1.5



Reflexion™ HD High Density Catheter

5 F Loop Bi-directional
7 F

Product Highlights

- High density collection of points in a localized region
- Suitable for geometry creation, mapping and confirmation of electrical block
- Bi-directional deflection – 180 degrees in both directions

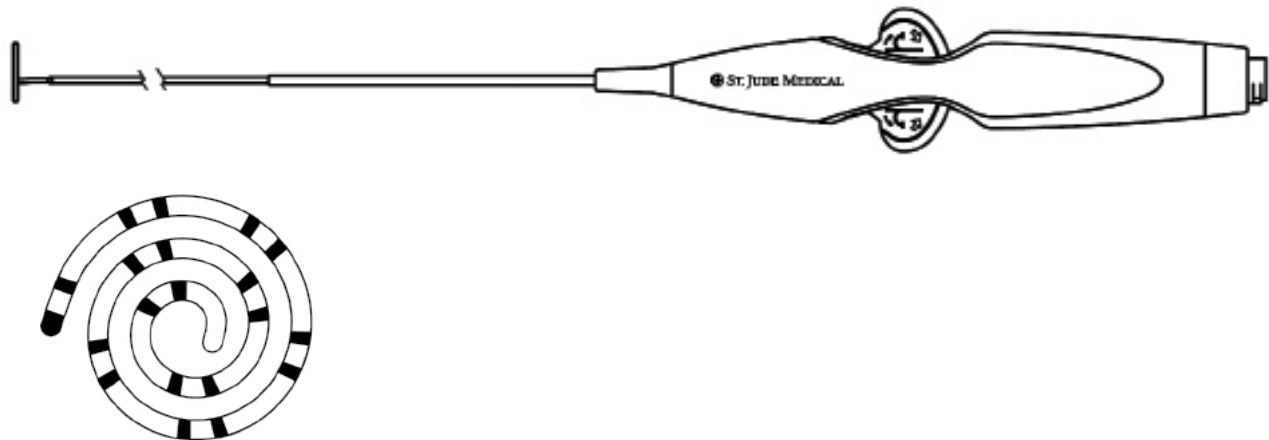
Ordering Information

7 F Bi-directional High Density Catheter (1 unit per box)

REORDER NUMBER	FRENCH SIZE (LOOP)	NUMBER OF ELECTRODES	ELECTRODE SPACING (MM)	OUTER DIAMETER (MM)	DISTAL REACH	USABLE LENGTH (CM)
D402864	5	20	2-7-2	25	Symmetric	99

Required Catheter Connecting Cables

REORDER NUMBER	MODEL NUMBER	DESCRIPTION	LENGTH (M)
401661	Black	Duo-Decapolar	150



Livewire™ Electrophysiology Catheter

Duo-Decapolar (20 electrodes)
7 F

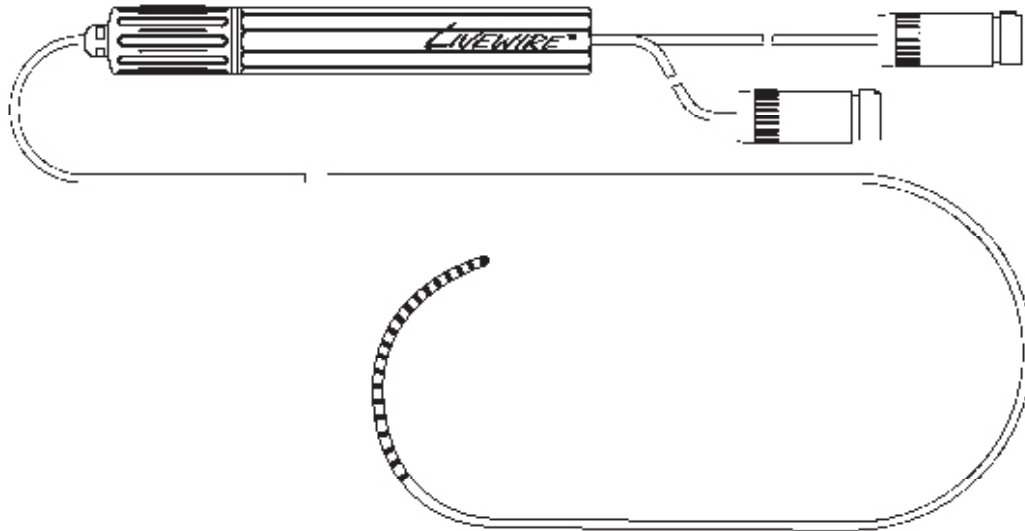
Product Highlights

- Ergonomic handling
- Rotary dial designed for fine tip movements
- Color-coded cables for convenience
- 1 mm band electrodes

Ordering Information

7 F Duo-Decapolar catheter (1 unit per box) Note: Requires two catheter extension cables

REORDER NUMBER	FRENCH SIZE	ELECTRODE SPACING (MM)	TIP ELECTRODE (MM)	DISTAL REACH	USABLE LENGTH (CM)
401908	7	2-2-2	2	Medium Curl	115



Diagnostic Connecting Cables: Livewire™, Reflexion™ HD

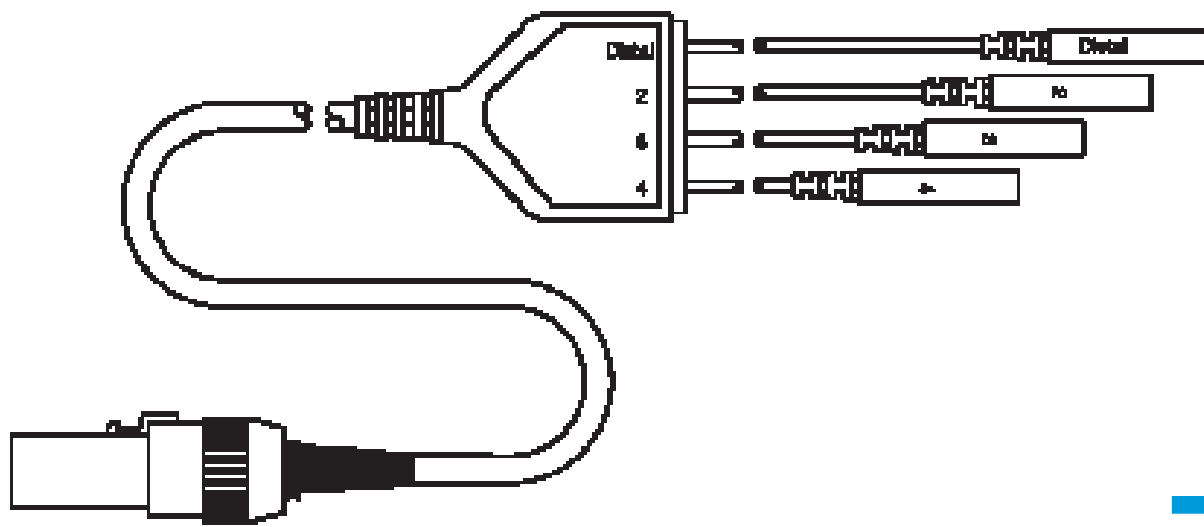
Product Highlights

- Colored cables available for easy identification during multiple-catheter procedures
- Guided channel for fast, convenient connection
- Push button release
- Clearly labeled terminal pin
- 24K gold-plated pins
- Shrouded 2 mm pin connector leads

Ordering Information

Extension cable (1 unit per box)

REORDER NUMBER	COLOR	CONNECTS THESE CATHETERS	USABLE LENGTH (CM)
401972	Black	Hexapolar, Octapolar and Decapolar	150
401977	Red	Hexapolar, Octapolar and Decapolar	150
401976	Black	Hexapolar, Octapolar and Decapolar	210
401661	Black	Duo-Decapolar	150



Inquiry™ Diagnostic Connecting Cable

Product Highlights

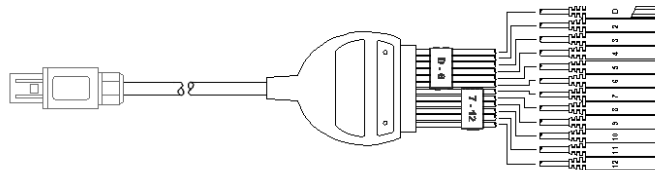
- Color-coded cables available for easy identification
- Guided channel for fast, convenient connection
- Clearly labeled terminal pins

Ordering Information

Diagnostic connecting cable (1 unit per box)

REORDER NUMBER	MODEL NUMBER	DESCRIPTION	USABLE LENGTH (CM)
IBI-85931	1924-S	24-Pin Diagnostic Connecting Cable	1.5

1924-S



Advisor™ HD Grid Mapping Catheter

Sensor Enabled™



Product Highlights

- High density mapping catheter for atrial and ventricle mapping
- Integrates with EnSite Precision™ cardiac mapping system
- Equidistant spacing along and across the spline
- 1 mm electrodes

Ordering Information

Contents: 8 F grid mapping catheter

REORDER NUMBER	DESCRIPTION	CURVE	NUMBER OF ELECTRODES	GRID ELECTRODE SPACING	GRID DIMENSIONS	USABLE LENGTH
D-AVHD-DF16	Sensor Enabled™ Bi-D High Density Mapping Catheter	DF	Grid: 16 Shaft: 2	3 mm equidistant spacing	13x13 mm ²	105

Required Catheter Connecting Cable

REORDER NUMBER	DESCRIPTION	LENGTH (M)
D-AVSE-CBL22	22-Pin Sensor Enabled™ Diagnostic Catheter Cable	1.5

INTRACARDIAC IMAGING

Intracardiac Echocardiography (ICE)

ViewMate™ Ultrasound Console E.3
ViewFlex™ Xtra ICE Catheters E.4



ViewMate™

Ultrasound Console

Description

The ViewMate™ Ultrasound Console is a fully featured, compact console that quickly delivers high fidelity imaging to assist clinicians performing complex electrophysiology and interventional procedures. When the console is paired with a ViewFlex™ Xtra ICE Catheter, clinicians may visualize cardiac structures, blood flow and other devices within the heart.

Product Highlights

- Fully connectable with DICOM and network capabilities
- Multiple imaging modes, including 2-D, M-Mode, Pulsed Wave, Color Doppler and others
- Software-based architecture for rapid image optimization
- Enhanced far-field resolution enables assessment of distal devices and structures
- Multi-Transducer Port (MTP) – up to three transducers connected simultaneously
- Easy-to-move console with small footprint
- Rapid bootup time enables quick start to imaging

Ordering Information

REORDER NUMBER	DESCRIPTION
H701336	ViewMate™ Ultrasound Console with Integrated Battery Pack
H702084	P8-3 TEE: Transesophageal Transducer
600023051	L8-3: Linear Transducer
100042741	P4-1C: Transthoracic Transducer
H701554	Transthoracic Transducer
600023051	A2CW: Continuous Wave Transducer
600023347	ECG Accessory Cable
D087031	ViewFlex™ Xtra ICE Catheter
H701564	ViewFlex™ Catheter Interface Module (CIM) Mounting Kit, U.S.
H701374	ViewFlex™ Catheter Interface Module (CIM) for ViewMate™



ViewFlex™ Xtra

ICE Catheter

Description

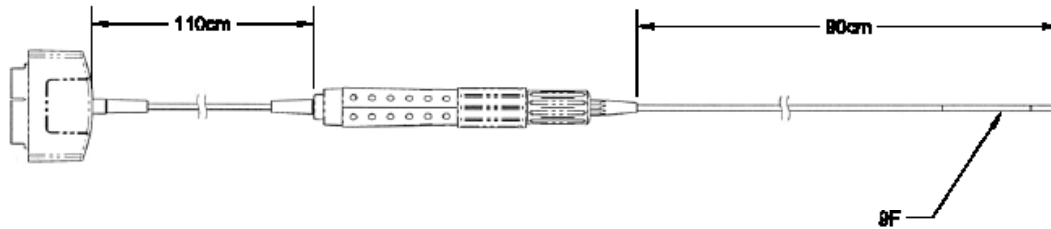
The ViewFlex™ Xtra ICE Catheter is a temporary intracardiac ultrasound catheter indicated for use in adult and adolescent pediatric patients to visualize cardiac structures, blood flow and other devices within the heart when connected to ViewMate™ ultrasound console via the ViewFlex™ Catheter Interface Module.

Product Highlights

- Single-handed, self-locking steering
- 9 F catheter size
- 10 F introducer
- 90 cm insertable length
- Four-way tip deflection, anterior/posterior, left/right
- 120 degree tip deflection
- 64 element phased array

Ordering Information

REORDER NUMBER	DESCRIPTION
D087031	ViewFlex™ Xtra ICE Catheter
H701375	ViewFlex™ Catheter Interface Module for Philips† CX50 System



Cardiac Mapping System

EnSite Precision™ Cardiac Mapping System F.3
Expansion Modules for Legacy EnSite™ Velocity™ Cardiac Mapping System F.4

HD Monitor

VantageView™ System F.5

Extended Service Plans

Abbott's Assurance™ Plus Service and Technology Programs..... F.6



EnSite Precision™

Cardiac Mapping System

Description

The EnSite Precision™ Cardiac Mapping System is a catheter navigation and mapping system capable of displaying the three-dimensional (3-D) position of conventional and sensor-enabled electrophysiology catheters, as well as displaying cardiac electrical activity as waveform traces and as dynamic 3-D isopotential maps of the cardiac chamber. The contoured surfaces of these 3-D maps are based on the anatomy of the patient’s own cardiac chamber. Various software expansion modules and warranties are available.

Product Highlights

- Features an open platform that is compatible with almost any EP catheter and most EP lab equipment
- EnSite™ Contact Force Module with the AutoMark feature allows for enhanced visualization and evaluation in real-time, or review and displays the contact force of compatible ablation catheters
- The EnSite™ AutoMap Module automates the point collection process, based on the user-defined settings. As the catheter is moved, points are collected when the user-defined settings are met
- Impedance-field flexibility plus magnetic-field stability

Ordering Information

The EnSite Precision™ System is comprised of three groups of components; the EnSite™ Amplifier, the display workstation and the EnSite Precision™ Module. The system includes the EnSite™ Courier™ PACs Module v3.0, EnSite™ Derexi™ Module v.1.3.1, EnSite™ Verismo™ Module v.2.0.1 and EnSite™ Fusion™ Module v.7.1. Disposable components and expansion modules commonly used with the system are listed below.

REORDER NUMBER	DESCRIPTION
n/a	EnSite Precision™ Cardiac Mapping System (with software v.2.0.1)
H702496	EnSite Precision™ Module Software
H702470	EnSite Precision™ Module Hardware
EN0020-P	EnSite Precision™ Surface Electrode Kit
H702498	EnSite™ AutoMap Module v.1.0
H702500	EnSite™ Contact Force Module v.2.0
EC1000	EnSite™ Array™ Catheter
AM901	EnSite Precision™ System Assurance Plus Plan
H702533	EnSite Precision™ Adjustable Field Frame Bracket



Expansion Modules for Legacy EnSite™ Velocity™

Cardiac Mapping System

Description

The EnSite™ Velocity™ Cardiac Mapping System is a non-fluoroscopic mapping and catheter navigation system. The System creates three-dimensional (3-D) models that are based on the anatomy of the patient’s own cardiac chamber. Cardiac electrical activity can be displayed as waveform traces or as dynamic activation or voltage maps which are superimposed on the 3-D models. The navigation system displays the real time position of conventional electrophysiology catheters in relation to the 3-D model. The EnSite™ Velocity™ System has been designed for ease-of-use and to enhance procedural lab efficiencies. Various software expansion modules and warranties are available.

Product Highlights

- Facilitates procedures in all chambers of the heart
- Features an open platform that is compatible with almost any EP catheter and most EP lab equipment
- Provides real-time visualization and navigation of up to 128 electrodes on virtually any combination of catheters
- The OneModel Tool enables users to create a precise model of patient cardiac anatomy in less time than previously possible
- OneMap Tool, in conjunction with the OneModel Tool, allows for the simultaneous creation of the desired cardiac model and electrical map in the fewest cardiac cycles
- Supports both contact and non-contact mapping procedures.
- Detailed model creation and a full suite of mapping tools help facilitate all popular treatment strategies

Ordering Information

The EnSite™ Velocity™ System is comprised of two groups of components, the EnSite™ Amplifier, and the display workstation. Disposable components and expansion modules commonly used with the system are listed below.

REORDER NUMBER	DESCRIPTION
H702495	EnSite™ Velocity™ Software v.5.0.1 (upgrade from EnSite™ Velocity™ Software v 4.x)
100003331	Large EnSite™ NavX™ Surface Electrode Kit
H702503	MediGuide™ Module v1.0.1
H702501	EnSite™ Courier™ PACs Module v.3.0
H702502	EnSite™ Derexi™ Module v.1.3.1
H702504	EnSite™ Verismo™ Module v.2.0.1
H702506	EnSite™ Fusion™ Module v.7.1
EC1000	EnSite™ Array™ Catheter



VantageView™ System

Description

The VantageView™ System is a state-of-the-art high definition (HD) monitor that improves the clarity and definition of critical case information in the EP lab. By consolidating video images from multiple technologies into one centralized location, the VantageView™ System can simultaneously display real-time information from cardiac mapping systems, recording systems and ultrasound systems amongst others. The VantageView™ System also includes a convenient touch-panel interface to easily create or modify pre-set views based on user preferences.

Product Highlights

- 3840 x 2160 pixel resolution
- Maintains native aspect ratio of all inputs for optimal image definition
- Digitizes all inputs for highest image clarity and color resolution
- Easy to use Touch Panel allows customization of up to 49 pre-sets
- Video Processing Rack minimizes excess noise
- Patch Point Connection Boxes consolidate cabling to minimize clutter near the monitor
- One-year initial warranty

Ordering Information

58" Quad HD monitor on stand,* two Touch Panels (one mounted bedside, one remote), Video Processing Rack, associated fiber optic hardware and cables for 16 video inputs.

REORDER NUMBER	DESCRIPTION
VS100001	VantageView™ System (120VAC)
A2184201	VantageView™ System, Secondary 58" HD Monitor with Cables (120VAC)



*Boom sold separately. Contact your St. Jude Medical sales representative for details.

Abbott's Assurance™ Plus Service and Technology Programs

Description

The Assurance™ Plus Service and Technology Program provides comprehensive and extended service coverage beyond the initial 12-month warranty for Abbott's capital equipment. Staying current with this program will help ensure that you maximize your capital equipment investment throughout the life of each product.

We provide you with the option to select coverage for specific pieces of equipment or design a comprehensive plan that covers all your Abbott capital equipment. Plans are available in one-, two- or three-year terms.

Product Highlights

- Software revisions and software upgrades are included as part of your Assurance Plus Service and Technology Program. Any software release defined as a new software expansion module is not included and must be purchased separately.
- Response for customers with Abbott's capital equipment covered under this program are as follows:
 - Telephone response from Abbott's Technical Support
 - If required, overnight shipment of replacement parts
 - If needed, a site visit by an Abbott Service Technician
- Service level varies by program tier and geography. Response time is not guaranteed for capital equipment not covered under this program

REORDER NUMBER	DESCRIPTION
AM901	EnSite Precision™ System Assurance™ Plus Plan
CE901	EnSite™ Velocity™ System Assurance™ Plus Plan
VS901	VantageView™ System Assurance™ Plus Plan

RECORDING AND MONITORING

WorkMate Claris™ System

WorkMate Claris™ System G.3
 EP-4™ Cardiac Stimulator G.4
 WorkMate™ Scribe™ Module G.5
 WorkMate™ Unity™ Module G.6
 WorkMate™ ImageSync™ Advanced Image Acquisition Module G.7
 EnSite™ Derexi™ Module G.8

Cables and Components – WorkMate Claris™ and WorkMate™ Scribe™ Systems G.9-G.10

EP-WorkMate™ Recording System

EP-4™ Cardiac Stimulator G.11
 EP-WorkNet™ EP-WorkMate™ Networking Systems G.12
 LinkMate™ Advanced Image Acquisition Module G.13
 Expansion Module EnSite™ Derexi™ Module G.14
 EP-WorkMate™ Recording System Upgrades G.15

Cables and Components – EP-WorkMate™ Systems G.16-G.21

Warranty Programs

Technical Service and Support Abbott’s Assurance Service and Technology Program G.22

Devices

Confirm Rx™ Insertable Cardiac Monitor G.23

WorkMate Claris™ System

Description

The WorkMate Claris™ System is a highly sophisticated, yet simple to use workstation that provides electrogram acquisition while serving as the technology platform for the seamless integration with other systems and products used in the EP lab.

Product Highlights

- ClearWave™ Signal Acquisition Technology provides 32-bit digital electrogram acquisition
- The WorkMate Claris™ System puts everything you need to complete your study right at your fingertips. Hot keys are built into all features of the WorkMate Claris™ System, making it even easier to use the features you need
- The EP-4™ Cardiac Stimulator can be used in a standalone capacity or as a fully integrated component of the WorkMate Claris™ System, providing integrated annotations and the ability to output up to four pacing channels. Fully programmable protocols and accommodations for multiple users create a custom stimulation interface for each specific operator
- Ablation window displays real-time measurements in both graph and numerical form for supported radiofrequency and cryoablation generators
- The WorkMate Claris™ System features real-time analysis intervals that include R-R, A-A, V-V, V-A, stimulation, and pressures waveforms
- Connectivity with existing IT systems is easy, powerful and cost-effective. The WorkMate Claris™ System uses existing IT infrastructure to minimize the complexities and costs associated with a network solution

Ordering Information

WorkMate Claris™ Systems include: Advanced Electrophysiology Signal Processing Computer, Signal Conditioning Unit with ClearWave Signal Acquisition Technology, Integrated 4-Channel EP-4 Stimulator, High-Resolution LCD Monitors (Real Time, Review/Control, and Slave), Laser Printer, Primary and Bedside Carts, All Associated Cables.

REORDER NUMBER	DESCRIPTION
H700150	WorkMate Claris™ System 120 channel system w/ EP-4 Stimulator
H700169	WorkMate Claris™ System 56 channel system w/ EP-4 Stimulator



EP-4™ Cardiac Stimulator

Description

The EP-4™ Cardiac Stimulator features high-speed processing capabilities, an intuitive user interface and an array of time saving key-command shortcuts.

Product Highlights

- The EP-4 Cardiac Stimulator functions as an integrated component with the WorkMate Claris™ System or EP-WorkMate™ Recording System, or as a stand-alone stimulation system
- With six separate users each having nine standard and 10 user-definable protocols, the EP-4™ Stimulator provides maximum versatility
- Operators can control the stimulation protocol through a touchscreen, keyboard, mouse or the WorkMate Claris™ or EP-WorkMate™ Recording System
- Direct AC power reduces the risk of a battery failure during operation

Ordering Information

Contents: EP-4™ Cardiac Stimulators include: EP-4™ Cardiac Stimulator, Touch Screen Stimulator Control, All Associated Cables

REORDER NUMBER	DESCRIPTION
EP-4-04-110	EP-4™ Cardiac Stimulator - 4 Channel (110V) Includes Touch Screen Control
EP-4-04-220	EP-4™ Cardiac Stimulator - 4 Channel (220V) Includes Touch Screen Control



WorkMate™ Scribe™ Module

Description

The WorkMate™ Scribe™ Module is an integrated real-time review station for the WorkMate Claris™ System that allows a separate user to review and edit patient study data stored on the WorkMate Claris™ System and document patient care data during an electrophysiology (EP) study.

Product Highlights

- Electronic monitoring for easy charting and monitoring of patient vital signs and procedure parameters remotely
- Ablation window for review of radiofrequency and cryoablation data
- Charting window specific for patient care documentation
- Review and real-time electrograms
- Procedure log synced with the WorkMate Claris™ System
- Patient monitoring via the physiologic monitoring device
- Patient physiological data window
- Medications window to document medications given
- Single patient record for EP case

Ordering Information

WorkMate™ Scribe™ Modules include: Touchscreen LCD Monitor, Vital Monitor, Keyboard and Mouse Input Devices, Peer-to-Peer Direct LAN Connection to the WorkMate Claris™ System.

REORDER NUMBER	DESCRIPTION
H700118	WorkMate™ Scribe™ Module 220V
H700119	WorkMate™ Scribe™ Module 220V with vitals monitor
H700120	WorkMate™ Scribe™ Module 110V
H700121	WorkMate™ Scribe™ Module 110V with vitals monitor



WorkMate™ Unity™ Module

Description

WorkMate™ Unity™ Modules enable the WorkMate Claris™ System to connect and communicate with IT resources within the hospital.

Product Highlights

- WorkMate™ Unity™ HL-7 Module: Query hospital information systems using HL-7 interface for patient demographic data to eliminate manual data entry time and reduce the potential for errors. At the end of the study, transmit HL-7 encoded reports to the electronic medical records or any HL-7 compliant system.
- WorkMate™ Unity™ DICOM Module: Store and retrieve procedure data onto a PACS to reduce time spent saving cases onto external media, such as DVDs, and archiving the external media in accordance with hospital policies.
- WorkMate™ Unity™ Review Module: Review archived patient data online, eliminating storage space constraints and disk integrity concerns, and allowing sensitive data to be secured within the hospital IT environment.
- Contact your Abbott representative for hardware requirements.

Ordering Information

REORDER NUMBER	DESCRIPTION
H700144-1	WorkMate™ Unity™ Review Module - 1 Software License
H700144-10	WorkMate™ Unity™ Review Module - 10 Software Licenses
H700144-SITE	WorkMate™ Unity™ Review Module - Site License
H700147	WorkMate™ Unity™ HL-7 Module
H700148	WorkMate™ Unity™ DICOM Module

DICOM is a trademark of the National Electrical Manufacturers Association.

WorkMate™ ImageSync™ Advanced Image Acquisition Module

Description

This WorkMate Claris™ System upgrade option allows connections to advanced imaging modalities. This imaging connection enables the creation of color images or loops which are correlated to the patient data acquired with the WorkMate Claris™ System.

Product Highlights

- Easily access clinical images during a procedure, such as from the EnSite™ Velocity™ Cardiac Mapping System or the ViewMate™ Intracardiac Ultrasound System.
- Correlate image data with recorded electrograms.
- Visualize catheter locations in relation to the associated electrograms.
- Easily review cases on one system only — no need to turn on other systems to retrieve critical images.
- Create comprehensive slides detailing multiple aspects of an EP procedure occurring concurrently.
- Access up to two additional color video inputs (VGA or DVI); the WorkMate Claris™ System offers standard imaging capability and includes two composite black-and-white image inputs.

Ordering Information

WorkMate™ ImageSync™ Module includes: Image inputs for two additional sources. Sources may be VGA or DVI.

REORDER NUMBER	DESCRIPTION
H700116	WorkMate™ ImageSync™ Module

EnSite™ Derexi™ Module

Description

The EnSite™ Derexi™ Module is designed to provide seamless communication between the EnSite™ Velocity™ Cardiac Mapping System and WorkMate Claris™ System or EP-WorkMate™ Recording System to improve lab efficiency and manage case information.

Product Highlights

- Automated transfer of patient demographics into EnSite™ Velocity™ System from WorkMate Claris™ or EP-WorkMate™ Recording System.
- Data synchronization between EnSite™ Velocity™ System and WorkMate Claris™ or EP-WorkMate™ Recording System — maps, mapping points and recorded segments of data.
- Comprehensive case reports — EnSite™ Velocity™ System snapshot images are included in the WorkMate Claris™ System case report.
- Review of patient data from either system—updates both EnSite™ Velocity™ System and WorkMate Claris™ or EP-WorkMate™ Recording System
- System to appropriate time segments for comprehensive clinical review.

Ordering Information

Software Installation CD, EnSite™ Derexi™ Software Entitlements, Ethernet Cable, Ethernet Isolator, Instructions for Use.

Pre-requisites for the EnSite™ Derexi™ Module Kit include: EnSite™ Velocity™ System with v.1.2 software or higher, WorkMate Claris™ System or EP-WorkMate™ Recording System with v.4.2 software or higher.

REORDER NUMBER	DESCRIPTION
100082890	EnSite™ Derexi™ Module

Cables and Components

WorkMate Claris™ and
WorkMate™ Scribe™ Systems

PART NUMBER	ITEM
IFU	
100142966	WorkMate Claris™ System v 1.1 IFU - US
100146315	WorkMate Claris™ System v 1.1 IFU - OUS
WorkMate Claris Components	
100043946	WorkMate Claris™ Catheter Interface Module 1 (1-56)
100043947	WorkMate Claris™ Catheter Interface Module 2 (57-120)
06-1708-0000	Monitor Mount Flat Panel Radial Arm
97-1709-0000	Kit, Touch Screen Monitor Mount
100057886	EP-WorkMate/EP-4 USB Keyboard
100098175	Mouse, USB
81-1799-0025	DVD +R DL 25/pack Spindle
100066677	2-Port DVI Video Splitter
100062278	Ferrite 9.85 mm Round Cable Snap-its
100043942	Stim Cable, EP-4
100053803	Media Conv, DB9 to Fiber SC
100053805	Media Conv, SC Fiber to DB9
100044009	Opticis F/O Video Extender M1-201DA-TR
100116664	Converter, Media, 100 Base T to 100 Base F
100068183	Cable, COAX 1-ft
100016650	6-ft DVI-D Single Link Cable
100068174	2 Port USB, DVI, KVM Switch
17-0001-0006	Velcro Dbl-Sided Hook and Loop 5-Ft Blk
32-1620-0000	Screw, Jack w/Hardware 11/16
17-0002-0004	Cable Tie 8-in White
100070654	Power Supply Connector Adapter
100040874	IFU, EP-4 Software V 2.0

Cables and Components

WorkMate Claris™ and
WorkMate™ Scribe™ Systems

PART NUMBER	ITEM
WorkMate™ Scribe™ Components	
100138334	WorkMate™ Scribe™ DWS
17-0001-0006	Velcro Dbl-Sided Hook and Loop 5-Ft Blk
17-0002-0004	Cable Tie 8 inch White
20-1653-0000	Label, SJM Holographic
100043785	Ethernet Switch, Netgear GS105 5-port, G
43-1776-1000	USB Ethernet Adapter 10/100
100070600	Power Conditioner, 120 VAC, 600 VA
100097393	Tripod Mobile Cart POCC
58-1776-0001	CPU Shelf for POCC
58-1776-0002	Mouse Shelf, Swing Out for POCC
100086721	Monitor, Touch Screen LCD, 19 inch
41-06086-001	Isolator, Ethernet, Gigabit
42-04658-013	Cable, Cat 5e Patch, 1-ft, Black
42-04658-012	Cable, CAT5E, 25-ft
42-04658-008	KVM Cable for 4.2 systems, 50-ft Blue CA
42-04658-010	CAT5E, Patch Cable, Blue, 100-ft
97-1535-0001	Kit Monitor Stand
41-05362-001	Power Supply 12V DC Medical Grade
100016318	Power Cord, C-14 to C-13, 250V, 2m
Blood Pressure Cables	
H700151	Cable Assy, IBP, Abbott Transpac IV
H700152	Cable Assy, IBP, Baxter Truwave
H700153	Cable Assy, IBP, Maxxim Cobe
H700154	Cable Assy, IBP, Medex 860
H700155	Cable Assy, IBP, Medex 950
H700156	Cable Assy, IBP, Medex 960
H700157	Cable Assy, IBP, Merit Meritrans
H700158	Cable Assy, IBP, Namic Preceptors DT
H700159	Cable Assy, IBP, Omedha DTXX
H700161	Cable Assy, IBP, Utah Deltran

EP-4™

Cardiac Stimulator
(Legacy Systems)

Description

The EP-4™ Computerized Cardiac Stimulator features high-speed processing capabilities, an intuitive user interface and an array of time saving key-command shortcuts.

Product Highlights

- The EP-4™ Cardiac Stimulator functions as an integrated component with the EP-WorkMate™ Recording System, or as a stand-alone stimulation system.
- With six separate users each having nine standard protocols and 10 user-definable protocols, the EP-4™ Cardiac Stimulator provides maximum versatility.
- Control the stimulation protocol through a touch screen, keyboard, mouse or the EP-WorkMate™ Recording System.
- Direct AC power reduces the risk of a battery failure during operation.

Ordering Information

EP-4™ Cardiac Stimulators include: EP-4™ Cardiac Stimulator, Touch Screen Stimulator Control, All associated cables

MODEL NUMBER	DESCRIPTION
EP-4-04-110	EP-4™ Cardiac Stimulator - 4 Channel (110V) Includes Touch Screen Control
EP-4-04-220	EP-4™ Cardiac Stimulator - 4 Channel (220V) Includes Touch Screen Control



EP-4-04-110

EP-WorkNet™ EP-WorkMate™

Networking Products
(Legacy Systems)

Description

EP-WorkNet™ products enable the EP-WorkMate™ Recording System to connect and communicate with IT resources within the hospital.

Product Highlights

- EP-WorkNet™ Data Manager HL-7 Interface Software. This software suite, installed at the hospital site, allows for the exchange of data between the EP-WorkMate™ Recording System and any HL-7 compliant system.
- EP-WorkNet™ DICOM Interface for Patient Data Storage. This software enables the EP-WorkMate™ Recording System to store and retrieve EP-WorkMate™ study data.
- EP-WorkNet™ Review Client Software. EP-WorkMate™ studies stored on a network or PACs server may be reviewed on existing hardware utilizing this review client software.
- Contact your Abbott representative for hardware requirements

Ordering Information

MODEL NUMBER	DESCRIPTION
WM-05-HL	EP-WorkNet™ Data Manager HL-7 Interface Software
WM-D05	EP-WorkNet™ DICOM Interface for Patient Data Storage
WM-04	EP-WorkNet™ Review Client Software (2 Licenses)
WM-04-01	EP-WorkNet™ Review Client Software (5 Licenses)
WM-04-02	EP-WorkNet™ Review Client Software (Unlimited Licenses)

LinkMate™ Advanced Image Acquisition Module

(Legacy Systems)

Description

This EP-WorkMate™ Recording System upgrade option will allow connections to advanced imaging modalities. This imaging connection will allow for the creation of color images or loops which are correlated to the patient data acquired with the WorkMate Claris™ System.

Product Highlights

- Easily access clinical images during a procedure such as the EnSite™ System, ViewMate™ Ultrasound System.
- Correlate image data with recorded electrograms.
- Visualize catheter locations in relation to the associated electrograms.
- Easily review cases on one system only. No need to turn on other systems to retrieve critical images.
- Create comprehensive slides detailing multiple aspects of an EP procedure occurring concurrently.
- Acquire up to two additional video inputs. Inputs can be VGA, DVI or S-Video.

Ordering Information

LinkMate includes: Image inputs for 2 additional sources. Sources may be VGA, DVI, or S-Video.

MODEL NUMBER	DESCRIPTION
WM-LM	LinkMate™ Advanced Image Acquisition Module (110V)
WM-LM-220	LinkMate™ Advanced Image Acquisition Module (220V)

Expansion Module EnSite™ Derexi™ Module

(Legacy Systems)

Description

The EnSite™ Derexi™ Module is designed to provide seamless communication between the EnSite™ Velocity™ System and EP-WorkMate™ Recording System to improve lab efficiency and manage case information.

Product Highlights

- Automated transfer of patient demographics into EnSite™ Velocity™ System from EP-WorkMate™ Recording System
- Data synchronization between EnSite™ Velocity™ System and EP-WorkMate™ Recording System — maps, mapping points and recorded segments of data
- Comprehensive case reports — EnSite™ Velocity™ System snapshot images are included in the EP-WorkMate™ Recording System case report
- Review of patient data from either system — updates both EnSite™ Velocity™ System and EP-WorkMate™ Recording System to appropriate time segments for comprehensive clinical review

Ordering Information

Software installation CD, EnSite™ Derexi™ Software Entitlements, Ethernet Cable, Ethernet Isolator, Instructions for Use. Pre-requisites for the EnSite™ Derexi™ Module Kit include: EnSite™ Velocity™ System with v.1.2 software or higher, EP-WorkMate™ Recording System with v.4.2 software

MODEL NUMBER	DESCRIPTION
100082890	EnSite™ Derexi™ Module

EP-WorkMate™ Recording System Upgrades

(Legacy Systems)

Description

Several upgrade options are available for the EP-WorkMate™ Recording System.

Product Highlights

- EP-WorkMate™ Recording System v.4 Platform Upgrade. This package upgrades an existing EP-WorkMate™ Recording System v.3 Platform to an EP-WorkMate™ Recording System v.4 Platform. This upgrade includes a new CPU and SCU. EP-WorkMate™ Recording System v.4 Platform does not support the EP-3 stimulator.
- Signal Conditioning Unit (SCU) Upgrade. Increase the number of channels on an existing 24 or 56 channel system to 120 intracardiac channels.
- Software Upgrade. Upgrade the current EP-WorkMate™ Recording System to the latest version of system software. Not applicable for platform upgrades.

Ordering Information

MODEL NUMBER	DESCRIPTION
WMU-08-03	EP-WorkMate™ Recording System Upgrade to v.4 Platform
WMU-08-03-120	(120 Channels)
WM-S105-120B	Upgrade existing SCU to 120 Channels
WMU-08-01	EP-WorkMate™ Recording System Software Upgrade to Current Version

Cables and Components

EP-WorkMate™ Systems

PART NUMBER	ITEM
Primary Components	
100101792	EP-WorkMate™ Primary CPU*
100114609	Signal Conditioning Unit, 120 Channel*
100111228	EP-4™ Stimulator, 4 Channel*
09-1527-0002	EP-4™ Stimulator, 2 Channel*
100056164	EP-4™ Stimulator, Touch Screen Control Computer*
100045908	EP-NurseMate™ Primary CPU*
Manuals	
100046161	EP-WorkMate™ System Manual
100040874	EP-4 Stimulator™ System Manual
04-1776-0001	Card, EP-NurseMate™ Quick Reference Guide
20-1714-1000	Label, Cable ID, Set
Catheter Interface Modules and Accessories	
100034292	Catheter Interface Module - 56 Channel
100034291	Catheter Interface Module - 64 Channel
100034190	Catheter Interface Module - 24 Channel*
100108420	Catheter Interface Module, Reference Jumper Pin
17-0018-0000	Clip, Plastic, SCSI Cable
100078213	Catheter Interface Module, Cable, SCSI, 10'
97-1724-0000	Filter, RF (SCSI Cable), Kit
97-1724-0001	Filter, RF High Power (SCSI Cable), Kit
32-1620-0000	Screw, Jack w/Hardware 11/16
Printers	
100075082	Printer, Color Laser, 110V
100075083	Printer, Color Laser, 220V
43-1705-0001	Cable, USB (A-B), 2meter
Monitors	
100031640	Monitor LCD High Resolution
100086721	Monitor, LCD Touchscreen (for EP NurseMate™)

* Item is available for service replacement only. Return of original component is required

Cables and Components

EP-WorkMate™ Systems

PART NUMBER	ITEM
Monitor Mounting	
97-1535-0000	Kit Monitor Stand LCD EP-WM slave/boom
97-1535-0001	Kit Monitor Stand LCD Pole (for EP-NurseMate™)
97-1709-0000	EP-4™ Pole Mount (pole mount only)
06-1708-0000	Monitor Mount Flat Panel Radial Arm
100056164	EP-4™ Touch Screen Control*
100059043	EP-4™ Touch Screen Attachable Base (base only)
Video Cables and Accessories	
43-0011-0000	Cable, Video, VGA, 5'
43-0010-0001	Cable, Video, VGA, 25'
43-0010-0002	Cable, Video, VGA, 50'
43-0010-0003	Cable, Video, VGA, 100'
43-0051-0000	Cable, Video, VGA, Extension, 10'
51-0015-0001	Video Splitter, VGA, 2:1, 110V
51-0015-5000	Video Splitter, VGA, 2:1, 220V
39-0001-0000	Video Switch Box, A/B
Isolation Transformers	
55-0003-0004	Transformer Isolation 120/120V - 1500W
55-0008-0000	Transformer Isolation 220/230V - 1500W
55-0010-0000	Transformer Isolation 120/120V - 500W
55-0007-0000	Transformer Isolation 220/220V - 500W
55-0011-0000	Transformer Isolation 120/120V - 350W
Serial Cables	
43-0006-0001	Cable Serial Extension 6'
43-0006-0002	Cable Serial Extension 10'
43-0006-0003	Cable Serial Extension 25'
43-0006-0004	Cable Serial Extension 50'
43-0006-0005	Cable Serial Extension 100'
43-1791-0000	Cable, Null Modem, Cryocath
43-0072-0001	Cable, Null Modem, 10 FT
43-1785-0006	Cable, Serial for EP-NurseMate

* Item is available for service replacement only. Return of original component is required

Cables and Components

EP-WorkMate™ Systems

PART NUMBER	ITEM
52-1527-0000	Filter, EMI Wafer D Sub 9 Pin For Serial Cable
52-1620-0000	RF Filter, D-Sub, 9 Pin M/F For Ablation Generator
43-1776-0002	Converter, USB to Serial
43-1702-0000	Ferrite, Clamp-On (Serial Cable)
Ethernet	
43-1684-0008	Cable, Ethernet, 10'
43-1684-0009	Cable, Ethernet, 25'
43-1684-0010	Cable, Ethernet, 50'
43-1685-0011	Cable, Ethernet, 100'
43-1771-0010	Cable, Crossed Ethernet, 10'
43-1771-0025	Cable, Crossed Ethernet, 25'
43-1771-0050	Cable, Crossed Ethernet, 50'
43-1771-0100	Cable, Crossed Ethernet, 100'
43-1776-1000	Adapter, USB to Ethernet
100043785	Ethernet Hub
ECG	
43-0028-0003	ECG Cable Set, Radiopaque AHA (US)
97-0201-0036	ECG Cable Set, Radiolucent, AHA (US) (Full Kit)
43-0028-0004	ECG Cable Leadset, Radiolucent (Set of 10)
43-0090-0000	ECG Cable Bead Markers (Set of 10), AHA (US)
43-1505-0000	ECG Cable Set, Radiopaque, IEC (EU)
43-1734-0000	EMI Ferrite for ECG
52-1735-0000	Filter, EMI Wafer D Sub 15 Pin for ECG Cable
Coaxial Cable / BNC	
43-0002-0001	Cable COAX 8'-0 inch Lg Black
43-0002-0002	Cable COAX 25'-0 inch Lg Black
43-0002-0003	Cable COAX 50'-0 inch Lg Black
43-0002-0004	Cable COAX 100'-0 inch Lg Black
52-0014-0000	BNC "T" Connector
51-1527-0000	Coaxial Attenuator

* Item is available for service replacement only. Return of original component is required

Cables and Components

EP-WorkMate™ Systems

PART NUMBER	ITEM
LinkMate Components	
73-1793-0000	LinkMate Frame Grabber, VGA*
100099976	Adapter, S-Video to VGA
43-0029-0000	Video Cable, S Video, 12'
43-0029-0025	S Video Cable 25'
43-0029-0050	Video Cable, S Video, 50'
100016259	Power Cord, LinkMate™ 220V Powersupply to Reverse IEC, 3'
100016260	Power Supply for LinkMate™ Module, 220V
Philips Cable Assembly for Cockpit and Allura	
97-1747-0010	Philips Cable Assembly, 10'
97-1747-0025	Philips Cable Assembly, 25'
Stimulation Cables	
43-1698-0003	Cable, Stim EP-4 3'
43-1698-0006	Cable, Stim EP-4 6'
43-1698-0015	Cable, Stim EP-4 15'
43-1698-0030	Cable, Stim EP-4 30'
43-1712-0006	Cable, Stim EP-4, GE 6'
43-1712-0015	Cable, Stim EP-4, GE 15'
43-1712-0030	Cable, Stim EP-4, GE 30'
43-0008-0000	Cable, Stimulator EP-4™, Extension 30'
Power Cables	
53-0012-0000	Power Cord, England to Reverse IEC
100016292	Power Cord, EP-NurseMate™ CPU to Reverse IEC, 6ft
53-0013-0000	Power Cord, European 2 Prong to Reverse IEC
53-1634-0006	Power Cord, Hosp. Grade NEMA 5-15 to Reverse IEC, 6'
53-0006-0000	Power Cord, IEC to NEMAS 15PPL, 6'
53-0005-0002	Power Cord, IEC to Reverse IEC, 25'
100016318	Power Cord, IEC to Reverse IEC, 2m
53-0005-0001	Power Cord, IEC to Reverse IEC, 6'
53-0009-0000	Power Cord, IEC to Reverse IEC, 90° Bend
100006040	Power Cord, IEC to C, 6'
100016259	Power Cord, LinkMate 220V Powersupply to Reverse IEC, 3'

* Item is available for service replacement only. Return of original component is required

Cables and Components

EP-WorkMate™ Systems

PART NUMBER	ITEM
53-0015-0000	Power Strip, 2:1, Reverse IEC
53-0001-0000	Power Strip, Reverse IEC
100016291	Power Supply, Ethernet Hub, 220V
100016260	Power Supply, LinkMate, 220V
EP-NurseMate™ Components	
43-1776-1000	Adapter, USB to Ethernet
43-1785-0006	Cable, Serial for EP-NurseMate Station
43-1776-0002	Converter, USB to Serial
87-1785-2000	Physiologic Monitor Calibration Kit
87-1785-0000	Physiologic Monitor, Smith Advisor*
06-1776-0000	Plate, EP-NurseMate™ Remote Review Station Mount for Advisor Physio Module
EP-NurseMate™ Components (cont'd)	
100016292	Power cord, EP-NurseMate™ CPU to Reverse IEC, 6ft
100016291	Power Supply, Ethernet Hub, 220V
100006040	Power cord 6' IEC-60320-c14 to IEC-60320-C
100015428	Screw, Machine 4-40x7/8" phil, panhd, ss
100015427	Screw, Machine, 6-32 x 7/8" phil, panhd
32-1167-0006	Washer, Lock, Internal Tooth #6
Storage Media	
81-1799-0025	DVD +R DL 25/pack spindle
29-0024-0000	Disk, MOD 5.2 GB Windows Format
Pressure Transducer Cables	
09-0038-0000	Pressure - Abbott-II, 2 Channel
09-0037-0000	Pressure - Abbott-IV, 2 Channel
09-0048-0000	Pressure - Abbott-IV, 4 Channel
09-0079-0000	Pressure - Abbott-TP, 2 Channel
09-0039-0000	Pressure - Baxter True Wave, 2 Channel
09-0078-0000	Pressure - Baxter True Wave, 4 Channel
09-0080-0000	Pressure - Becton Dickinson DTXX, 2 Channel
09-0042-0000	Pressure - Becton Dickinson DTXX, 4 Channel

* Item is available for service replacement only. Return of original component is required

Cables and Components

EP-WorkMate™ Systems

PART NUMBER	ITEM
09-0076-0000	Pressure - Maxim-Cobe, 4 Channel
09-1518-0000	Pressure - Medex 860, 2 Channel
09-1525-0000	Pressure - Medex 950, 2 Channel
09-0075-0000	Pressure - Medex 960 - 4 Channel
09-0081-0000	Pressure - Medex 960, 2 Channel
09-0044-0000	Pressure - Merit, 2 Channel
09-0077-0000	Pressure - Merit, 4 Channel
09-0041-0000	Pressure - Naemic DT, 2 Channel
09-0047-0000	Pressure - SIMS/PvB, HT, 2 Channel
09-1520-0000	Pressure - Utah Deltran II, 4 Channel
43-1626-0000	Pressure Test Cable, to 550Ω Test Box
Misc.	
100098175	Mouse, USB
83-0001-0000	Keyboard EP-3 / EP-4
83-0002-0000	Keyboard, PC Standard
100024810	Adapter, BNC-DVI
100057886	EP-4™ USB Keyboard

* Item is available for service replacement only. Return of original component is required

Technical Service and Support Abbott's Assurance Service and Technical Program

Product Highlights

- The Assurance™ Plus Plan covers all service and repair related events and entitles customers to receive any system software upgrade released while the Assurance Plus Plan is active
- The Assurance Plan covers all service and repair related events
- Coverage can be extended on an annual basis

Description

The Assurance Service and Technical program for the EP-WorkMate™ Recording System provides customers with the option of extending their system warranty beyond the standard 12-month post-installation coverage. Two levels of extended coverage are available to best meet specific customer needs.

Ordering Information

REORDER NUMBER	DESCRIPTION
EPWM-SC-1	Assurance Service and Technology Program Plan
EP-4-SC-FS	EP-4™ Cardiac Stimulator Service Plan

Confirm Rx™

Model DM3500
Insertable Cardiac Monitor



Description

The Abbott Confirm Rx™ ICM is designed to detect arrhythmias and wirelessly transmit data to the Merlin.net™ Patient Care Network for the following patients:

Patients who experience transient symptoms that may suggest a cardiac arrhythmia

Patients with clinical syndromes or situations at increased risk of cardiac arrhythmias

Patients who have been previously diagnosed with AF or who are susceptible to developing AF

Product Highlights

Device:

- Small size (~1.4 cc) with slim profile
- Simple insertion procedure requiring minimal time and resources
- Intuitive one-touch programming on the Merlin™ Patient Care System
- Patient activated and auto activated triggers for EGM storage
- Programmable data storage options to ensure capture of significant events while reducing the risk of missing unexpected events

- Proven Abbott SenseAbility™ feature designed to allow accurate sensing over a wide range of signals
- 1.5 T MR Conditional

Mobile App and Connectivity:

- Bluetooth® wireless technology between ICM and myMerlin™ app which patients can download onto their Android‡ mobile device. No need for a separate bedside transmitter or patient activator
- ICM continuously monitors rhythm and myMerlin app proactively transmits data per schedule and alerts set by the clinic
- App features integrated activator functionality, allowing patients to privately record and transmit EGMs during symptoms. No separate activator hardware required
- Notifications inform patients of daily device checks and scheduled transmissions to promote remote monitoring adherence without burdening the clinic
- Transmissions are sent to Merlin.net™ Patient Care Network providing clinicians with data and reports
- App available in 35+ languages to engage patients and provide a personalized experience
- Abbott mobile transmitters may be purchased for patients without their own compatible mobile device*

Ordering Information

Confirm Rx™ Insertable Cardiac Monitor

NAME	MODEL NUMBER	DESCRIPTION	MRI STATUS	X-RAY ID MODEL CODE
Confirm Rx™ ICM	DM3500	Insertable cardiac monitor	1.5 T MR Conditional	CC

